

groël

Artdéco

The modern decor of 1925.

The Artdéco door handle design with elegant styling and rounded profiles, is presented on a round rose. This Italian handle made in forged brass is conceived in several finishes. A classic inspired by the famous 1920s in Paris brimming with ideas.

Available in 2 finishes.

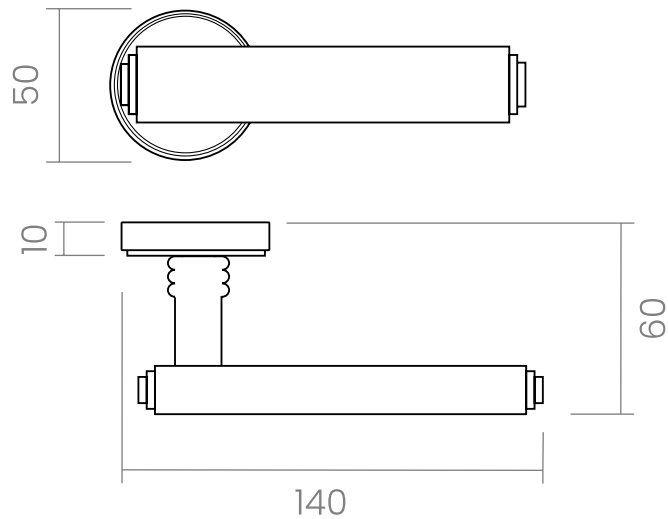


POWERCOAT POLISHED BRASS



POWERCOAT POLISHED NICKEL

groël


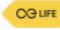




INFO. SPECIFICATIONS

Set of forged brass handles with an 8 mm thick round rose. Suitable for interior and exterior doors with a thickness between 35-50mm (Groël's standard size)* and with any type of lock.

For wider doors (50mm and above) and/or glass doors, please contact our customer service.

INFO. FINISHES & SKU

	PWLP Powercoat polished brass	550-R3-PWLP	
	PWNB Powercoat polished nickel	550-R3-PWNB	

INFO. INCLUDED

- 2x** Lever handles with round rose
- 1x** Square spindle
- 1x** Bag of screws

INFO. CARE INSTRUCTIONS

Clean with a dry cloth. Do not use brass cleaner as it might affect the protective coating.

INFO. DISCLAIMER

Always seek the advice of professionals when installing these handles.

Groël is not responsible for any inadequate installation that may damage the integrity of the product. Finishes other than Groël's Powercoat are not recommended for wet or humid environments.



Production processes follow ecological norms.



Mechanical guarantee far exceed 200.000 operational cycles



Made of solid brass



Powercoat LIFELONG GUARANTEE