

groël

Vol.la

Smooth with finesse and prestige.

The Vol.la door handle design has a meticulous combination between planes and curves, and is presented on a squared rose. This Italian door handle design made in forged brass is conceived for interior and exterior doors in several finishes, achieving a single purpose: design excellence.

Available in 3 finishes.



SATIN CHROME

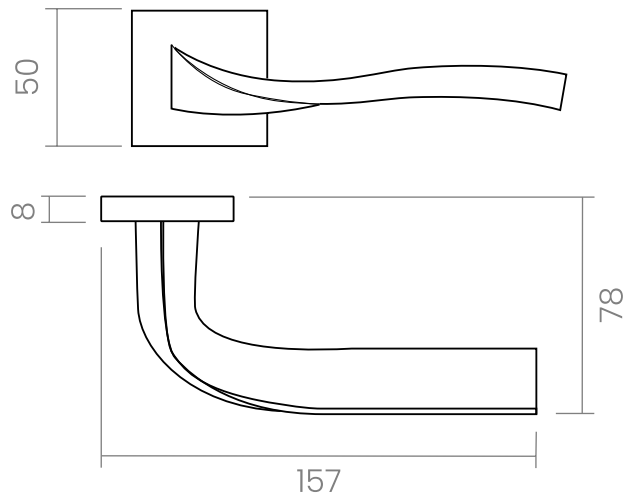


BROWN



POLISHED CHROME

groël








INFO. SPECIFICATIONS

Set of forged brass handles with an 8 mm thick square rose. Suitable for interior and exterior doors with a thickness between 35-50mm (Groël's standard size)* and with any type of lock.

For wider doors (50mm and above) and/or glass doors, please contact our customer service.

INFO. FINISHES & SKU

	CR <i>Polished chrome</i>	219-R8C-CR	
	CS <i>Satin chrome</i>	219-R8C-CS	
	MR <i>Brown</i>	219-R8C-MR	

INFO. INCLUDED

- 2x** Lever handles with square rose
- 1x** Square spindle
- 1x** Bag of screws

INFO. CARE INSTRUCTIONS

Clean with a dry cloth. Do not use brass cleaner as it might affect the protective coating.

INFO. DISCLAIMER

Always seek the advice of professionals when installing these handles. Groël is not responsible for any inadequate installation that may damage the integrity of the product. Finishes other than Groël's Powercoat are not recommended for wet or humid environments.



Production processes follow ecological norms.



Mechanical guarantee far exceed 200.000 operational cycles



Made of solid brass



Chrome III
15 YEARS GUARANTEE



Varnish