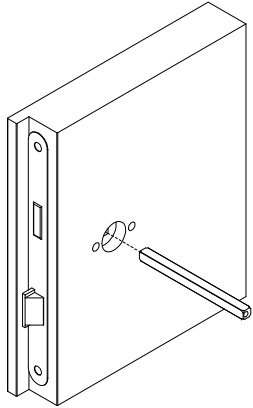
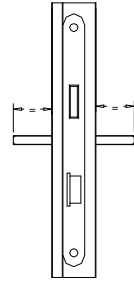


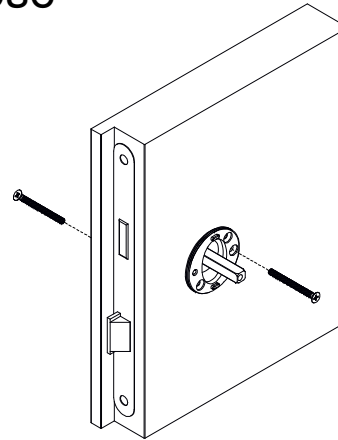
Assembly instructions for 3 piece rose



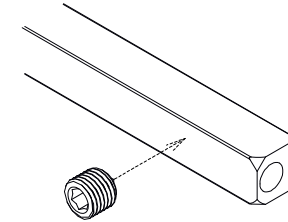
Drill a 19mm hole in the door to allow the spindle to be located through the lock follower.



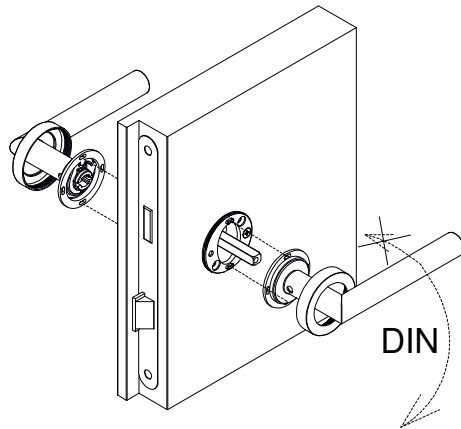
Place the spindle in the lock follower and centre it.



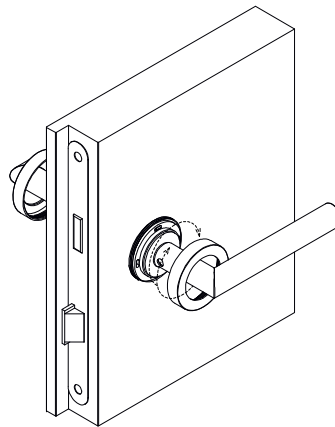
Fix the rose mounting plates (metal) to door and secure with the M4 bolt through fixings



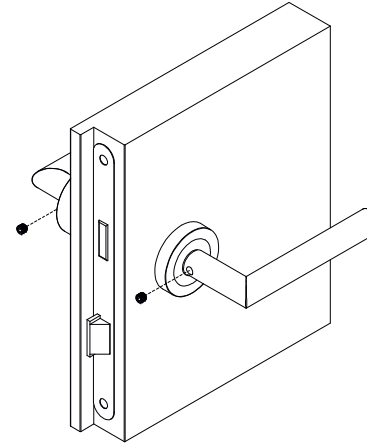
Attention: Insert the spindle in such a way that the point of the grub screw can break through the thinnest side.



Place the lever base rose on the spindle and push onto the mounting plates. Pay attention to the direction of the lever handles ensuring they can be pressed downwards.



Fix with screw-over ring



Tighten the grub screws on both levers ensuring they pierce the spindle.