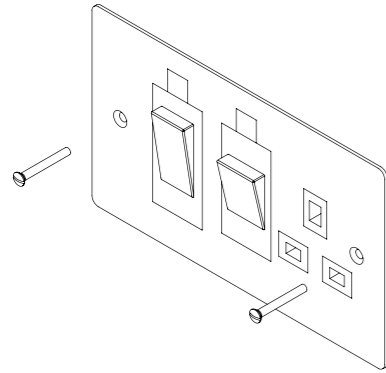


**ALL PARTS INCLUDED:**



EN

**TECHNICAL SPECIFICATION**

COOKER CONTROL UNIT WITH NEON:  
2 GANG  
RATED AT 45A 250V~

**IMPORTANT NOTES**

PLEASE READ BEFORE INSTALLING

These products must be installed in accordance with the latest Building and IEE wiring regulations. If in any doubt, please contact a qualified electrician.

**BACK BOXES**

We recommend you to use a UK back box to install your product. Please note that the minimum recommended depth for the mounting box is 37mm. Back boxes are available to purchase from us, please see recommended sizes below:

PLATE	RECOMMENDED BACK BOX
2G	2G UK Back box – SKU# ELB922

**WARRANTY INFORMATION**

The Warranty Period of Two (2) years from the date of the original purchase.

**RECYCLING ELECTRICAL PRODUCTS**

Buster and Punch encourages all its customers to make note of this symbol and avoid putting any waste electrical goods in your domestic waste bin or container. Please ensure you take your waste electrical goods to a suitable facility for disposal.



**1**



**BEFORE COMMENCING WORK, ISOLATE THE MAINS POWER SUPPLY AND REMOVE THE FUSE IN THE FUSE BOX OR SWITCH OFF THE CIRCUIT BREAKER IN THE CONSUMER UNIT.**



**2**

If unit is to be used as a replacement for an existing product, remove existing unit from its location and disconnect the wiring.



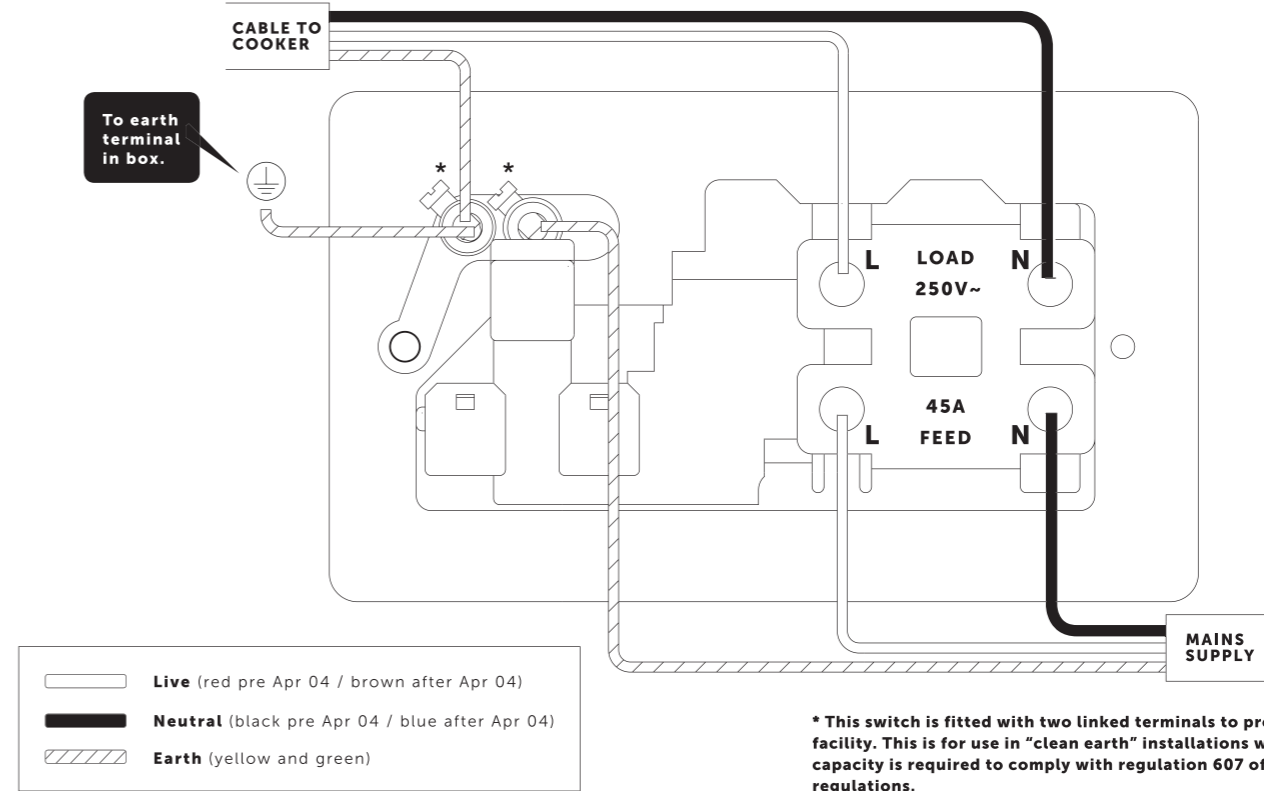
**CAUTION:**  
Verify power is OFF to switch before proceeding.

**3**

Certain items in the range will not fit into a 4 lug box. If such a box has been previously installed the top and bottom lugs should be removed or bent back to avoid contact with the interior.

**4**

Connect the wires as shown in appropriate wiring diagrams. Use green/yellow sleeving on earth conductors. Ensure terminals are properly tightened and no bare wire is visible. Carefully arrange wiring to lie along the edge of the product or box, keep the central area clear. Push back unit into mounting box making sure conductors are not trapped.

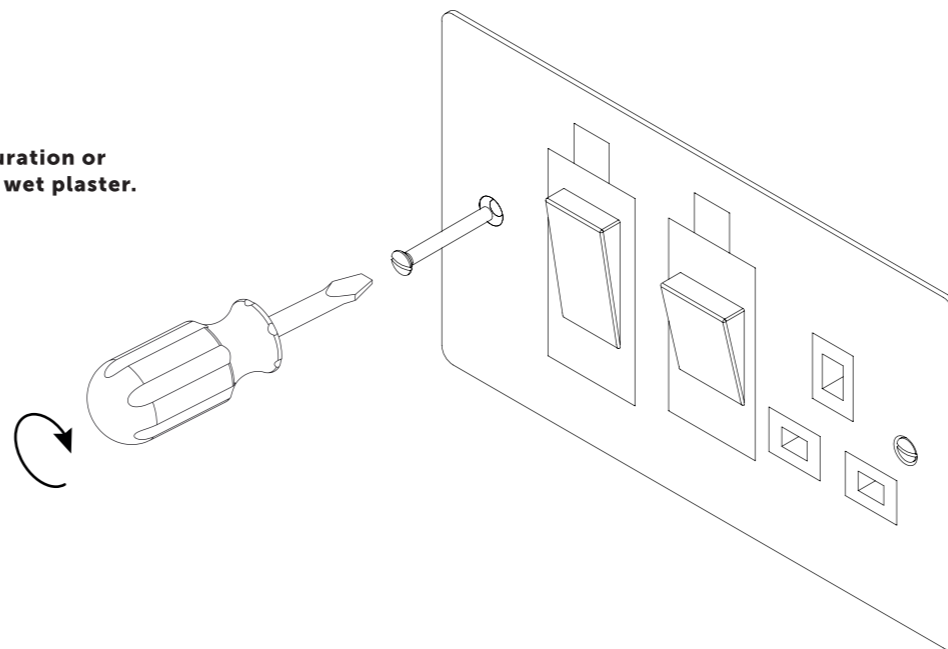


**5**

Use a cross head electric or manual screwdriver to fit the screws until tight.\*



**CAUTION:**  
To reduce the risk of discolouration or tarnishing, avoid installation on wet plaster.



**6**

Turn power back on.



\* Please ensure screws are sufficiently tight to support the product but please do not over tighten as this may cause some deformation to the plate or damage the screw.

# BUSTER + PUNCH

LONDON

## COOKER CONTROL UNIT 45A DP SWITCH + 13A DP OUTLET

TECH SPEC



COOKER CONTROL UNIT  
**BRASS**



COOKER CONTROL UNIT  
**STEEL**

## COOKER CONTROL UNIT 45A DP SWITCH + 13A DP OUTLET

Sleek & slim with softly rounded corners, the Buster and Punch Electricity range combines functionality with stunning good looks. This product is part of an extensive range that transforms forgotten home fittings into unforgettable items.

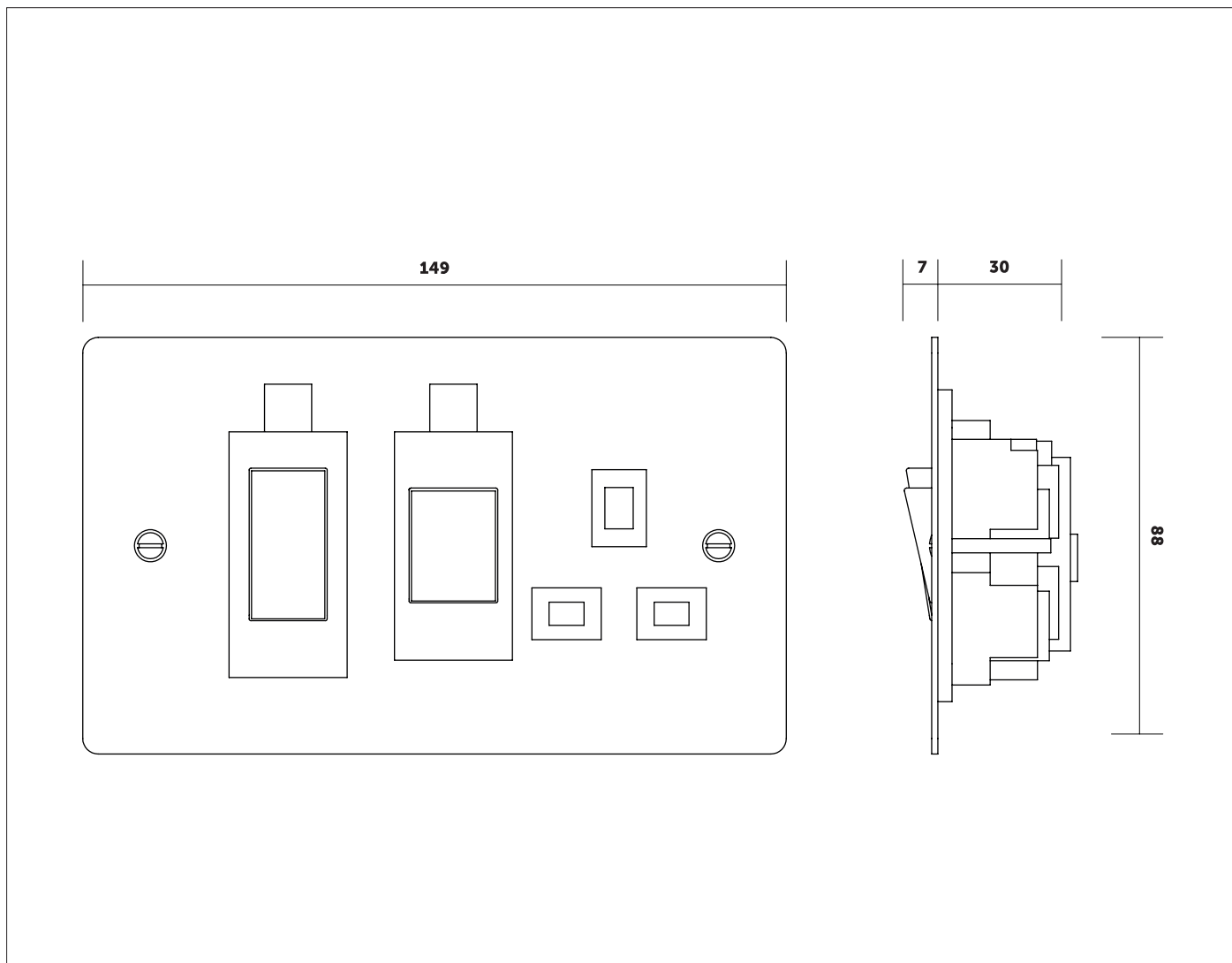
[busterandpunch.com](http://busterandpunch.com)  
[info@busterandpunch.com](mailto:info@busterandpunch.com)

# BUSTER + PUNCH

LONDON

## COOKER CONTROL UNIT 45A DP SWITCH + 13A DP OUTLET

TECH SPEC



FINISH	SKU	SPECIFICATIONS
<div style="display: flex; align-items: center;"> <div style="width: 20px; height: 20px; border: 1px solid black; background-color: white; margin-right: 5px;"></div> <span>white</span> </div>	<b>GTG-14053</b>	Style: 13A double pole switch / 13A socket with neon Current rating: 45A Input: 220/250VAC / 50Hz Class 1 / Must be earthed. Operating Temperature: -5 to +40 C Location: Internal Use Only / IP20  Certification: ASTA Diamond Mark / BS 4177:1992 + Amendments 1, 2, 3, 4  <b>Care instructions</b> Wipe clean with a dry, non-abrasive microfiber cloth. Avoid use of chemical cleaners. Please note that finishes may age naturally with time and regular use.
<div style="display: flex; align-items: center;"> <div style="width: 20px; height: 20px; border: 1px solid black; background-color: steel; margin-right: 5px;"></div> <span>steel</span> </div>	<b>GTG-07052</b>	
<div style="display: flex; align-items: center;"> <div style="width: 20px; height: 20px; border: 1px solid black; background-color: brass; margin-right: 5px;"></div> <span>brass</span> </div>	<b>GTG-05049</b>	
<div style="display: flex; align-items: center;"> <div style="width: 20px; height: 20px; border: 1px solid black; background-color: smoked_bronze; margin-right: 5px;"></div> <span>smoked bronze</span> </div>	<b>GTG-09051</b>	
<div style="display: flex; align-items: center;"> <div style="width: 20px; height: 20px; border: 1px solid black; background-color: black; margin-right: 5px;"></div> <span>black</span> </div>	<b>GTG-02050</b>	

# COOKER CONTROL UNIT

## 45A DP SWITCH + 13A DP OUTLET

### FAQ SHEET

CATEGORY	QUESTION	ANSWER
APPLICATION	What is a cooker control unit?	This unit pairs a 45A double pole cooker switch with a separate 13A switched outlet for high power plug in appliances. These allow safe isolation from the main ring circuit in the event of a fault or for maintenance.
INSTALL	Can I install this unit myself?	We always recommend that our products are installed by a qualified electrician. Always refer to the safety notices within the instruction manual before attempting install.
INSTALL	Will this fit my existing backbox?	2G: W 140mm x H 70mm x D 47mm, square back box. Back boxes can be supplied on request.

#### WEEE directive

Regulations require the recycling of waste from Electrical and Electronic Equipment (European 'WEEE Directive' effective August 2005 -UK WEEE regulations effective 2nd January 2007).

Environment Agency Registered Producer: WEE/MM5108AA

When your product comes to the end of its life or you choose to replace it, please recycle it where facilities exist.  
DO NOT DISPOSE WITH HOUSEHOLD WASTE.