

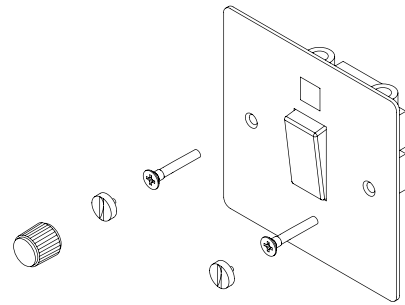
BUSTER + PUNCH
LONDON

ELECTRICITY
COOKER SWITCH



BUSTERANDPUNCH.COM
L0086

ALL PARTS INCLUDED:



EN

TECHNICAL SPECIFICATION

45A DP COOKER SWITCH WITH NEON:
1 GANG
RATED AT 45A DP 250V~

IMPORTANT NOTES

PLEASE READ BEFORE INSTALLING

These products must be installed in accordance with the latest Building and IEE wiring regulations. If in any doubt, please contact a qualified electrician.

BACK BOXES

We recommend you to use a UK back box to install your product. Please note that the minimum recommended depth for the mounting box is 37mm. Back boxes are available to purchase from us, please see recommended sizes below:

PLATE	RECOMMENDED BACK BOX
1G	1G UK Back box – SKU# ELB921

WARRANTY INFORMATION

The Warranty Period of Two (2) years from the date of the original purchase.

RECYCLING ELECTRICAL PRODUCTS

Buster and Punch encourages all its customers to make note of this symbol and avoid putting any waste electrical goods in your domestic waste bin or container. Please ensure you take your waste electrical goods to a suitable facility for disposal.



1



BEFORE COMMENCING WORK, ISOLATE THE MAINS POWER SUPPLY AND REMOVE THE FUSE IN THE FUSE BOX OR SWITCH OFF THE CIRCUIT BREAKER IN THE CONSUMER UNIT.



2

If unit is to be used as a replacement for an existing product, remove existing unit from its location and disconnect the wiring.



CAUTION:
Verify power is OFF to switch before proceeding.

3

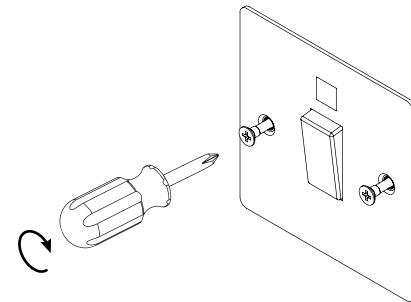
Certain items in the range will not fit into a 4 lug box. If such a box has been previously installed the top and bottom lugs should be removed or bent back to avoid contact with the interior.

5

Use a cross head electric or manual screwdriver to fit the special countersunk screws until tight.*



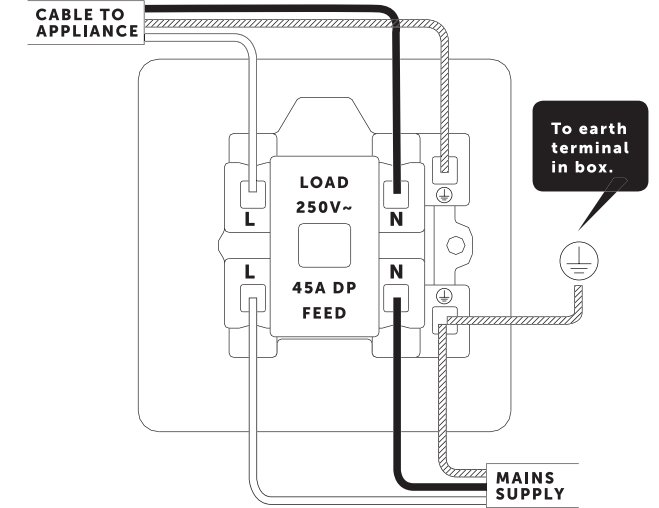
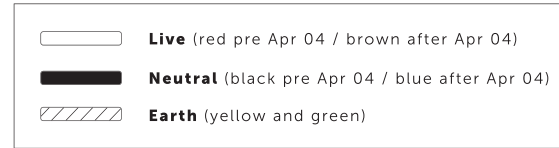
CAUTION:
To reduce the risk of discolouration or tarnishing, avoid installation on wet plaster.



* Please ensure screws are sufficiently tight to support the product but please do not over tighten as this may cause some deformation to the plate or damage the screw.

4

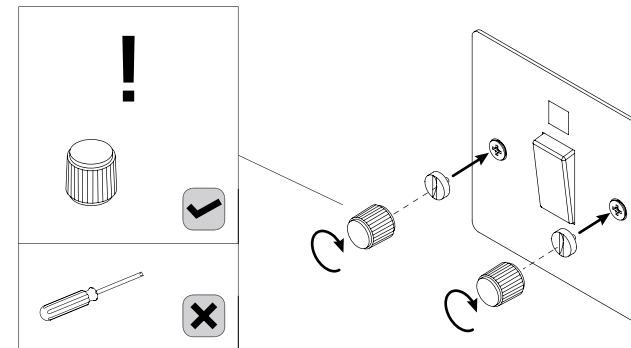
Connect the wires as shown in appropriate wiring diagrams. Use green/yellow sleeving on earth conductors. Ensure terminals are properly tightened and no bare wire is visible. Carefully arrange wiring to lie along the edge of the product or box, keep the central area clear. Push back unit into mounting box making sure conductors are not trapped.



* This switch is fitted with two linked terminals to provide a dual earth facility. This is for use in "clean earth" installations where additional earth capacity is required to comply with regulation 607 of BS 7671 IET wiring regulations.

6

By hand, screw the coin caps into the end of the screws. Use the plastic coin cap tool to fully tighten the coin caps.**



** Do NOT use a standard screw driver to tighten the coin caps. This may damage the cap and is not covered under warranty. Plastic coin cap tool must be used by hand only.

7

Turn power back on.



BUSTER + PUNCH

LONDON

COOKER SWITCH / 45A DOUBLE POLE + NEON

TECH SPEC



COOKER SWITCH / 45A DOUBLE POLE + NEON
BLACK



COOKER SWITCH / 45A DOUBLE POLE + NEON
WHITE

COOKER SWITCH / 45A DOUBLE POLE + NEON

Sleek & slim with softly rounded corners, the Buster and Punch Electricity range combines functionality with stunning good looks. This product is part of an extensive range that transforms forgotten home fittings into unforgettable items. Available in 5 finishes, these solid metal wall plates are finished with our signature penny button screw details.

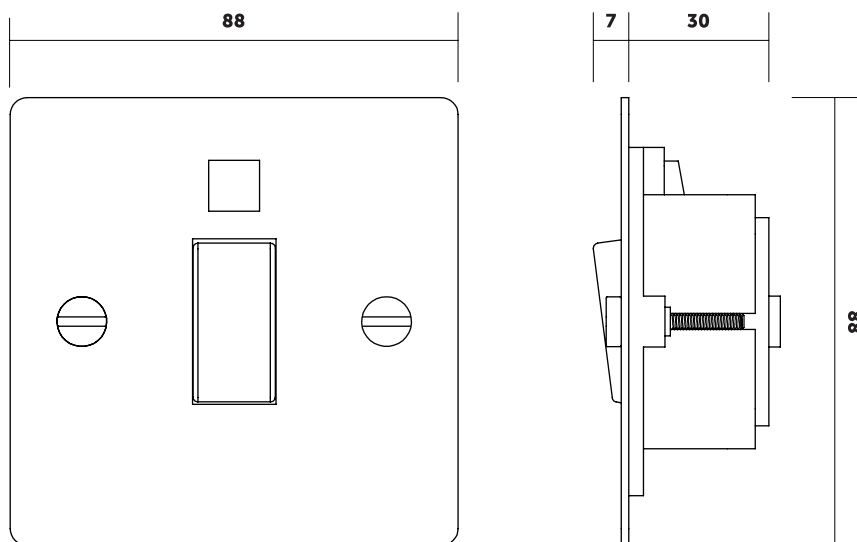
busterandpunch.com
info@busterandpunch.com








LONDON

COOKER SWITCH / 45A DOUBLE POLE + NEON

TECH SPEC



FINISH	SKU	SPECIFICATIONS
 white	GTG-14058	Style: 45A double pole with neon Current rating: 45A Input: 220/250VAC / 50Hz Class 1 / Must be earthed. Operating Temperature: -5 to +40 C Location: Internal Use Only / IP20 Certification: ASTA Diamond Mark / BS EN 60669-1:1999 + A2:2008 Care instructions Wipe clean with a dry, non-abrasive microfiber cloth. Avoid use of chemical cleaners. Please note that finishes may age naturally with time and regular use.
 steel	GTG-07057	
 brass	GTG-05054	
 smoked bronze	GTG-09056	
 black	GTG-02055	

COOKER SWITCH / 45A DOUBLE POLE + NEON

FAQ SHEET

CATEGORY	QUESTION	ANSWER
APPLICATION	What is a 45A Cooker Switch?	Use for appliances where isolation is required from the ring main for maintenance or safety purposes. Typically used for oven cookers due to the high 45A rating.
INSTALL	Can I install a Cooker Switch myself?	We always recommend that our products are installed by a qualified electrician. Always refer to the safety notices within the instruction manual before attempting install.
INSTALL	Will this fit my existing backbox?	1G: W 70mm x H 70mm x D 37mm, square back box. Back boxes can be supplied on request.
CUSTOMISE	Can I customise the appearance of my cooker switch?	Lots of our products are customisable with interchangeable penny button screws available in 5 finishes. Please contact one of our sales representatives for custom requirements.

WEEE directive

Regulations require the recycling of waste from Electrical and Electronic Equipment (European 'WEEE Directive' effective August 2005 -UK WEEE regulations effective 2nd January 2007).

Environment Agency Registered Producer: WEE/MM5108AA

When your product comes to the end of its life or you choose to replace it, please recycle it where facilities exist.
DO NOT DISPOSE WITH HOUSEHOLD WASTE.