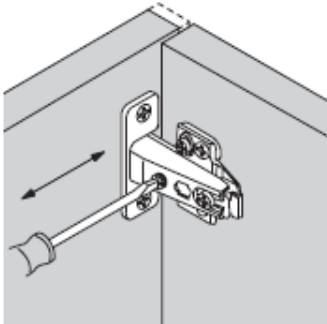
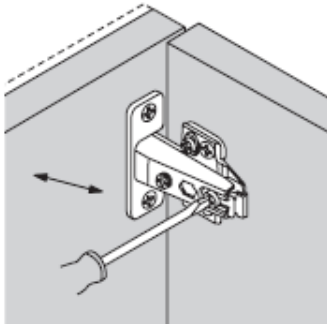
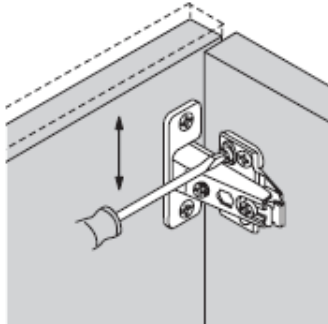
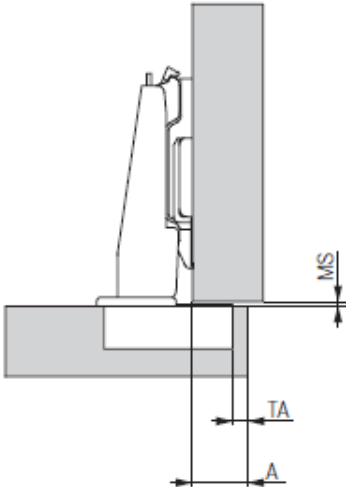




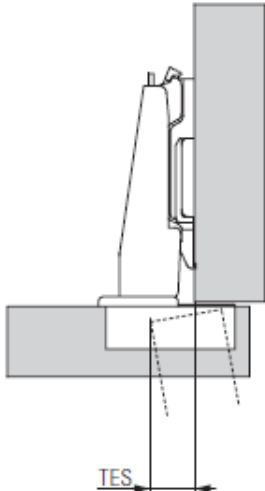
## ADJUSTMENTS

Description	Side adjustment +1/-3 mm	Depth adjustment +3/-1 mm	Height adjustment +/- 2mm
The height adjustment option depends on the type of mounting plate. All adjustments can be carried out independently of each other.			

## MINIMUM GAP – CUP DISTANCE

Description	Example:																																																											
<p><b>The minimum gap (MS)</b> is the clearance required between the front edge of the cabinet and the closed door so that the door can open without hindrance.</p> <p><b>The cup distance (TA)</b> is the distance between the edge of the door and the edge of the cup hole.</p> 	<p>For a <b>door thickness</b> of 26 mm and a <b>cup distance</b> of 6 mm, the <b>minimum gap</b> is 0.7 mm.</p> <table border="1"> <thead> <tr> <th rowspan="2">Door thickness</th> <th colspan="4">Cup distance</th> </tr> <tr> <th>3</th> <th>4</th> <th>5</th> <th>6</th> </tr> </thead> <tbody> <tr><td>16</td><td>0.5</td><td>0.5</td><td>0.5</td><td>0.5</td></tr> <tr><td>18</td><td>0.5</td><td>0.5</td><td>0.5</td><td>0.5</td></tr> <tr><td>19</td><td>0.5</td><td>0.5</td><td>0.5</td><td>0.5</td></tr> <tr><td>20</td><td>0.0</td><td>0.0</td><td>0.0</td><td>0.5</td></tr> <tr><td>22</td><td>0.5</td><td>0.5</td><td>0.5</td><td>0.5</td></tr> <tr><td>24</td><td>0.5</td><td>0.5</td><td>0.5</td><td>0.5</td></tr> <tr><td><b>26</b></td><td>0.5</td><td>0.5</td><td>0.5</td><td><b>0.7</b></td></tr> <tr><td>28</td><td>0.5</td><td>0.5</td><td>0.5</td><td>0.9</td></tr> <tr><td>30</td><td>0.5</td><td>0.5</td><td>1.1</td><td>1.1</td></tr> <tr><td colspan="5" style="text-align: right;">Minimum gap</td></tr> </tbody> </table>	Door thickness	Cup distance				3	4	5	6	16	0.5	0.5	0.5	0.5	18	0.5	0.5	0.5	0.5	19	0.5	0.5	0.5	0.5	20	0.0	0.0	0.0	0.5	22	0.5	0.5	0.5	0.5	24	0.5	0.5	0.5	0.5	<b>26</b>	0.5	0.5	0.5	<b>0.7</b>	28	0.5	0.5	0.5	0.9	30	0.5	0.5	1.1	1.1	Minimum gap				
Door thickness	Cup distance																																																											
	3	4	5	6																																																								
16	0.5	0.5	0.5	0.5																																																								
18	0.5	0.5	0.5	0.5																																																								
19	0.5	0.5	0.5	0.5																																																								
20	0.0	0.0	0.0	0.5																																																								
22	0.5	0.5	0.5	0.5																																																								
24	0.5	0.5	0.5	0.5																																																								
<b>26</b>	0.5	0.5	0.5	<b>0.7</b>																																																								
28	0.5	0.5	0.5	0.9																																																								
30	0.5	0.5	1.1	1.1																																																								
Minimum gap																																																												

## DOOR PROTRUSION / DOOR OVERLAY

Door protrusion	Door overlay																																																											
<p><b>Door protrusion (TES)</b> occurs when the door is opened and varies depending on the type of hinge and method of application.</p> <p>It is shown on each catalogue page and refers to the factory setting with the respective mounting plate shown. It can be altered by using a different mounting plate height and by changing the side adjustment.</p> 	<p>The door overlay (A) is that part of the side wall or frame which is covered by the door.</p> <p><b>Example:</b> With a hinge with cranking size 8, a <b>mounting plate height</b> of 0 and a <b>cup distance</b> of 5 mm, the <b>door overlay</b> is 10 mm.</p> <table border="1"> <thead> <tr> <th rowspan="2">Door overlay</th> <th colspan="4">Cup distance</th> </tr> <tr> <th>3</th> <th>4</th> <th>5</th> <th>6</th> </tr> </thead> <tbody> <tr><td>8</td><td></td><td></td><td></td><td></td></tr> <tr><td>11</td><td></td><td></td><td></td><td>0</td></tr> <tr><td><b>10</b></td><td></td><td></td><td><b>0</b></td><td></td></tr> <tr><td>9</td><td></td><td>0</td><td></td><td>2</td></tr> <tr><td>8</td><td>0</td><td></td><td>2</td><td>3</td></tr> <tr><td>7</td><td></td><td>2</td><td>3</td><td>4</td></tr> <tr><td>6</td><td>2</td><td>3</td><td>4</td><td></td></tr> <tr><td>5</td><td>3</td><td>4</td><td></td><td></td></tr> <tr><td>4</td><td>4</td><td></td><td></td><td></td></tr> <tr><td colspan="5" style="text-align: right;">Mounting plate height</td></tr> </tbody> </table>	Door overlay	Cup distance				3	4	5	6	8					11				0	<b>10</b>			<b>0</b>		9		0		2	8	0		2	3	7		2	3	4	6	2	3	4		5	3	4			4	4				Mounting plate height				
Door overlay	Cup distance																																																											
	3	4	5	6																																																								
8																																																												
11				0																																																								
<b>10</b>			<b>0</b>																																																									
9		0		2																																																								
8	0		2	3																																																								
7		2	3	4																																																								
6	2	3	4																																																									
5	3	4																																																										
4	4																																																											
Mounting plate height																																																												

# NEXIS CLICK-ON 05

95° profiled door hinge (Door thicknesses up to 30 mm)



- 95° opening angle
- Minimum reveals with thick doors
- Soft-close compatible
- Optimum reveals for door thicknesses up to 26 mm
- 3-dimensional adjustment with appropriate mounting plate

#### Available in 2 versions:

- With self-closing mechanism (spring)
- Without self-closing mechanism (spring) for use with Tipmatic

## ORDER INFORMATION

Door overlay		Material		Cranking	with spring	Item No.	
		Cup	Arm			Click-on Screw fixing	Click-on Press fitting
Full overlay		Steel, nickel-plated	Steel, nickel-plated	0	■	F01507 2742	F015072741
					-	F01507 2743	-
Half overlay		Steel, nickel-plated	Steel, nickel-plated	8	■	F01507 2760	-
					-	F01507 2762	-
Inset		Steel, nickel-plated	Steel, nickel-plated	15	■	F01507 2768	F015072767
					-	F01507 2770	-

## COVER CAPS

	Designation	Cranking	Imprinted/ Embossed	Item No.
	Hinge arm cover cap, steel, short, nickel-plated, not imprinted, Soft-close compatible	0	On request	F069073570
	Hinge arm cover cap, steel, open, nickel-plated, not imprinted, Soft-close compatible	8/ 15	On request	F069073669

## ACCESSORIES

	Designation	Item No.
	Tipmatic Plus Click-on set	F06907 3752
	Soft-close Click-on set	F06907 3714

	Designation	Item No.
	Chipboard screw Ø 3.5 x 15 mm	F146073976
	Hinge cup cover cap, steel, nickel-plated, not imprinted	F069073687

**INSTALLATION INFORMATION**

All dimensions in millimetres

Full overlay		K0	Half overlay		K8	Inset		K15	
Mounting plate height 2			Mounting plate height 2			Mounting plate height 4			
Door overlay	Cup distance								
	0	3	4	5	6				
	19				0				
	18			0					
	17		0		2				
	16	0		2	3				
	15		2	3	4				
	14	2	3	4					
	13	3	4						
	12	4							
Mounting plate height									
Door overlay	Cup distance								
	8	3	4	5	6				
	11				0				
	10			0					
	9		0		2				
	8	0		2	3				
	7		2	3	4				
	6	2	3	4					
	5	3	4						
	4	4							
Mounting plate height									
Door reveal	Cup distance								
	15	3	4	5	6				
	0		2	3	4				
	1	2	3	4					
	2	3	4						
Mounting plate height									

**MINIMUM GAP**

	Cup distance				
	3	4	5	6	
16	0.5	0.5	0.5	0.5	
18	0.5	0.5	0.5	0.5	
19	0.5	0.5	0.5	0.5	
20	0.5	0.5	0.5	0.5	
22	0.5	0.5	0.5	0.5	
24	0.5	0.5	0.5	0.5	
26	0.5	0.5	0.5	0.7	
28	0.5	0.5	0.5	0.9	
30	0.5	0.5	1.1	1.1	
Minimum gap					

**MINIMUM REVEAL**

	Cup distance				
	3	4	5	6	
16	0.1	0.1	0.1	0.1	
18	0.2	0.2	0.2	0.2	
19	0.3	0.3	0.3	0.3	
20	0.4	0.4	0.4	0.4	
22	0.7	0.7	0.7	0.7	
24	1.0	1.0	1.0	1.0	
26	1.4	1.4	1.4	1.4	
28	1.9	1.9	1.9	1.9	
30	3.8	2.9	2.6	2.5	
Minimum reveal (F)					

**NOTES**

The minimum gap is the clearance required between the front edge of the cabinet and the closed door so that the door can open without hindrance.

**Important:** Reveals were calculated for doors with a radius of 1 mm!

Hinge dimensions and reveal calculation with factory setting.

We recommend a trial fitting.

# NEXIS CLICK-ON 65

170° wide-angle hinge (Door thicknesses up to 26 mm)



- 170° opening angle
- Soft-close compatible
- Optimum reveals for door thicknesses up to 26 mm
- With shallow cup depth (11 mm) also suitable for soft-formed doors
- Zero protrusion with door open 90°
- Finger guard
- 3-dimensional adjustment with appropriate mounting plate

#### Available in 2 versions:

- With self-closing mechanism (spring)
- Without self-closing mechanism (spring) for use with Tipmatic

## ORDER INFORMATION

Door overlay		Material		Cranking	with spring	Item No.	
		Cup	Arm			Click-on Screw fixing	Click-on Press fitting
Full overlay		Zamak, nickel-plated	Zamak, nickel-plated	0	■	F015072842	F015072840
					-	F015072843	-
Half overlay		Zamak, nickel-plated	Zamak, nickel-plated	8	■	F015072845	F015072844
					-	F015072846	-

## ACCESSORIES

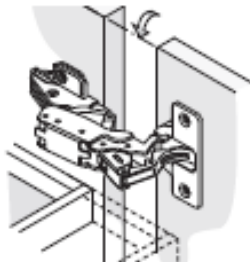
	Designation	Item No.		Designation	Item No.
	170° Tipmatic Plus set	F069135019		120° opening angle reduction clip, plastic, black	F069073402
	Designation	Item No.		Designation	Item No.
	170° Soft-close	F069073729		Chipboard screw Ø 3.5 x 15 mm	F146073976

**INSTALLATION INFORMATION**

All dimensions in millimetres

Full overlay	K0	Half overlay	K8	Inset	K0	Mitred application	K0																																																																																																																																																																																																						
<p>Mounting plate height 2</p>		<p>Mounting plate height 2</p>		<p>Inset application</p>		<p>Mitred application</p>																																																																																																																																																																																																							
<table border="1"> <thead> <tr> <th rowspan="2">Door overlay</th> <th colspan="7">Cup distance</th> </tr> <tr> <th>3</th> <th>4</th> <th>5</th> <th>6</th> <th>7</th> <th>8</th> <th></th> </tr> </thead> <tbody> <tr><td>21</td><td></td><td></td><td></td><td></td><td></td><td></td><td>0</td></tr> <tr><td>20</td><td></td><td></td><td></td><td></td><td></td><td>0</td><td></td></tr> <tr><td>19</td><td></td><td></td><td></td><td>0</td><td></td><td></td><td>2</td></tr> <tr><td>18</td><td></td><td></td><td>0</td><td></td><td>2</td><td></td><td>3</td></tr> <tr><td>17</td><td>0</td><td></td><td>2</td><td>3</td><td>4</td><td></td><td></td></tr> <tr><td>16</td><td>0</td><td></td><td>2</td><td>3</td><td>4</td><td></td><td></td></tr> <tr><td>15</td><td></td><td>2</td><td>3</td><td>4</td><td></td><td></td><td></td></tr> <tr><td>14</td><td>2</td><td>3</td><td>4</td><td></td><td></td><td></td><td></td></tr> <tr><td>13</td><td>3</td><td>4</td><td></td><td></td><td></td><td></td><td></td></tr> <tr><td>12</td><td>4</td><td></td><td></td><td></td><td></td><td></td><td></td></tr> <tr> <td></td> <td colspan="7">Mounting plate height</td> </tr> </tbody> </table>		Door overlay	Cup distance							3	4	5	6	7	8		21							0	20						0		19				0			2	18			0		2		3	17	0		2	3	4			16	0		2	3	4			15		2	3	4				14	2	3	4					13	3	4						12	4								Mounting plate height							<table border="1"> <thead> <tr> <th rowspan="2">Door overlay</th> <th colspan="7">Cup distance</th> </tr> <tr> <th>3</th> <th>4</th> <th>5</th> <th>6</th> <th>7</th> <th>8</th> <th></th> </tr> </thead> <tbody> <tr><td>13</td><td></td><td></td><td></td><td></td><td></td><td></td><td>0</td></tr> <tr><td>12</td><td></td><td></td><td></td><td></td><td></td><td></td><td>0</td></tr> <tr><td>11</td><td></td><td></td><td></td><td></td><td>0</td><td></td><td>2</td></tr> <tr><td>10</td><td></td><td></td><td>0</td><td></td><td>2</td><td></td><td>3</td></tr> <tr><td>9</td><td>0</td><td></td><td>2</td><td>3</td><td>4</td><td></td><td></td></tr> <tr><td>8</td><td>0</td><td></td><td>2</td><td>3</td><td>4</td><td></td><td></td></tr> <tr><td>7</td><td></td><td>2</td><td>3</td><td>4</td><td></td><td></td><td></td></tr> <tr><td>6</td><td>2</td><td>3</td><td>4</td><td></td><td></td><td></td><td></td></tr> <tr><td>5</td><td>3</td><td>4</td><td></td><td></td><td></td><td></td><td></td></tr> <tr> <td></td> <td colspan="7">Mounting plate height</td> </tr> </tbody> </table>		Door overlay	Cup distance							3	4	5	6	7	8		13							0	12							0	11					0		2	10			0		2		3	9	0		2	3	4			8	0		2	3	4			7		2	3	4				6	2	3	4					5	3	4							Mounting plate height							<p>With 0 cranking, cup distance 3 mm and mounting plate height 18, an inset application is achieved.</p> <p>Use 120° opening angle reduction clip.</p>		<p>With 0 cranking, cup distance 3 mm and mounting plate height 18, a mitred application can be achieved.</p> <p>Use 120° opening angle reduction clip.</p>	
Door overlay	Cup distance																																																																																																																																																																																																												
	3	4	5	6	7	8																																																																																																																																																																																																							
21							0																																																																																																																																																																																																						
20						0																																																																																																																																																																																																							
19				0			2																																																																																																																																																																																																						
18			0		2		3																																																																																																																																																																																																						
17	0		2	3	4																																																																																																																																																																																																								
16	0		2	3	4																																																																																																																																																																																																								
15		2	3	4																																																																																																																																																																																																									
14	2	3	4																																																																																																																																																																																																										
13	3	4																																																																																																																																																																																																											
12	4																																																																																																																																																																																																												
	Mounting plate height																																																																																																																																																																																																												
Door overlay	Cup distance																																																																																																																																																																																																												
	3	4	5	6	7	8																																																																																																																																																																																																							
13							0																																																																																																																																																																																																						
12							0																																																																																																																																																																																																						
11					0		2																																																																																																																																																																																																						
10			0		2		3																																																																																																																																																																																																						
9	0		2	3	4																																																																																																																																																																																																								
8	0		2	3	4																																																																																																																																																																																																								
7		2	3	4																																																																																																																																																																																																									
6	2	3	4																																																																																																																																																																																																										
5	3	4																																																																																																																																																																																																											
	Mounting plate height																																																																																																																																																																																																												

**ZERO PROTRUSION**



Zero protrusion for use with inset drawers.

With 0 cranking and mounting plate height 0, the door will be flush with the cabinet at 90°.

**MINIMUM GAP**

Door thickness	Cup distance						
	3	4	5	6	8	10	
16	0.0	0.0	0.0	0.0	0.0	0.0	
18	0.0	0.0	0.0	0.0	0.0	0.0	
19	0.0	0.0	0.0	0.0	0.0	0.0	
20	0.0	0.0	0.0	0.0	0.0	0.0	
22	0.0	0.0	0.0	0.0	0.0	0.0	
23	0.0	0.0	0.0	0.0	0.0	0.0	
24	0.0	0.0	0.0	0.0	0.0	0.0	
25	0.0	0.0	0.0	0.0	0.0	0.0	
26	0.0	0.0	0.0	0.0	0.0	0.0	
	Minimum gap						

**MINIMUM REVEAL**

Door thickness	Cup distance						
	3	4	5	6	7	8	
16	0.0	0.0	0.0	0.0	0.0	0.0	
18	0.0	0.0	0.0	0.0	0.0	0.0	
19	0.0	0.0	0.0	0.0	0.0	0.0	
20	0.0	0.0	0.0	0.0	0.0	0.0	
22	0.0	0.0	0.0	0.0	0.0	0.0	
23	0.0	0.0	0.0	0.0	0.0	0.0	
24	0.0	0.0	0.0	0.5	1.8	2.0	
25	6.5	6.5	6.0	5.5	4.8	4.0	
26	10.5	9.5	8.5	7.5	6.5	5.5	
	Minimum reveal (F)						

**NOTES**

The minimum gap is the clearance required between the front edge of the cabinet and the closed door so that the door can open without hindrance.

**Important:** Reveals were calculated for doors with a radius of 1 mm!

Hinge dimensions and reveal calculation with factory setting.

We recommend a trial fitting.

# NEXIS CLICK-ON 05/90/4

95° blind corner hinge (Door thicknesses up to 30 mm)




- For direct mounting on protruding post
- 95° opening angle
- Optimum reveals for door thicknesses up to 30 mm
- Soft-close compatible
- 3-dimensional adjustment with appropriate mounting plate

#### Available in 2 versions:

- With self-closing mechanism (spring)
- Without self-closing mechanism (spring) for use with Tipmatic

## ORDER INFORMATION

Door overlay		Material			with spring	Item No.	
		Cup	Arm			Click-on Screw fixing	Click-on Press fitting
Inset		Steel, nickel-plated	-		■	F01507 2788	F015072787
					-	F01507 2789	-

## COVER CAP

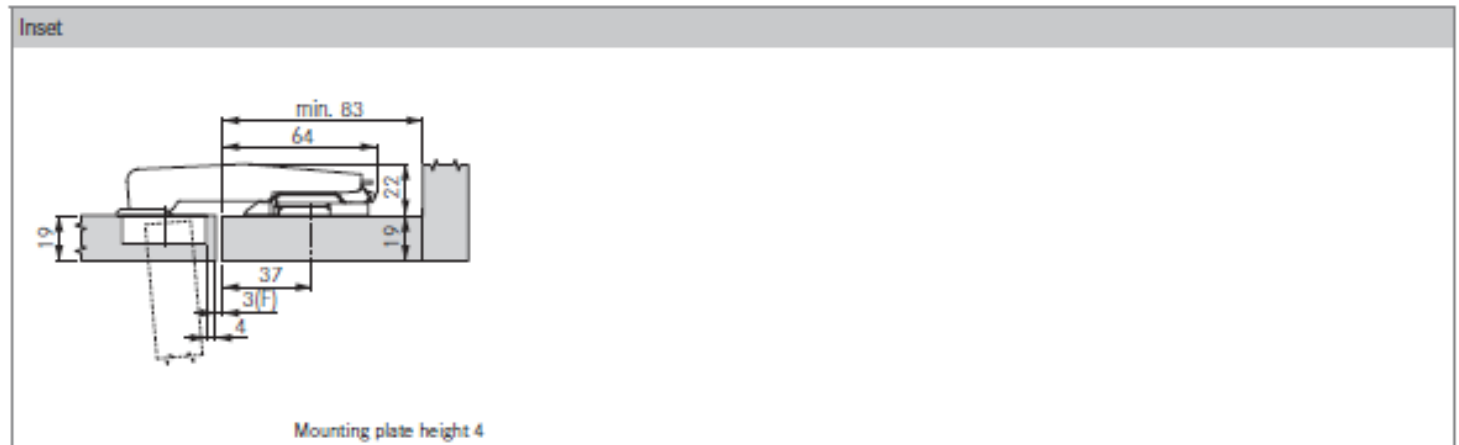
	Designation	Imprinted/ Embossed	Item No.
	Hinge arm cover cap, steel, short, nickel-plated, not imprinted, Soft-close compatible	On request	F069073570

## ACCESSORIES

	Designation	Item No.		Designation	Item No.
	Tipmatic Plus Click-on set	F069073752		Chipboard screw Ø 3.5 x 15 mm	F146073976
	Soft-close Click-on set	F069073714		Hinge cup cover cap, steel, nickel-plated, not imprinted	F069073687

**INSTALLATION INFORMATION**

All dimensions in millimetres



**MINIMUM REVEAL**

	Cup distance					
	3	4	5	6		
16	0.1	0.1	0.1	0.1		
18	0.2	0.2	0.2	0.2		
19	0.3	0.3	0.3	0.3		
20	0.4	0.4	0.4	0.4		
22	0.7	0.7	0.7	0.7		
24	1.0	1.0	1.0	1.0		
26	1.4	1.4	1.4	1.4		
28	1.9	1.9	1.9	1.9		
30	3.8	2.9	2.6	2.5		
	Minimum reveal (F)					

**NOTES**

Important: Reveals were calculated for doors with a radius of 1 mm!

Hinge dimensions and reveal calculation with factory setting.

We recommend a trial fitting.



# NEXIS CLICK-ON PCC

Pie-cut corner hinge (for corner fitting)



- For connecting two corner cabinet doors
- For door thicknesses of 14-22 mm
- With self-closing mechanism (spring)
- 3-dimensional adjustment with appropriate mounting plate

## ORDER INFORMATION

		Material			with spring	Item No.	
		Cup	Arm			Click-on Screw fixing	
		■	■		■	<b>F01507 2858</b>	

## COVER CAP

	Designation	Imprinted/ Embossed	Item No.
	Hinge arm cover cap, steel, short, nickel-plated, not imprinted, Soft-close compatible	On request	<b>F069073570</b>

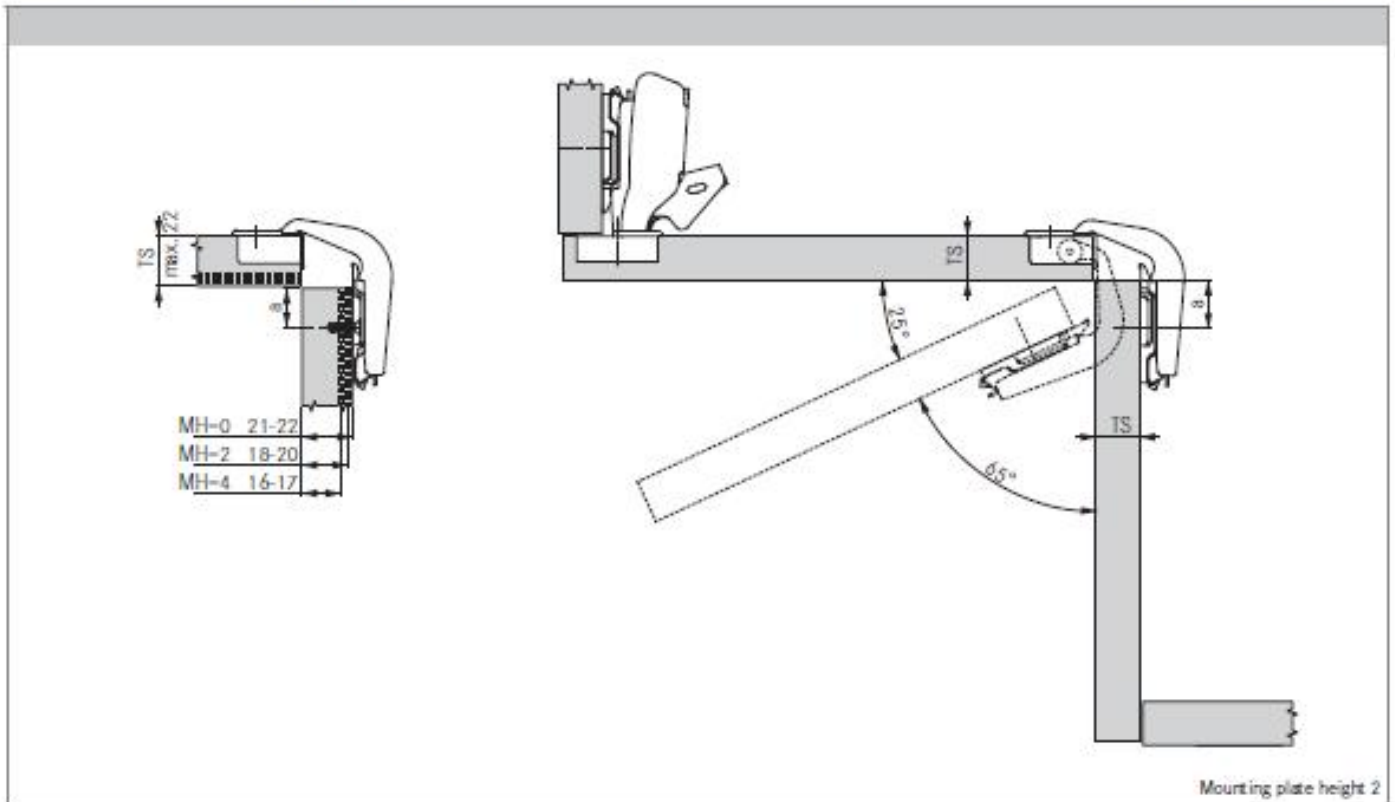
## ACCESSORIES

	Designation	Item No.
	Chipboard screw Ø 3.5 x 15 mm	<b>F146073976</b>

	Designation	Item No.

INSTALLATION INFORMATION

All dimensions in millimetres



DISTANCE TABLE

	Mounting plate height				
	0	2	4		
16			25		
17			24		
18		22			
19		21			
20		20			
21	18				
22	17				
	Distance (a)				

NOTES

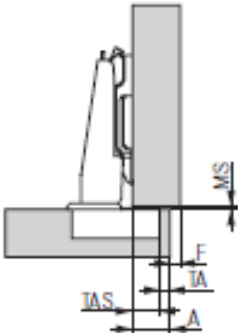

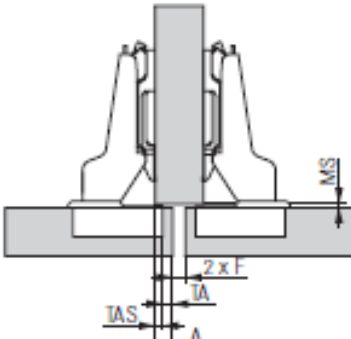
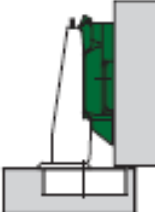
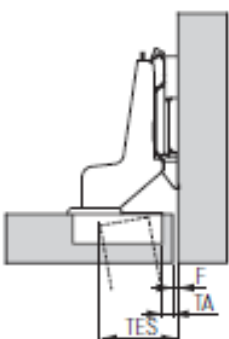
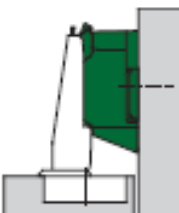
Hinge dimensions and reveal calculation with factory setting.

We recommend a trial fitting.

# NEXIS CLICK-ON

## Technical information

### OPTIONS FOR CHANGING THE DOOR OVERLAY

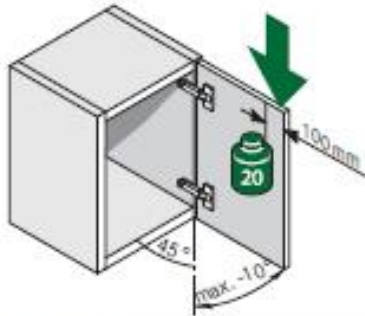
By selecting the cranking	By using a mounting plate with a different height
<p><b>Full overlay (cranking 0)</b></p> <p>The door overlay (A) is the cup overlay (IAS/factory setting) plus the cup distance (TA).</p> <p>The dimensions are shown in a table on the respective catalogue page.</p> 	<p><b>Full overlay</b></p> <p>Hinge with 0 cranking and mounting plate height 0</p> 
<p><b>Half overlay (cranking 8)</b></p> <p>The door overlay (A) is the cup overlay (IAS/factory setting) plus the cup distance (TA).</p> <p>The dimensions are shown in a table on the respective catalogue page.</p> 	<p><b>Half overlay</b></p> <p>Hinge with 0 cranking and mounting plate height 8</p> 
<p><b>Inset (cranking 15)</b></p> <p>There is no door overlay.</p> <p>The reveal (F) between the cabinet side wall and the door depends on the mounting plate height (MH) and the cup distance (TA).</p> <p>The dimensions are shown in a table on the respective catalogue page.</p> 	<p><b>Inset</b></p> <p>Hinge with 0 cranking and mounting plate height 18</p> 

TEST CRITERIA FOR HINGES

Functional test

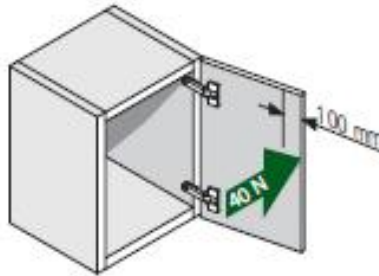
Static load - vertical

Additional load: 20 kg  
Opening angle: max.  $-10^{\circ}$   
Number: 10



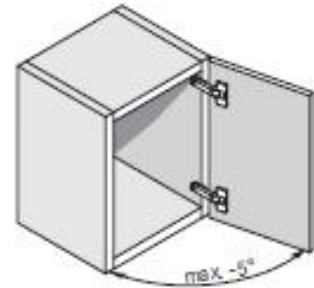
Static load - horizontal

Force: 40 N  
Number: 10



Endurance test

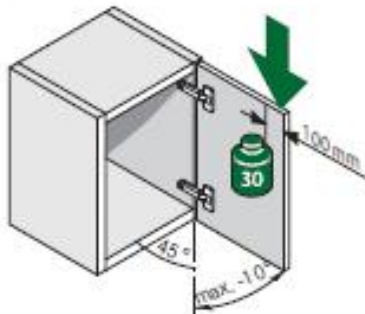
Opening angle: max.  $-5^{\circ}$   
Open and close movements: 100,000



Overload testing

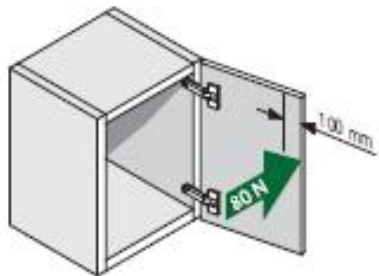
Vertical

Additional load: 30 kg  
Opening angle: max.  $-10^{\circ}$   
Number: 10



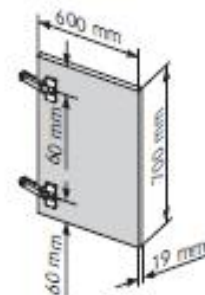
Horizontal

Force: 80 N  
Number: 10



Test door

Weight approx. 5.2 kg



Salt spray and humidity test

Based on DIN ISO 9227 and DIN 6270-2

