

Free flap 1.7 complete set



- > For small, one-piece flaps made of wood or with aluminium frame
- > 107° opening angle (can be reduced to 90° using opening angle restraint, shown below)
- > Fitting for screw fixing, flap clips onto pre-mounted screw on brackets
- > Flap locks into any position
- > Integrated soft close
- > Set includes:
 - 2x Stay flap fittings
 - 2x Cover caps for fitting
 - 2x Screw-on brackets for wooden flaps or flaps with aluminium frame, from frame width 45 mm
 - 1x Paper drilling template

Installation instructions

- > Height, side and tilting angle adjustment of front ± 1.5 mm holding power
- > Nickel-plated steel flap fitting, plastic cover caps
- > Order fixing screws separately
- > Order qty: 1 set

Sample measurements table for max. flap weight

| Model | A | B | C |
|-------------|----------------|---------|----------|
| Flap height | Flap weight kg | | |
| 250 mm | 1.3-3.8 | 2.9-6.4 | 5.4-11.8 |
| 275 mm | 1.2-3.3 | 2.5-5.7 | 4.8-10.6 |
| 300 mm | 1.1-3.1 | 2.4-5.1 | 4.4-9.6 |
| 325 mm | 1.0-2.8 | 2.1-4.6 | 4.0-8.8 |
| 350 mm | 0.9-2.6 | 2.0-4.2 | 3.7-8.1 |
| 375 mm | 0.9-2.3 | 1.9-3.8 | 3.5-7.5 |
| 400 mm | 0.8-2.1 | 1.7-3.6 | 3.2-7.0 |

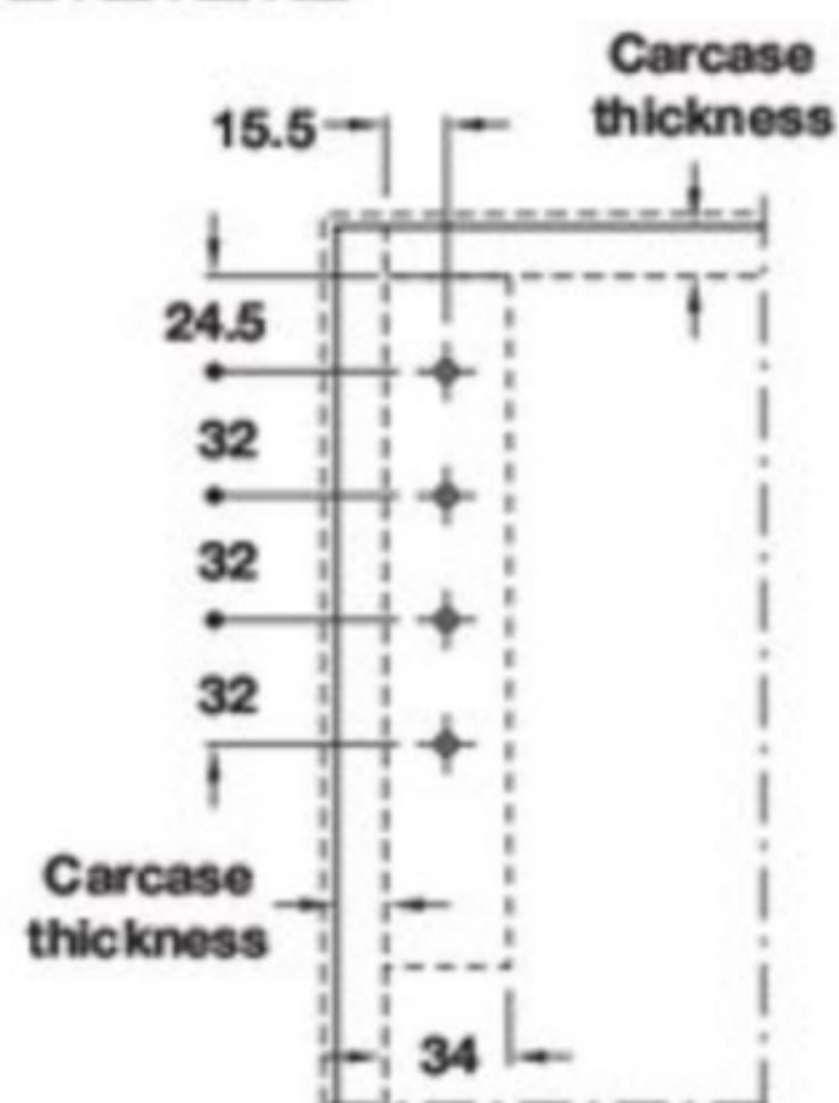
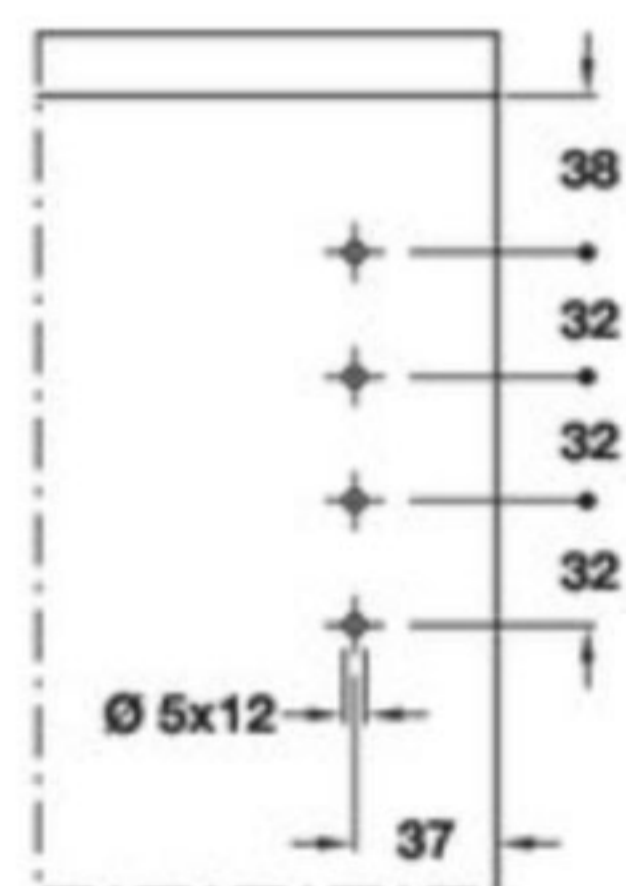
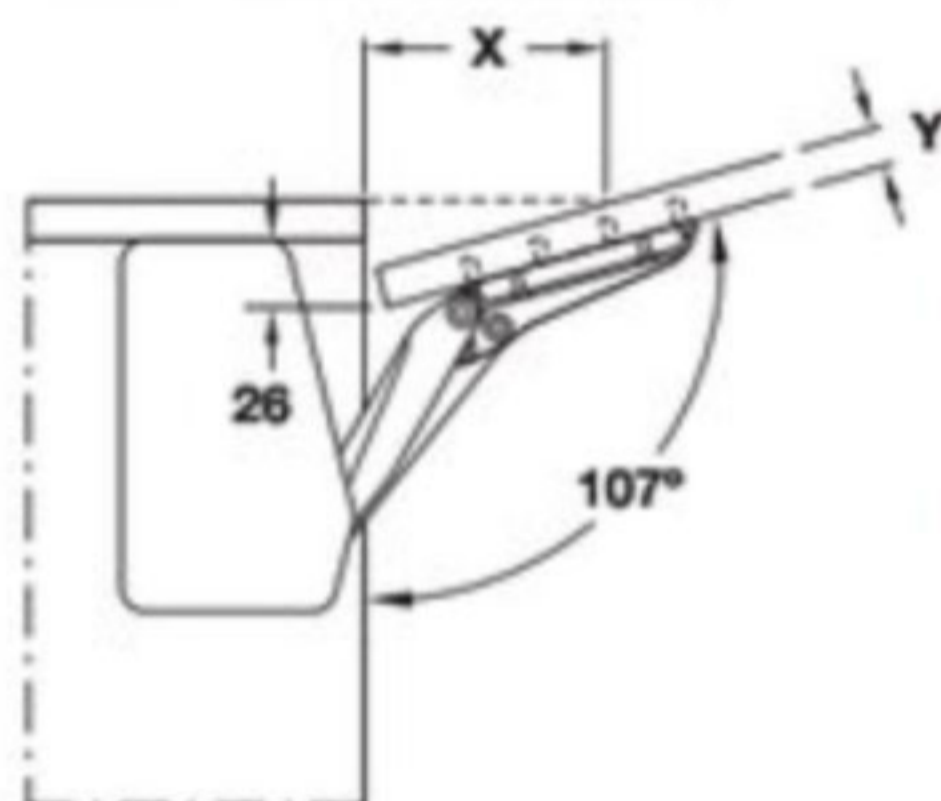
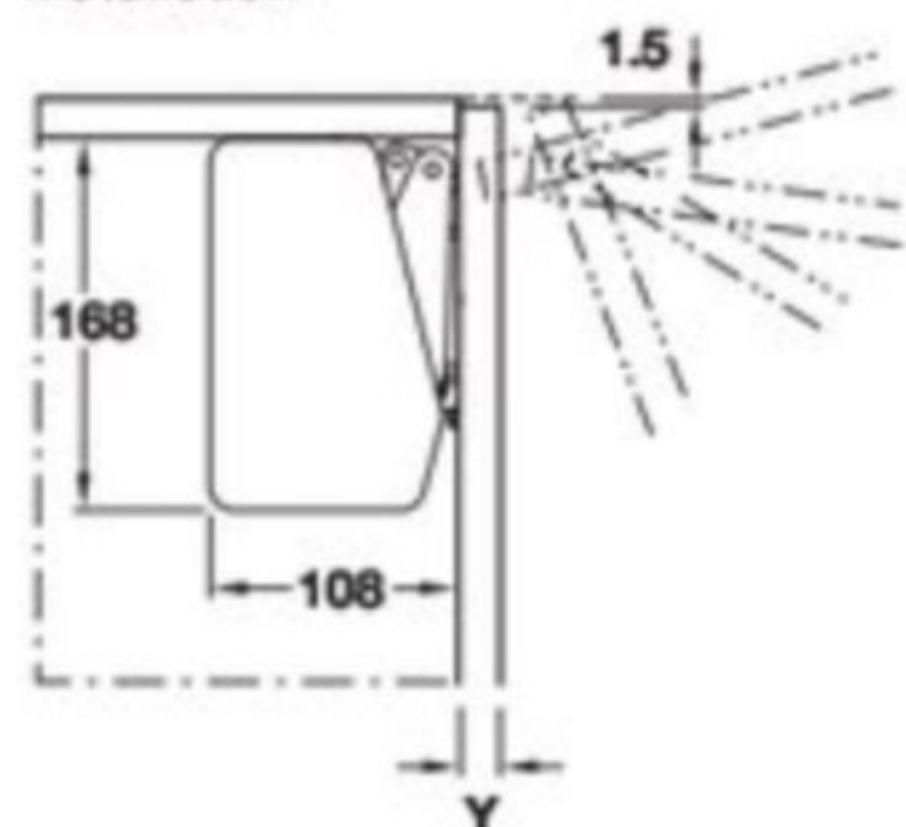


Drilling template for installing Free Flap 1.7 is available, code 90790



| Model | Grey RAL 7035 | White RAL 9003 |
|----------|---------------|----------------|
| A | 80440GY | 80440WC |
| B | 80441GY | 80441WC |
| C | 80442GY | 80442WC |

Installation



Front panel thickness Y mm

16 mm 19 mm 22 mm 26 mm 28 mm

Distance X mm (with top panel thickness 16 mm)

83 mm 74 mm 64 mm 52 mm 46 mm