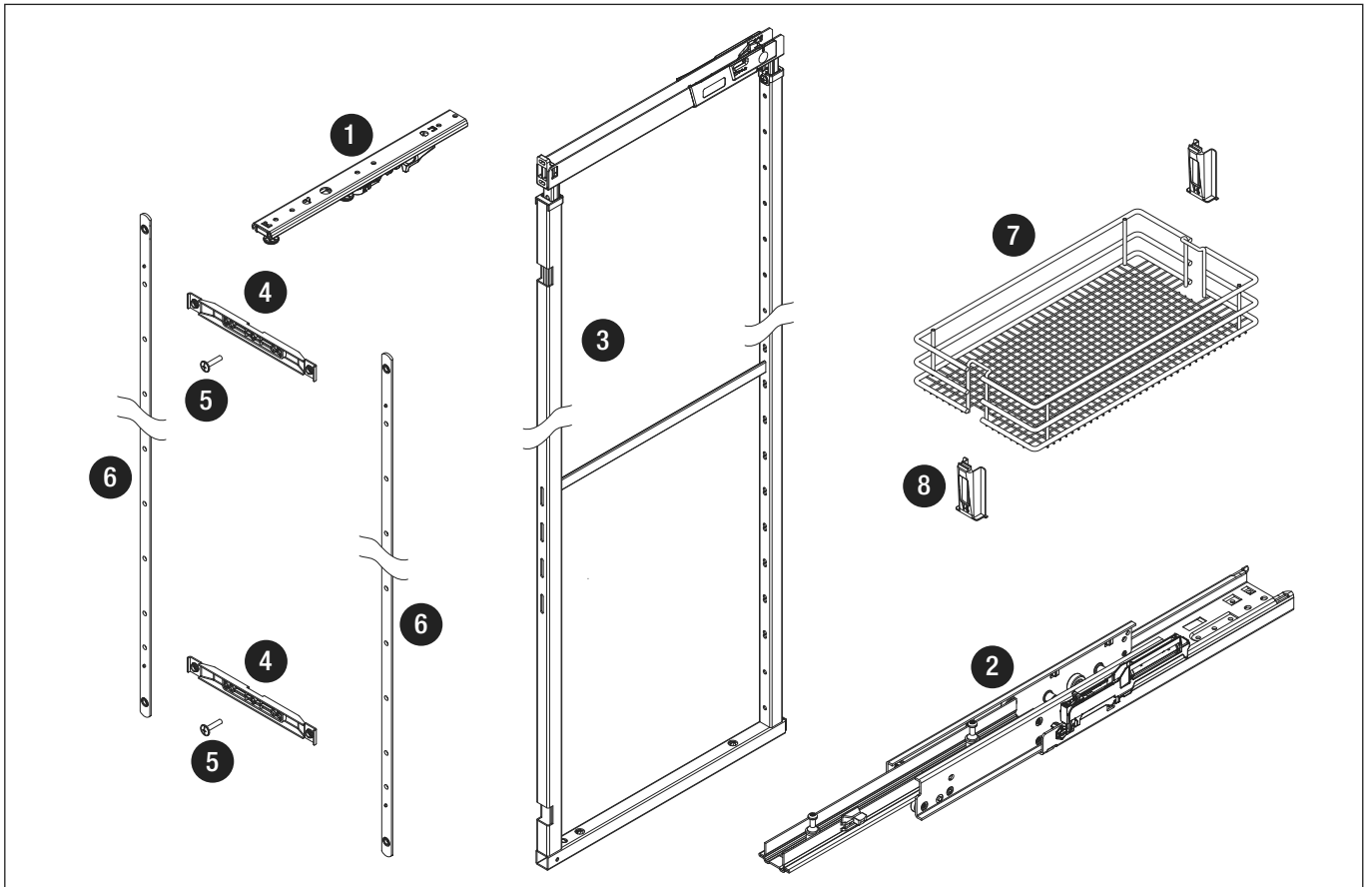
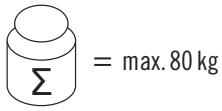
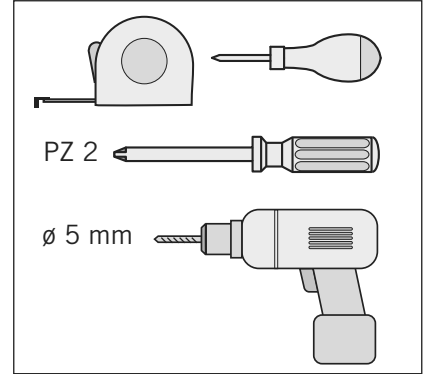
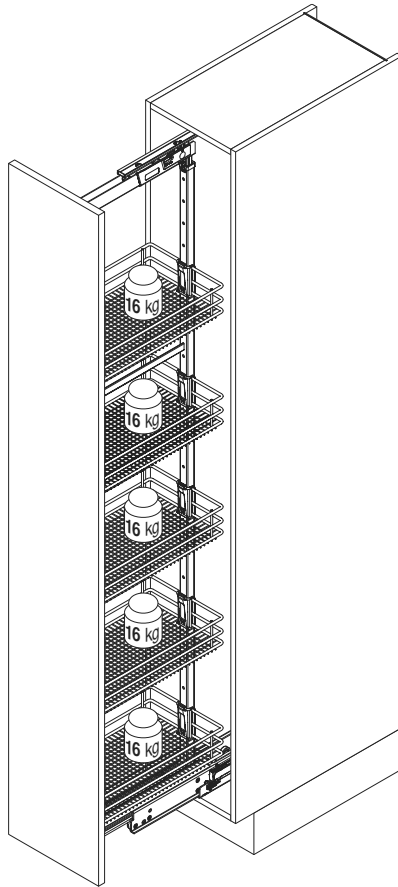
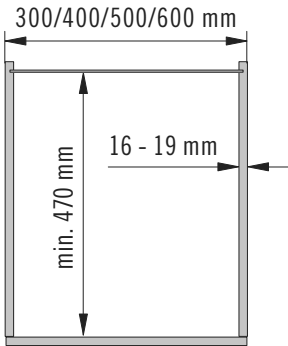
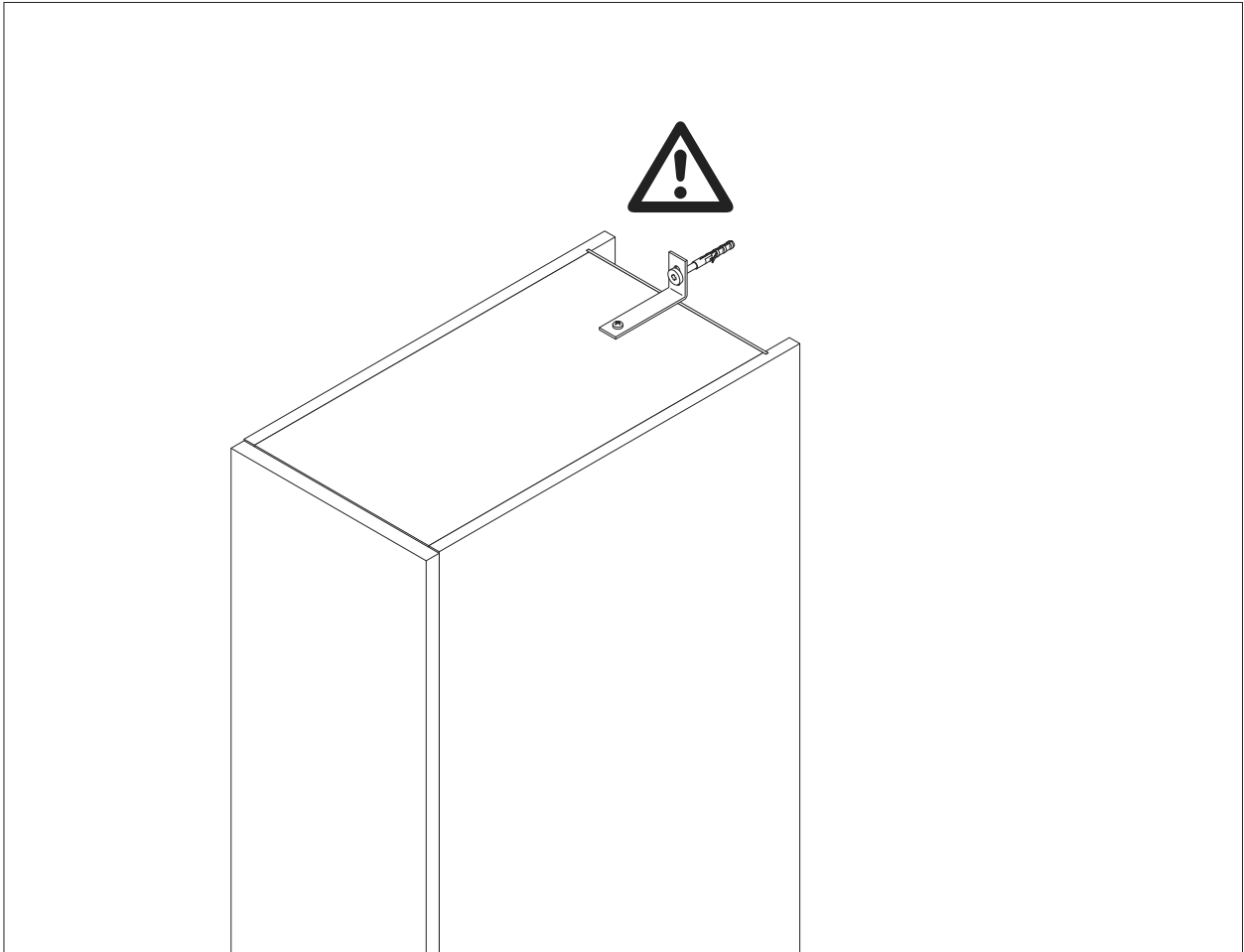
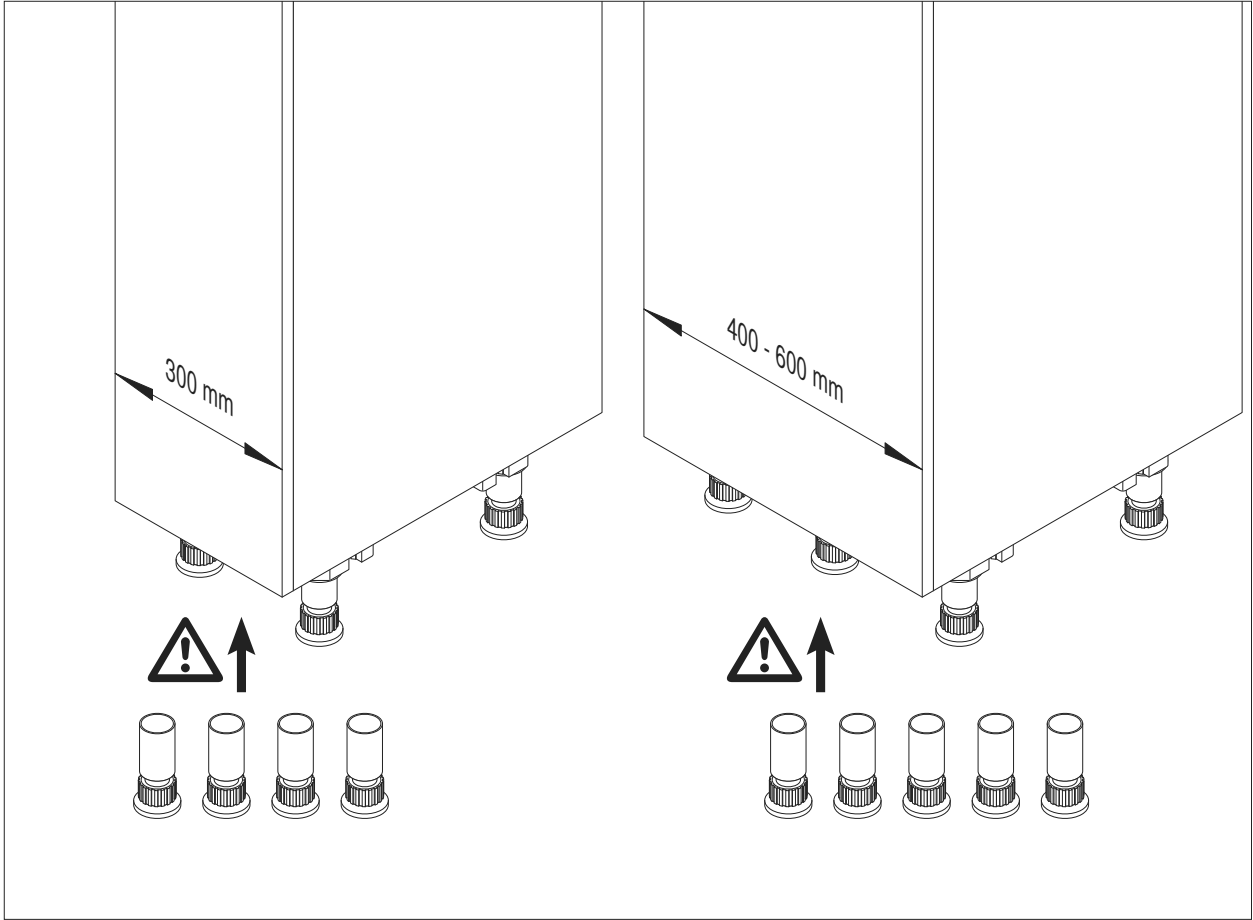


11 / 2018

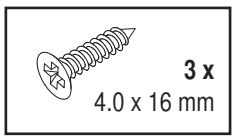
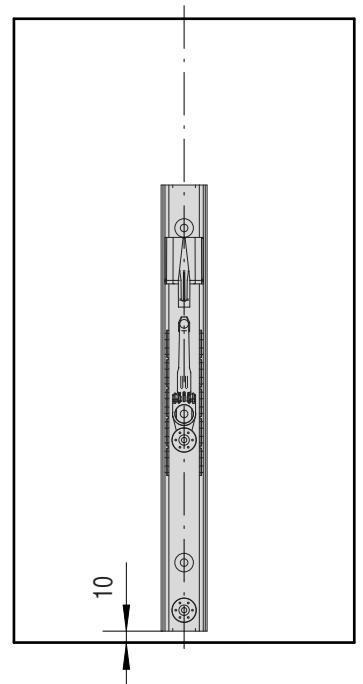
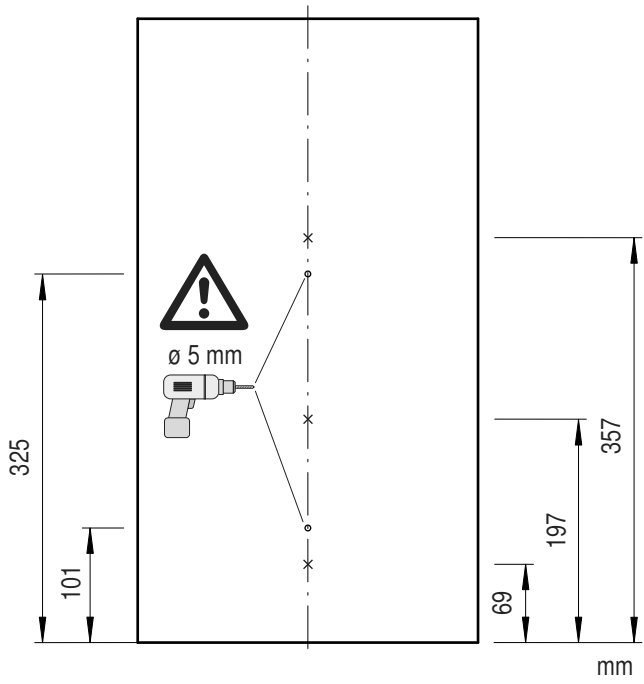
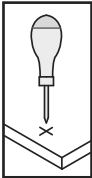
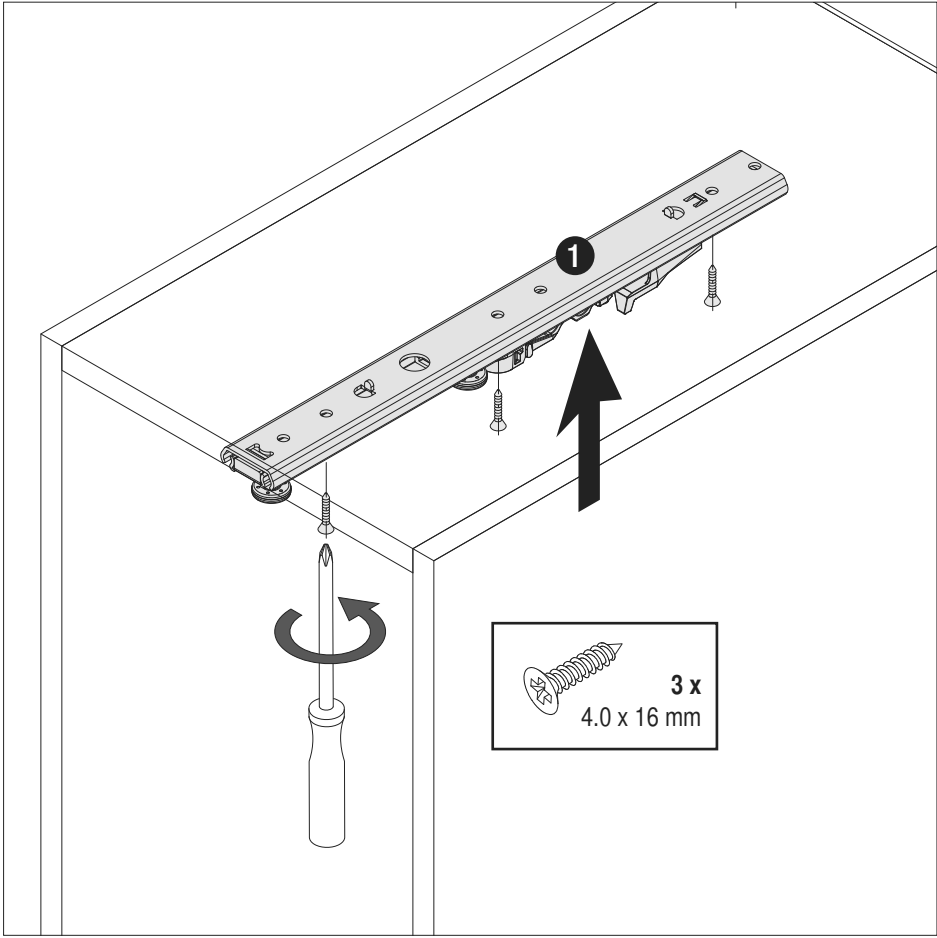


VS TAL Larder

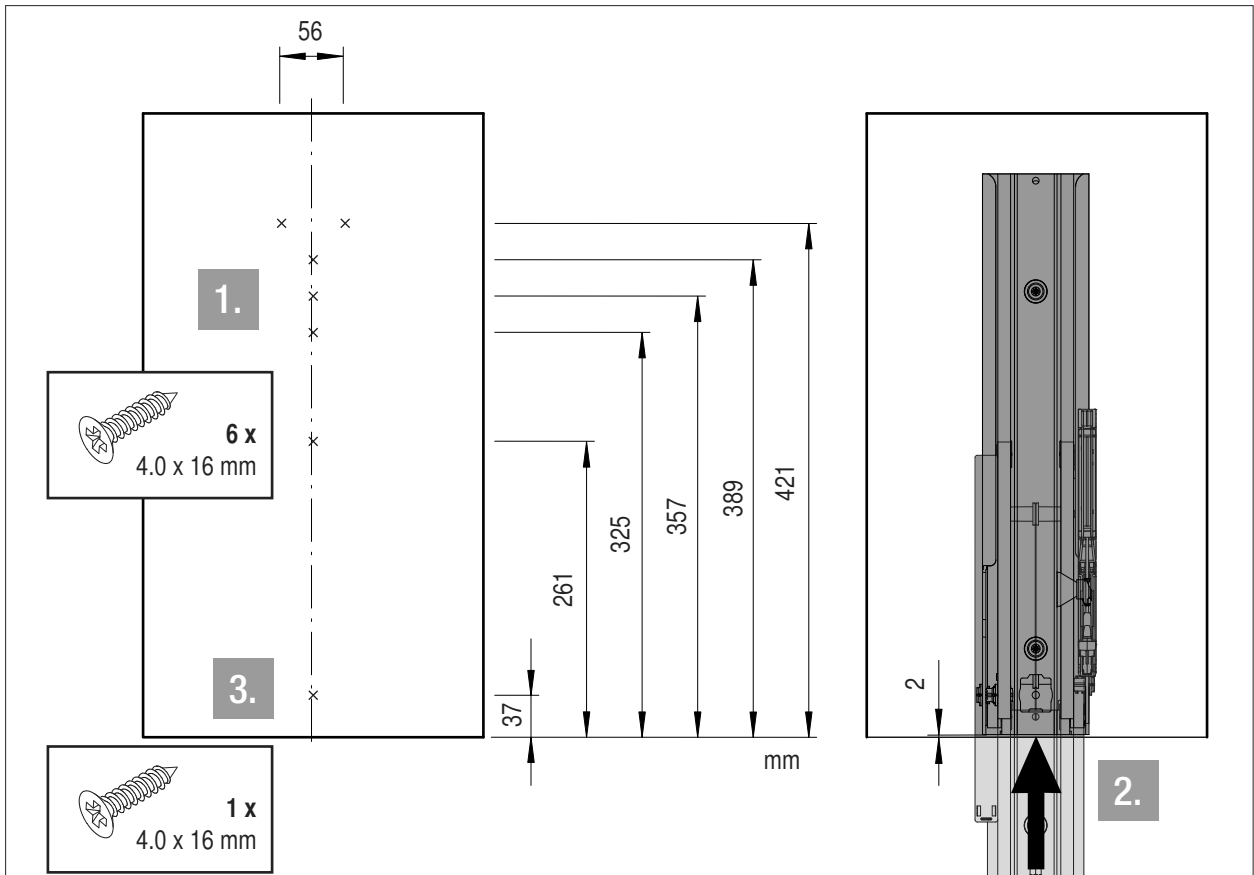
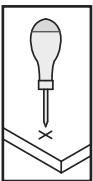
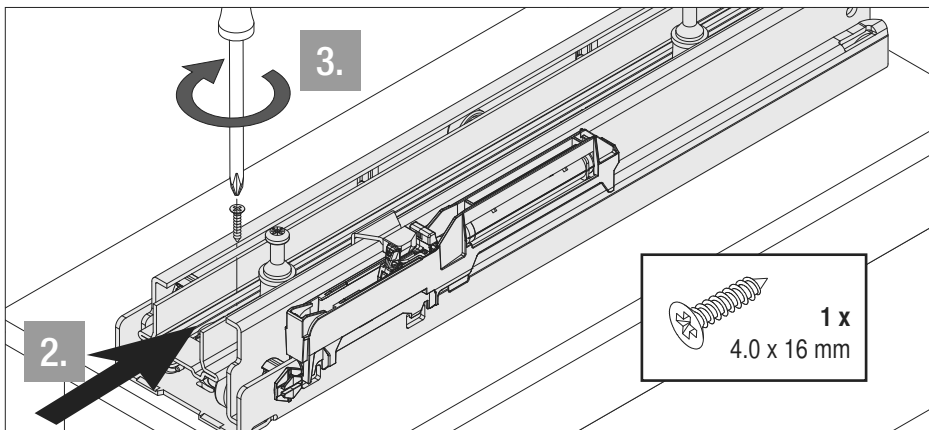
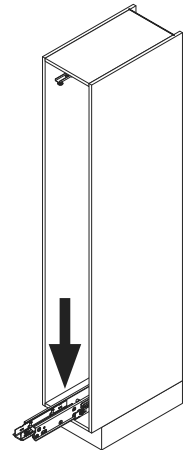
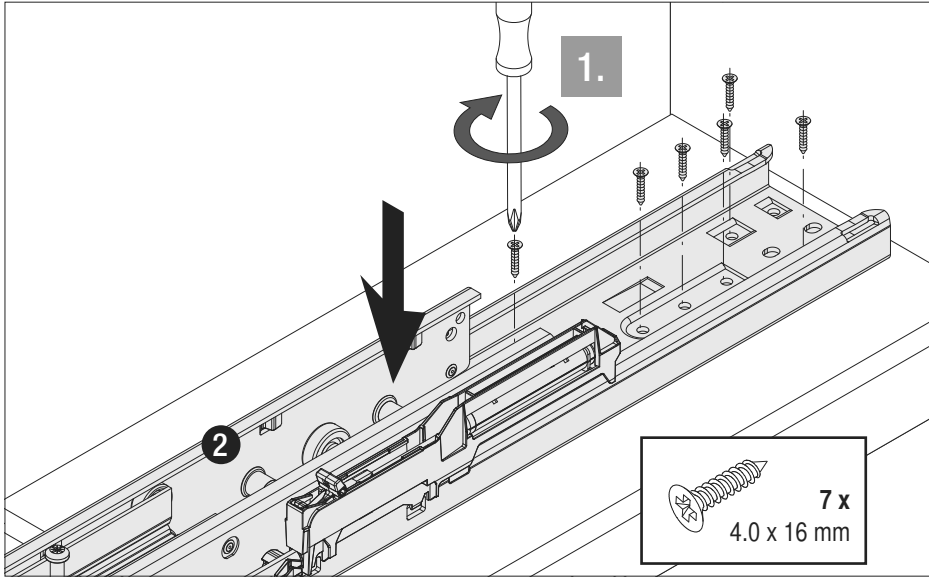




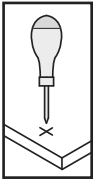
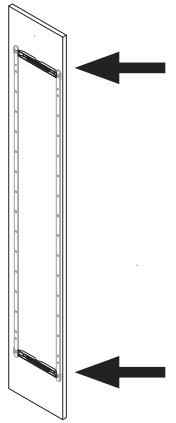
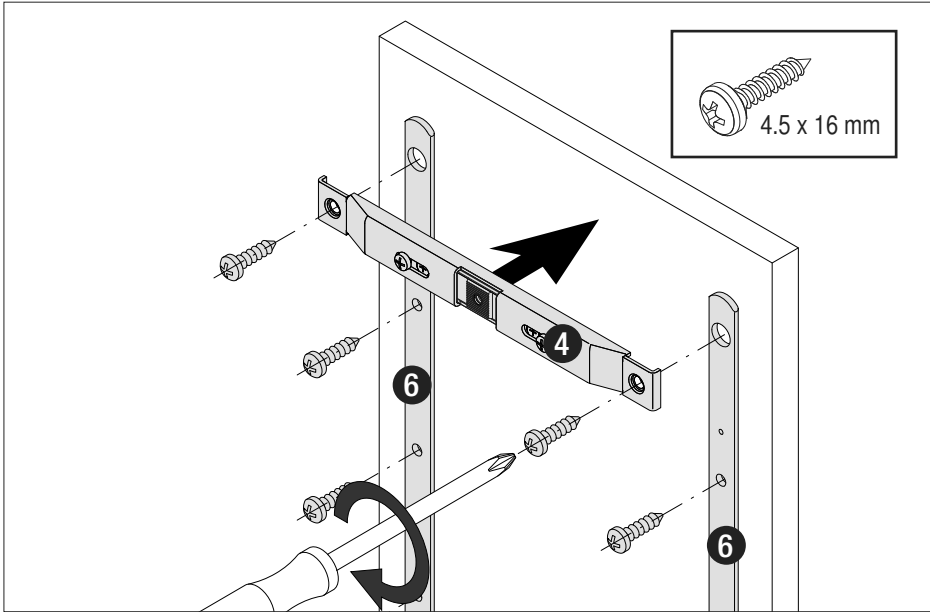
1



2



3



$\text{C door overlay} = A - B$

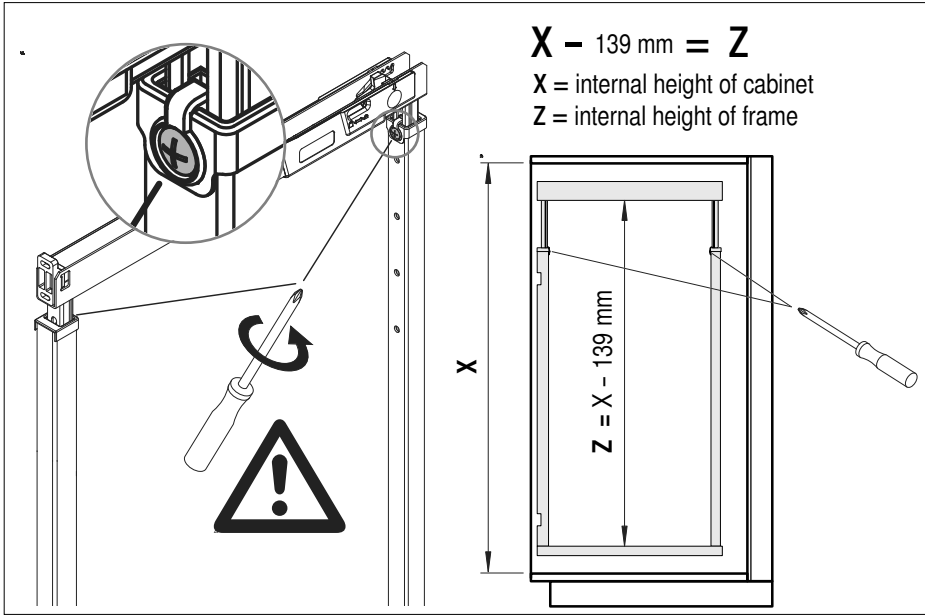
VS TAL Larder	E	F	G	H	I
1	64	96	2 x 96	256	384
2	64	128	4 x 96	512	640
3	64	112	7 x 96	768	896
4	64	96	10 x 96	1024	1152
5	64	128	12 x 96	1280	1408
6	64	96	14 x 96	1408	1536
7	64	96	16 x 96	1600	1728

A	X
300	232
400	325
450	375
500	425
600	525

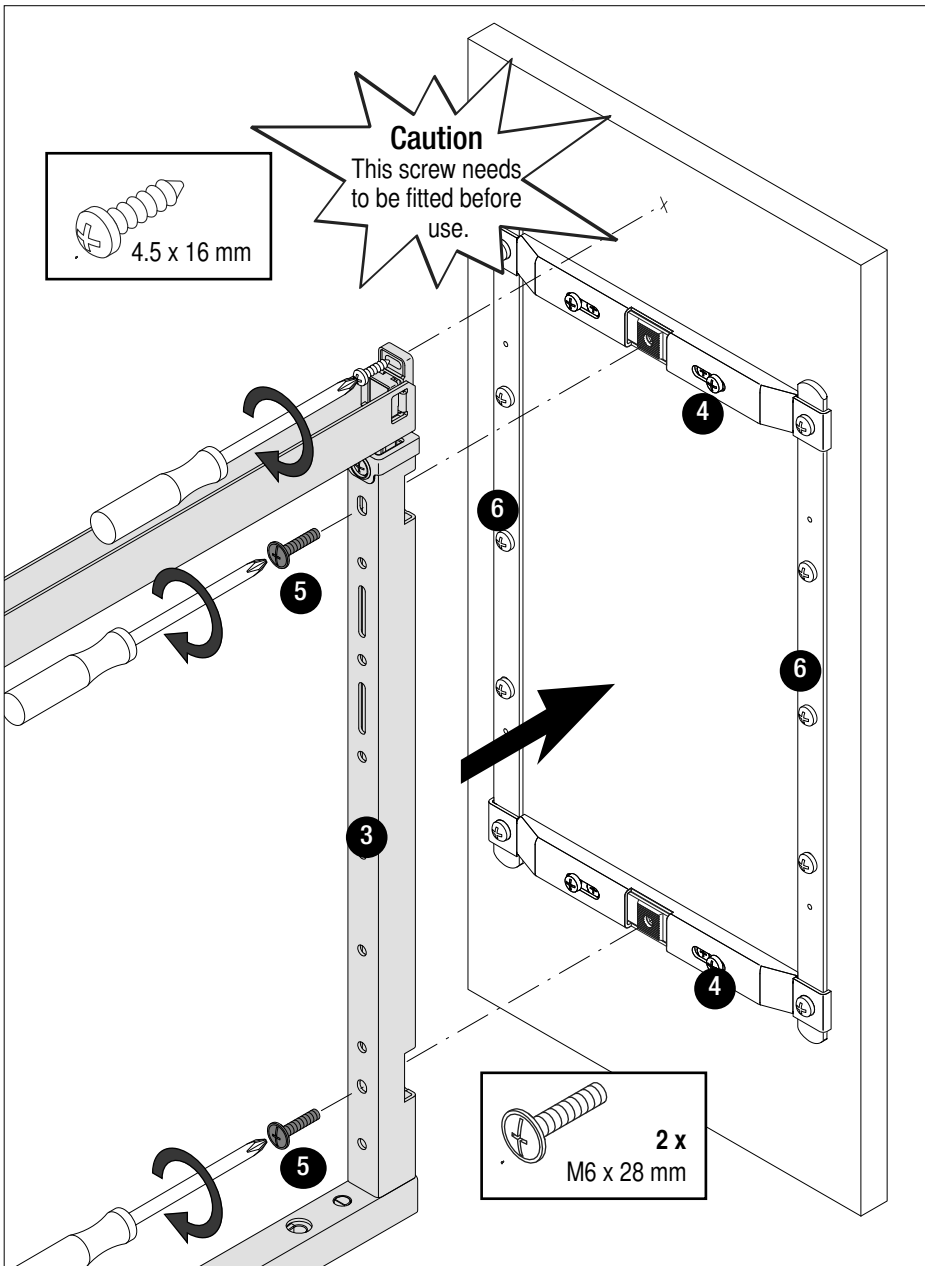
mm

mm

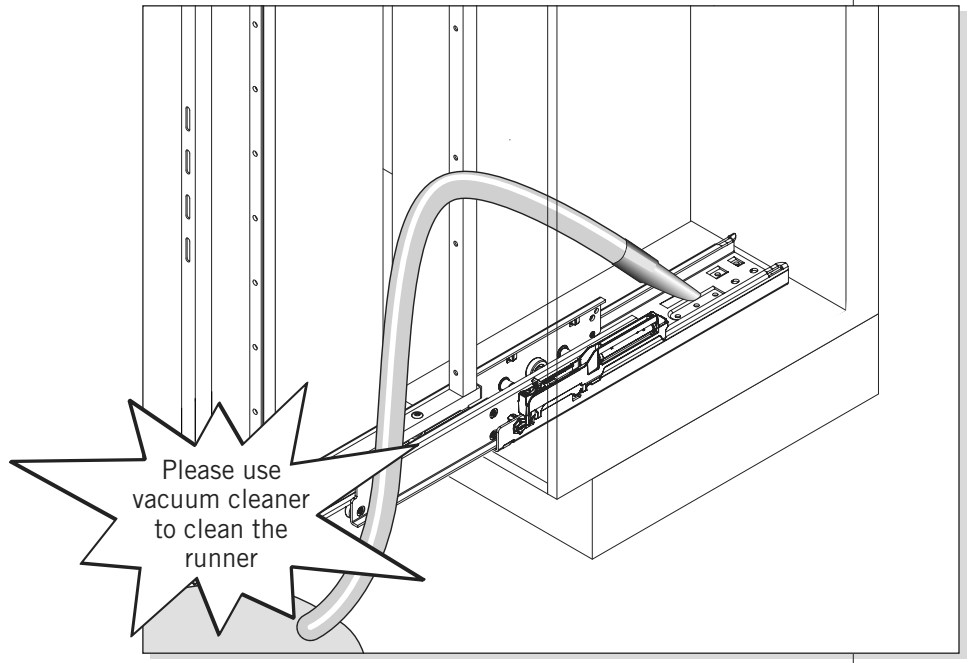
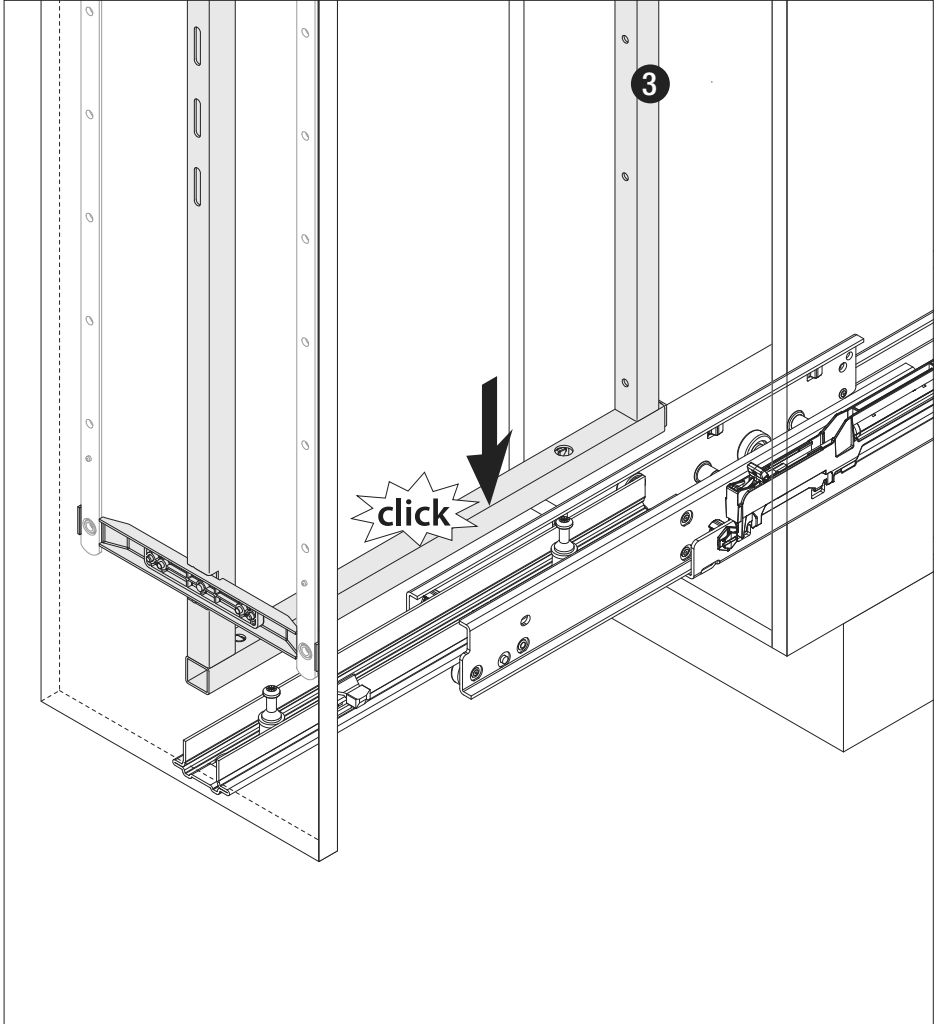
4



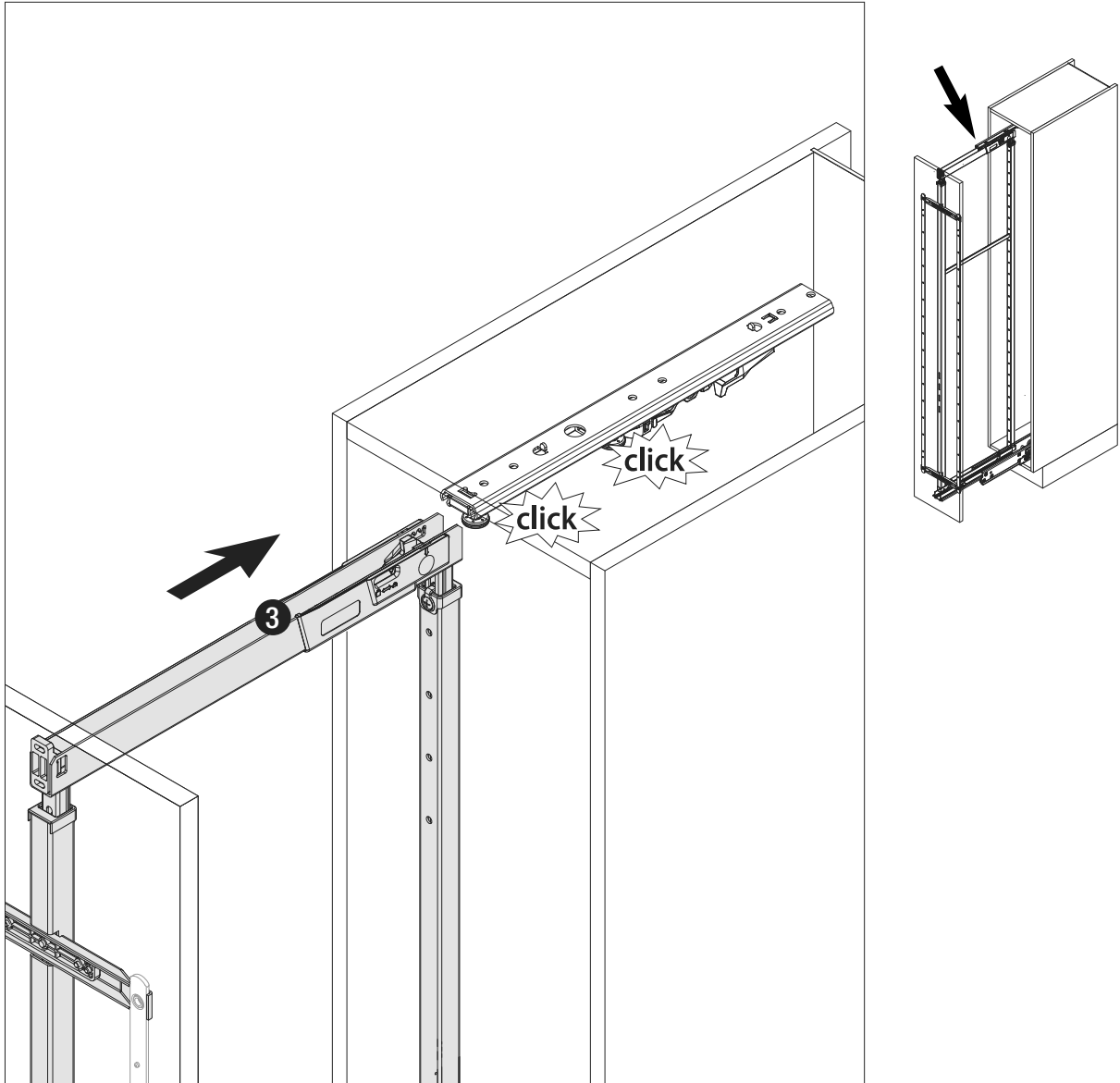
5



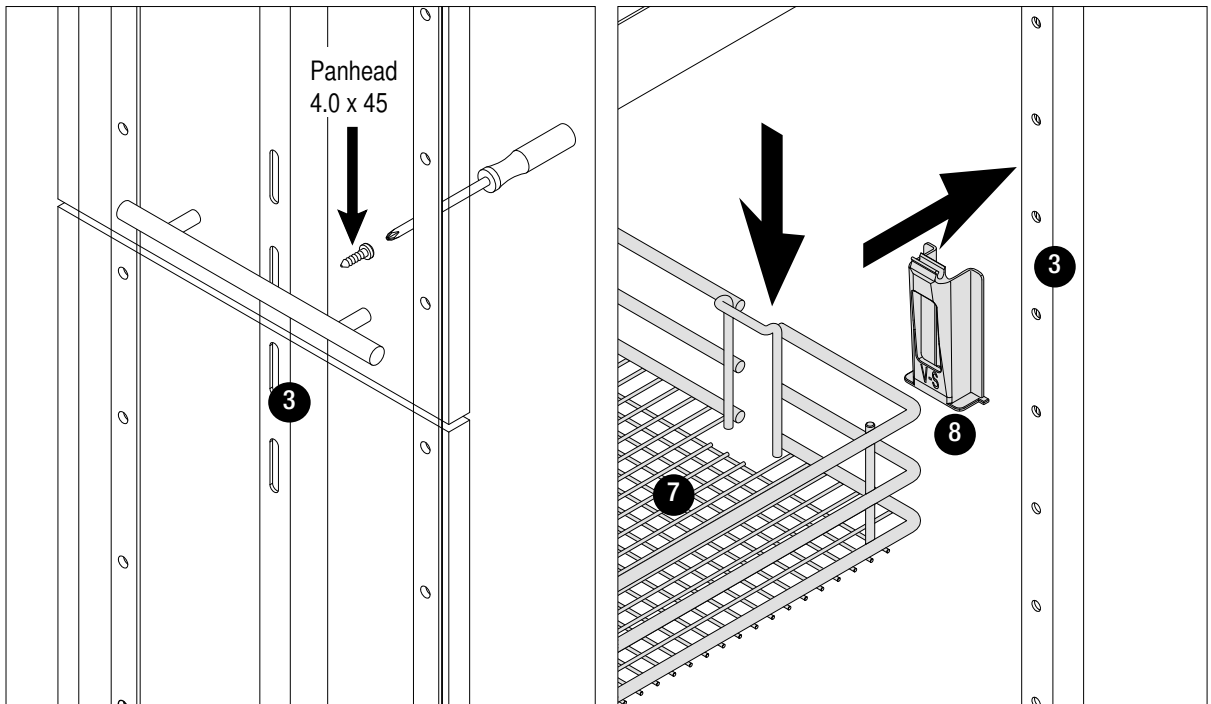
6

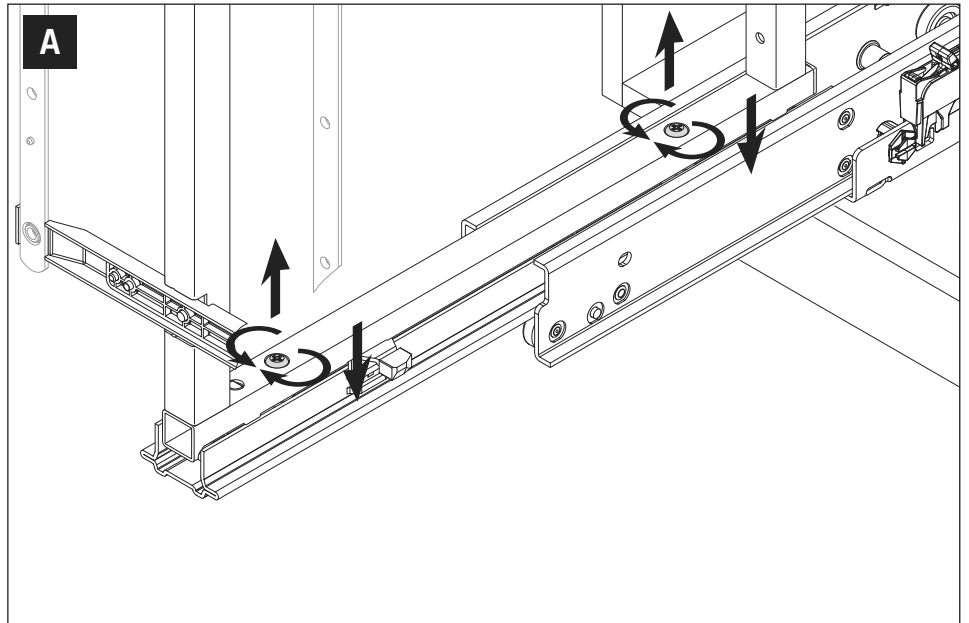
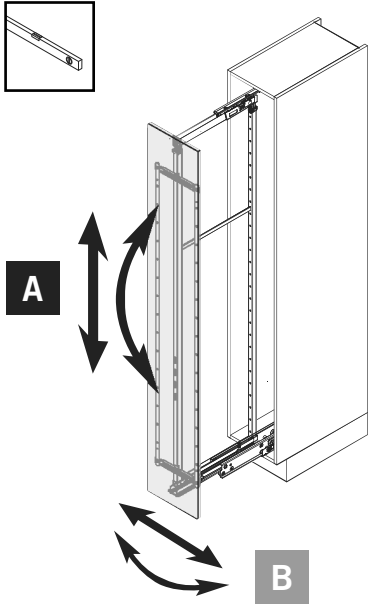


7

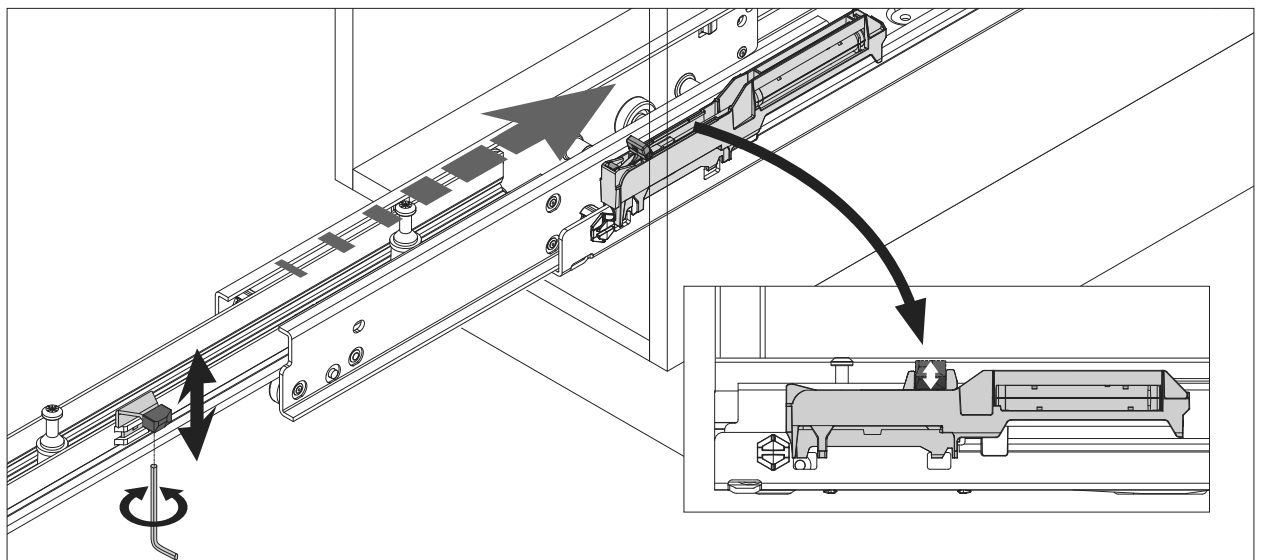
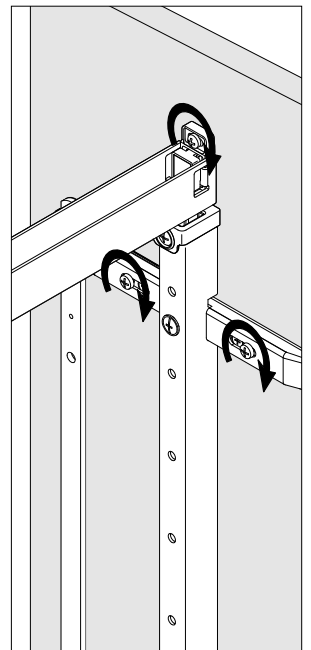
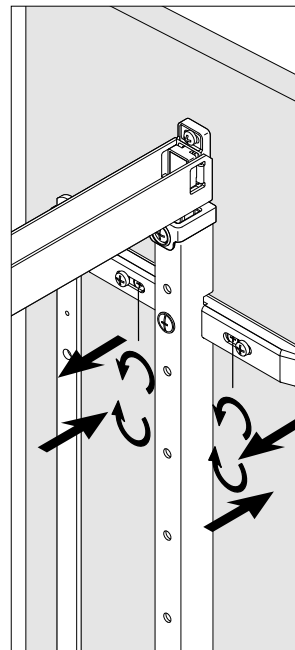
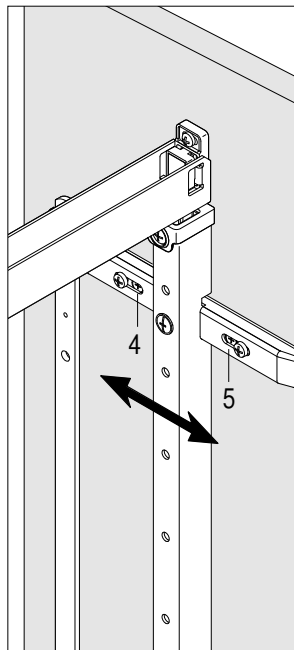
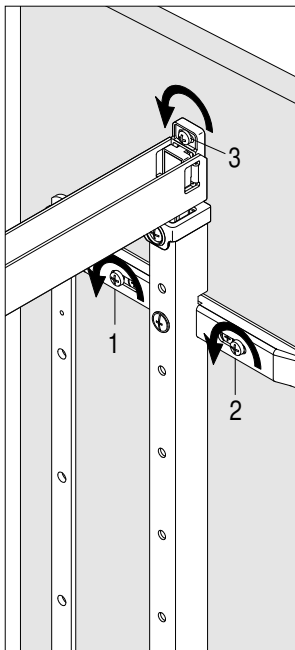


8

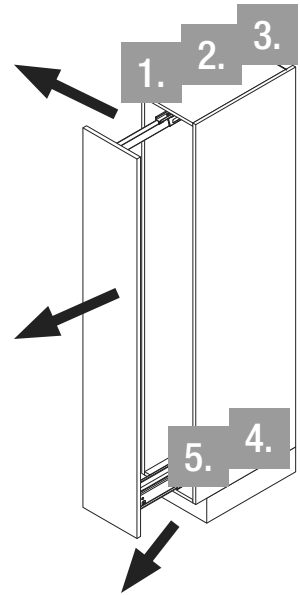
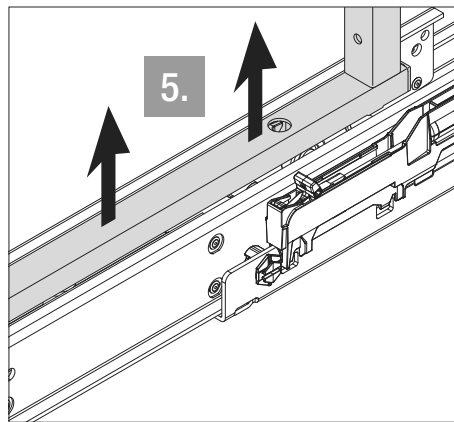
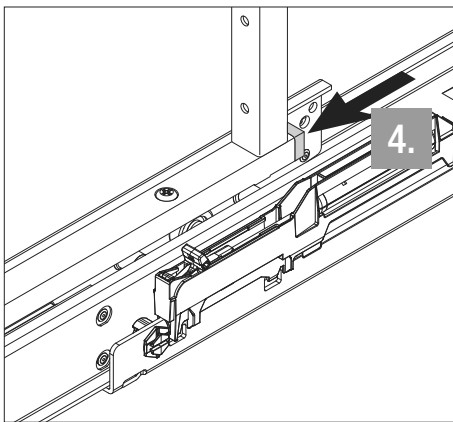
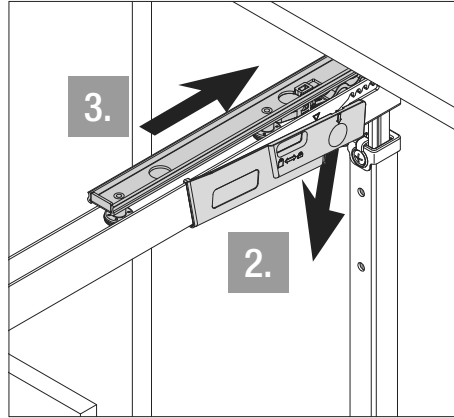
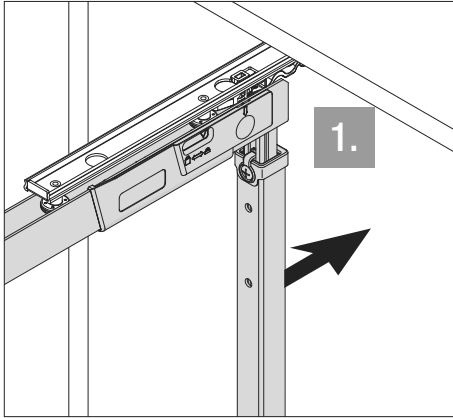




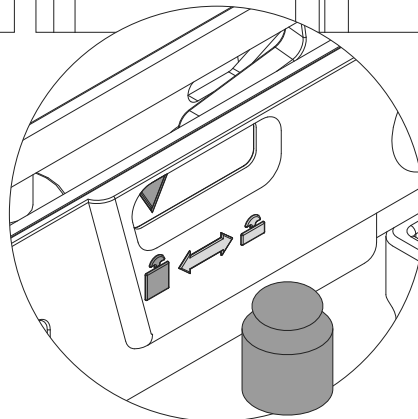
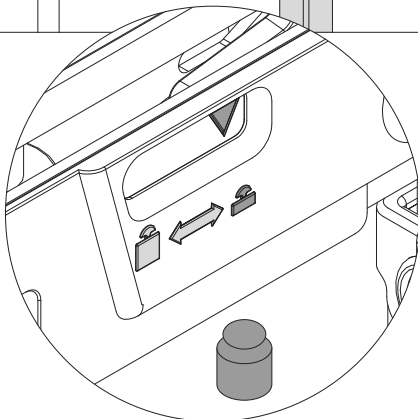
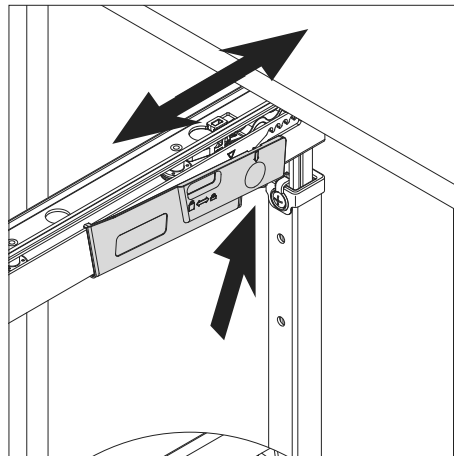
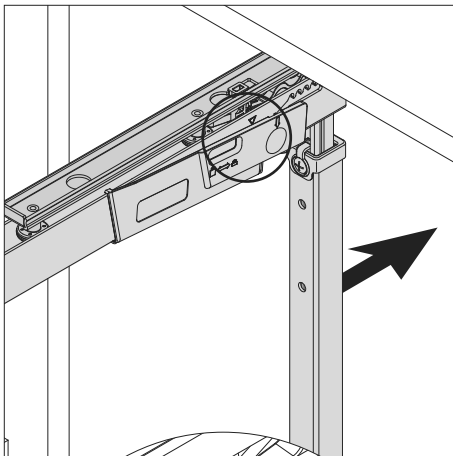
B



Removal of the frame

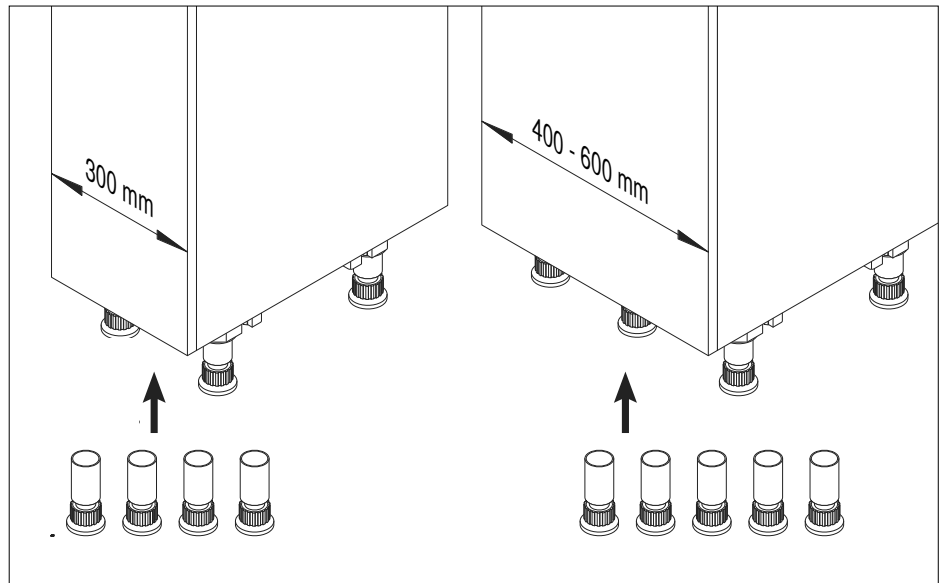


Weight adjustment on frame

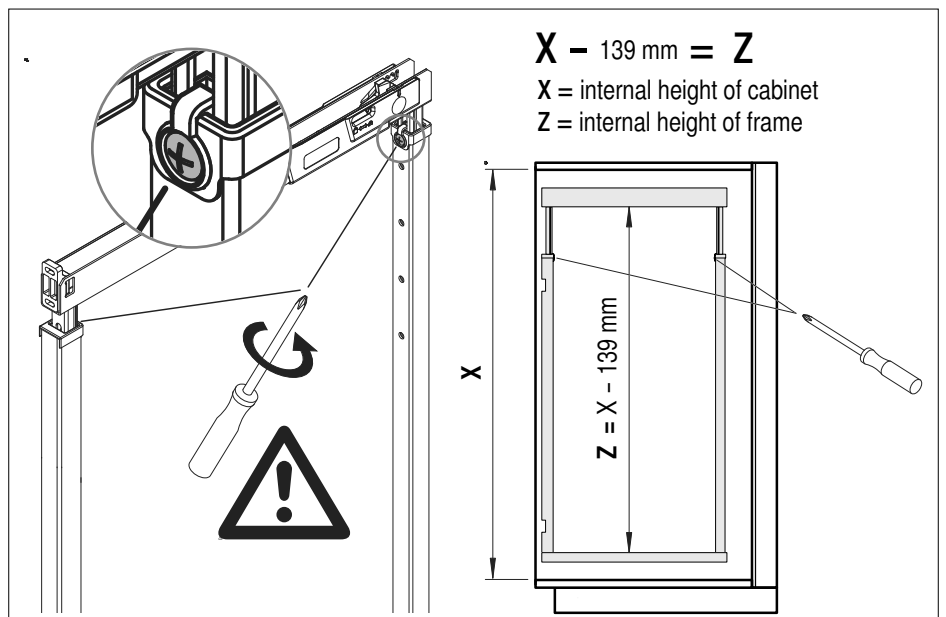


BEFORE USE OF THIS LARDER UNIT PLEASE ENSURE THE FOLLOWING IMPORTANT SAFETY POINTS HAVE BEEN FOLLOWED.

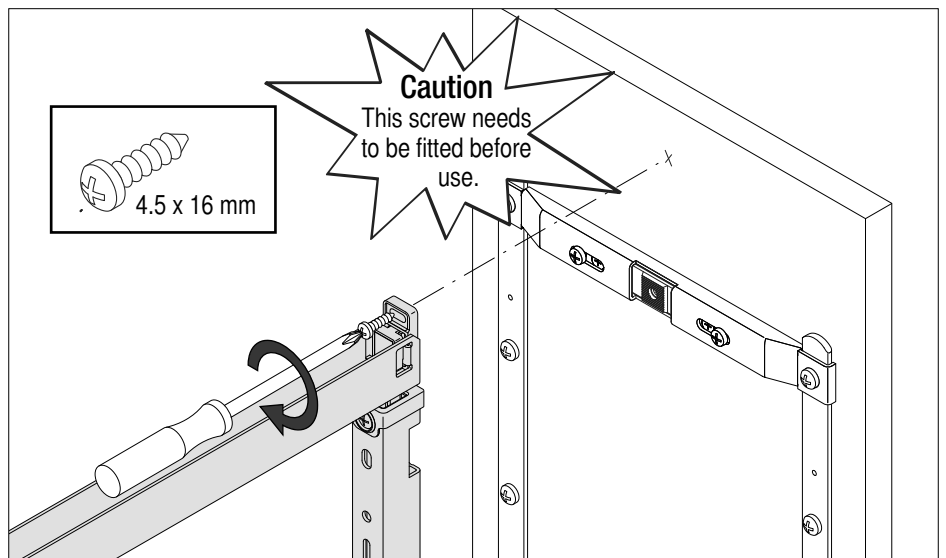
On 400, 500 and 600 mm Width Versions ensure the 5th Plinth foot (included) has been fitted to the base in a central position (Page 2/12)



The frame has been correctly height adjusted to 139 mm less than the internal carcass height (Page 6/12)



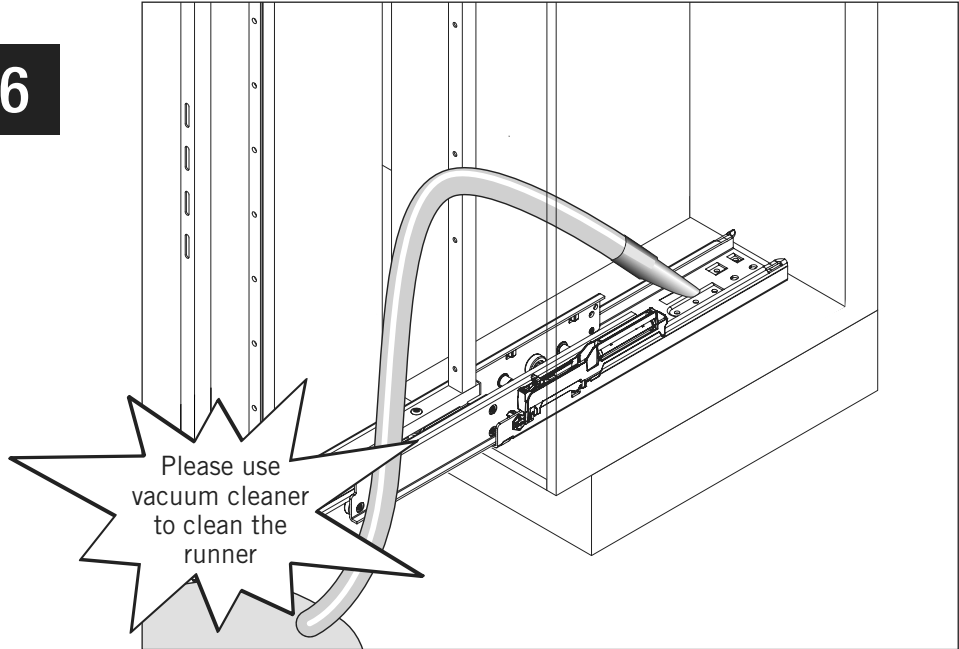
The security screw has been fitted through the top of the frame into the back of the top of the door (Page 6/12)



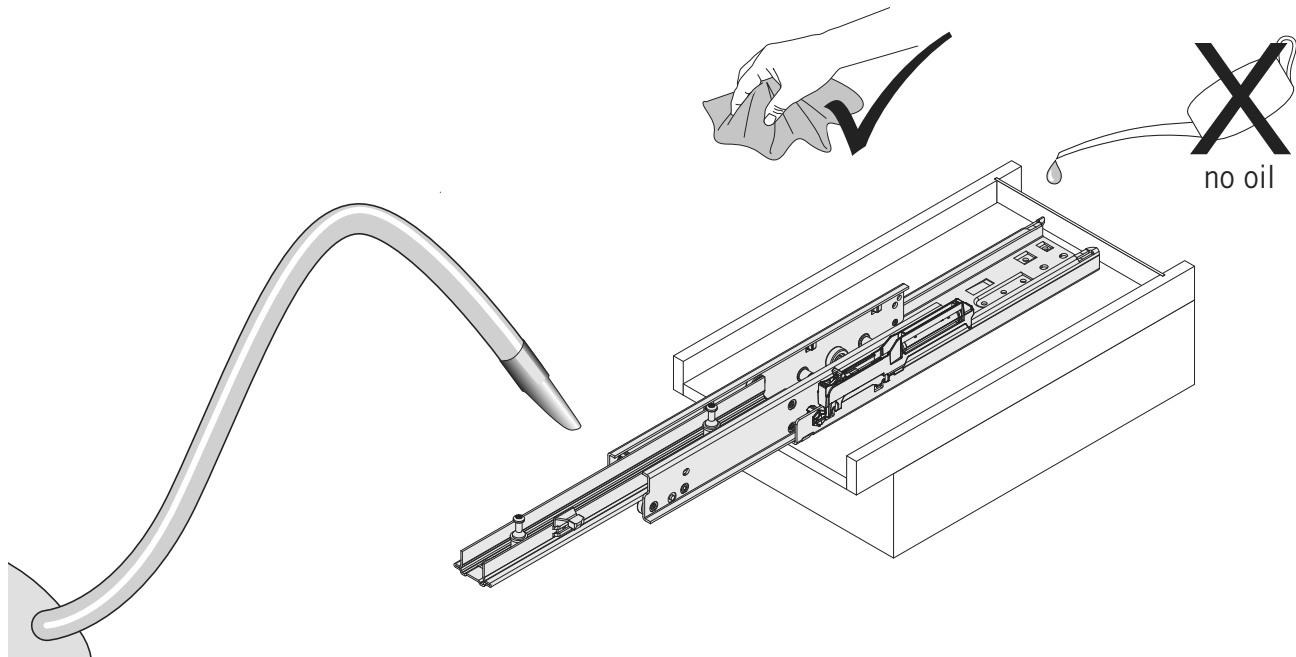
BEFORE USE OF THIS LARDER UNIT PLEASE ENSURE THE FOLLOWING IMPORTANT SAFETY POINTS HAVE BEEN FOLLOWED.

The bottom runner is clear of dirt and debris - Please do not use any lubricants (Page 7/12)

6



CLEANING THE LOWER RUNNER



clean with dry cloth and vacuum cleaner only