

Mirror Hinges

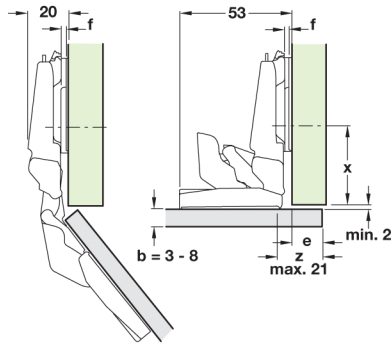
128° Mirror Door Hinges

A Mirror hinges

- Maximum opening angle 128°
- For double-sided mirror doors
- For overlay and inset doors
- Self-closing and free-swinging
- Hinge adapter **B** is glued into position, no need to route or drill the door
- **Important: Mirror hinge should not be used in conjunction with cam plates as adjustment of the plates can cause weakening of the glue**
- Choose mounting plates according to whether overlay or inset door required, and glue hinge adapter in suitable position
- Diecast nickel-plated
- * **UV bonding system cannot be used with these 2 items**
- **Please speak to glass manufacturer to specify correct glue**

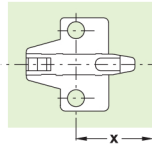
	Cat. No.
With spring	80290*
Without spring	80291

Order qty: 1 pc



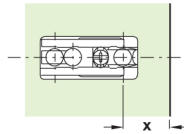
Cruciform mounting plate fitting dimensions

X = 37 mm with mounting plate for line boring 28 mm
X = 46 - 48 mm with mounting plate for line boring 37 mm



Straight mounting plate fitting dimensions

X = (depends on the mounting plate used) + 9 mm

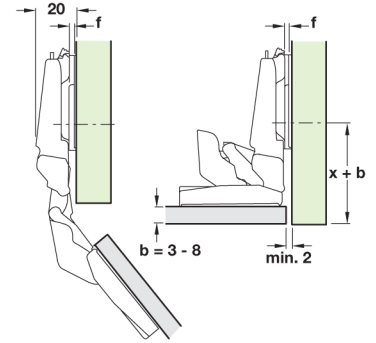
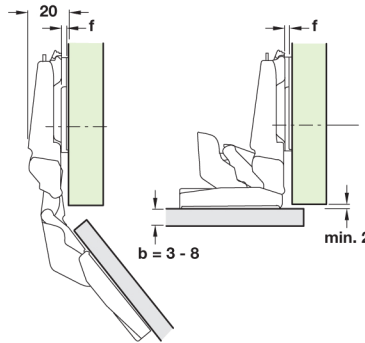


Mirror hinge fitting dimensions

e = Overlay of the door, depends on using adapter (**z**) and the mounting plate thickness. The max. overlay of 16 mm is achieved with a mounting plate thickness 0 mm and using the max. adjustment possible.

To achieve an inset door application the position of the mounting plate (**x**) and the glued on adapter (**z**) need to be moved

Important note: A min. gap of 2 mm all around the door is recommended to avoid breakage. The edge of the inset door should not touch the cabinet side while opening



B Hinge adapter

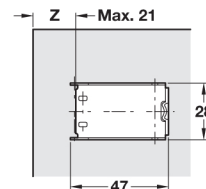
- Glued into position, no need to route or drill the door
- Stainless steel

	Cat. No.
Hinge adapter	80292*

Order qty: 1 pc

Dimensions for adapter overlay

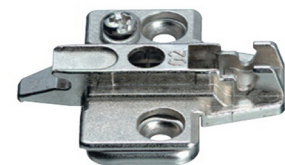
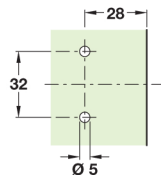
Z = Overlay **e** + 7 mm with mounting plate (f), height 0 mm
Z = Overlay **e** + 9 mm with mounting plate (f), height 2 mm



C Cruciform mounting plate

- For click on systems
- **28 mm** backset
- Varianta screw fixing
- Supercompact plate
- Nickel-plated zinc alloy

Height	Cat. No.
2 mm	81847



D Cruciform mounting plate

- For click on systems
- **28 mm** backset
- Hospa screw fixing
- One part plate
- Nickel-plated pressed steel

Height	Cat. No.
0 mm	81846

Order qty: 1 pc

