

Special hinge

- ▶ ET 582
- ▶ For refrigerator surrounds, opening angle 95°

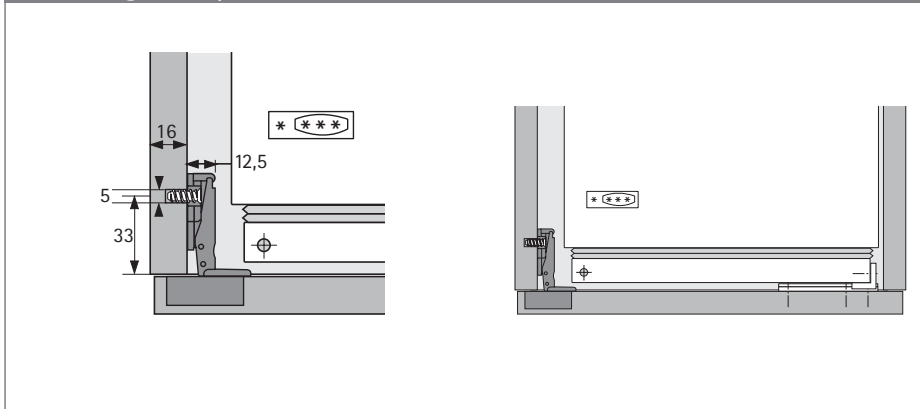


- ▶ For doors over 16 mm thick
- ▶ Cup diameter 35 mm
- ▶ Cup depth 12.8 mm
- ▶ With self-closing feature
- ▶ Complete with mounting plate and clipped-on plastic distance plate
- ▶ Using the plastic distance plate produces a distance of 3 mm
- ▶ Integrated overlay adjustment ± 1 mm
- ▶ Depth adjustment ± 3 mm
- ▶ Hinge arm: steel
- ▶ Hinge cup: zinc die-cast

Special hinge ET 582

Finish	Order no.	PU
Nickel-plated	0 072 134	1/10 ea.

Mounting example



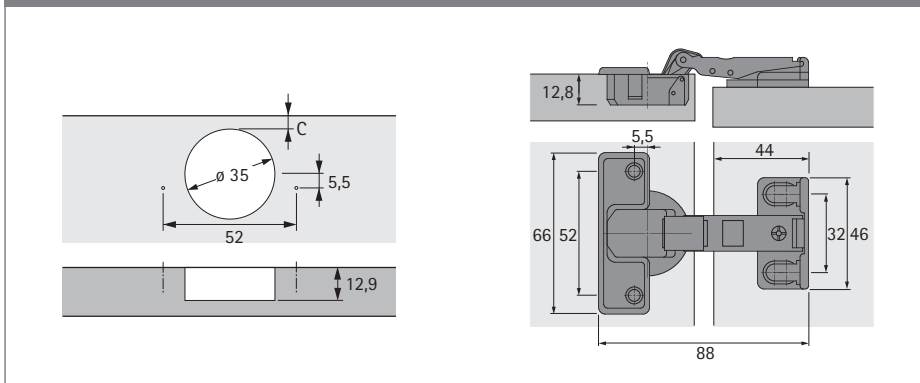
Note

Attachment of the mounting plate:
33 mm from cabinet front edge
Overlay 14.5 mm with distance 3 mm
and dimension C 4.5 mm.

Attachment of hinge cup with countersunk
fixing screws $\varnothing 3.5 \times 16$ mm
Hinge arm secured with direct
fixing screws $\varnothing 6.3 \times 11$ mm,
 $\varnothing 6.3 \times 13$ mm or $\varnothing 6.3 \times 15$ mm.

Screws, see page 110

Hole dimensions



Note

Dimension C can be freely selected between
3 mm and 5 mm

Mounting plate+ plastic distance plate= 3 mm distance		Mounting plate without plastic distance plate= 0 mm distance	
Dimension C mm	Overlay mm	Dimension C mm	Overlay mm
3.0	13.0	3.0	16.0
3.5	13.5	3.5	16.5
4.0	14.0	4.0	17.0
4.5	14.5	4.5	17.5
5.0	15.0	5.0	18.0