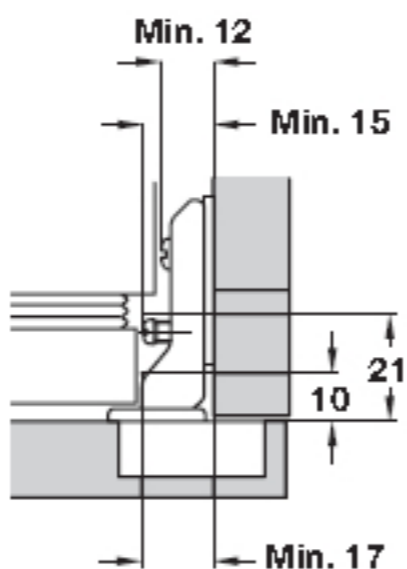
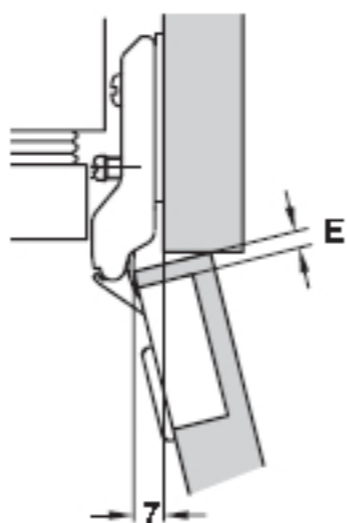
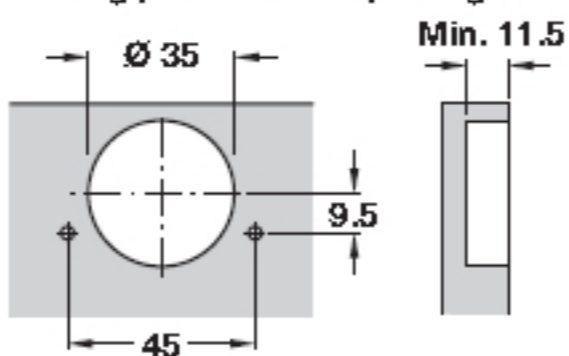


110° Hinge for cabinet with refrigerator



Drilling pattern for cup fixing



- > Opening angle 110°, Ø 35 mm cup
- > Screw fixing cup
- > Keyhole fixing arm
- > For door thicknesses up to 22 mm see table left
- > Full overlay mounting steel cup and zinc alloy hinge arm
- > Order qty: 1 pc

Häfele refrigerator hinge

Minimum gap for doors with chamfered edges (r = 1 mm) with factory setting

Door thickness mm	Distance to cup E mm		
	3.0	4.0	5.0
16	0.3	0.3	0.3
17	0.5	0.5	0.5
18	0.7	0.7	0.7
19	1.0	0.9	0.9
20	1.3	1.2	1.2
21	1.7	1.6	1.5
22	2.5	2.1	2.0
Minimum gap F			

