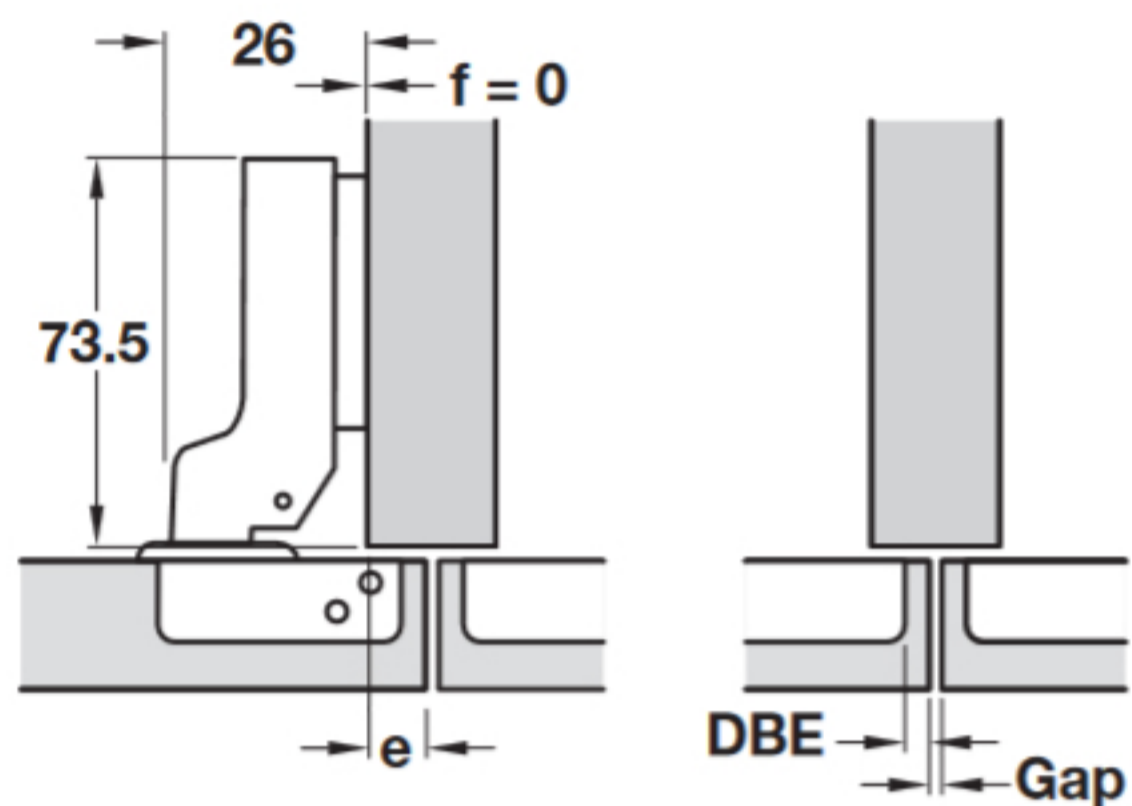


Half overlay mounting



Overlay - coverage of the side end by door e mm								
5	6	7	8	9	10	11	12	
				3	4	5	6	0
		3	4	5	6			2
3	4	5	6					4
DBE distance to cup bore edge mm						Mounting plate height f mm		



smuso



Drilling pattern	45/9.5
Screw fixing	