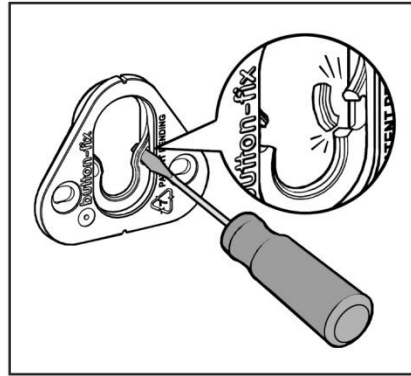


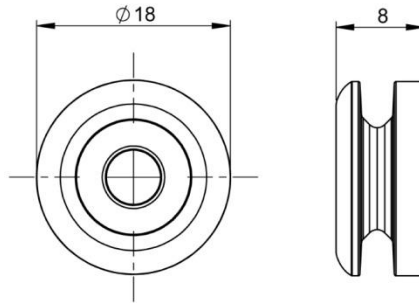
A useful tip

When several Button-fixes are used on a panel or if you require the panel to be easily removable, you may wish to reduce the strength of the click-fit.

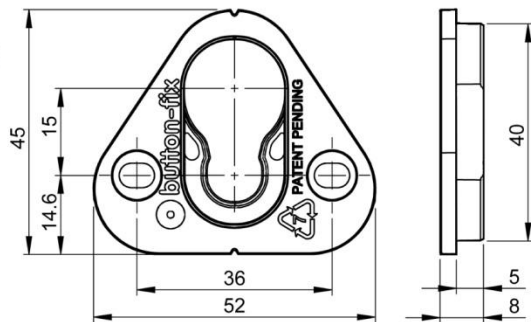
To achieve this adapt some (but not all) the Fix mouldings by popping out the ears with a flat screw driver, as shown in the diagram on the right.



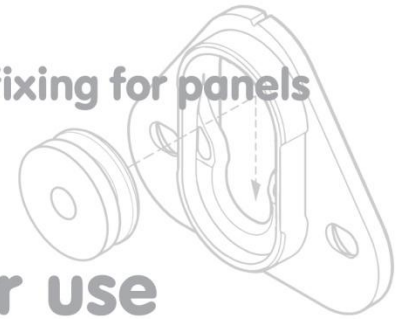
Button dimensions



Fix dimensions



button-fix™ the secret fixing for panels



instructions for use



For Type 1 Fix sets

Visit www.button-fix.com
for additional information



SDS LONDON LTD
183-189 NORTHCOTE ROAD
BATTERSEA. LONDON SW11 6QF
T: +44 (0) 207 228 1185
E: sales@sdslondon.co.uk

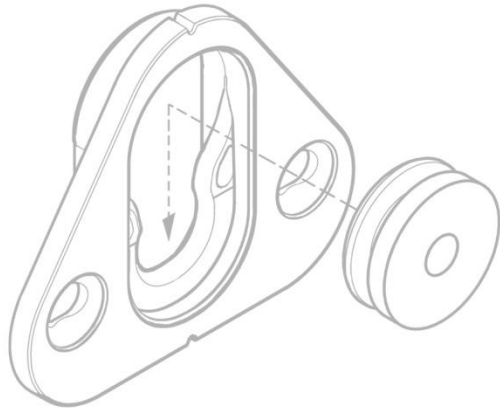
For a guide to peak load capacity refer to the test results on the website. For critical applications it is essential to perform your own tests with your materials and fixings.

The Button-fix concept is simple:

durable nylon Buttons are attached to the back of one panel and the mating Fixes are attached to the other. Bring the panels together and slide until the Button-fixes go 'click'.

Button-fix can be configured in many different ways to best suit your application, either surface-mounted or rebated into the panel, and orientated for vertical or sideways assembly.

The following pages illustrate these different configurations.



The button

There are two Buttons to suit different screw types. These are colour-coded lime green for Ø5mm countersunk wood screws, or orange for Ø6.2mm countersunk Euro screws (to fit Ø5mm pilot holes). Check with your panel supplier which screw type is best for your application.

Suggested layout

As an approximate guide, we suggest that Button-fix centres are no greater than 600mm apart and no closer than 35mm to the edge of the panel.

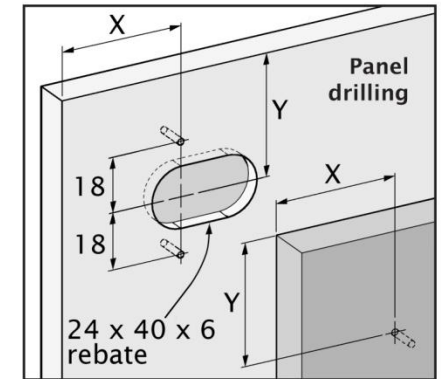
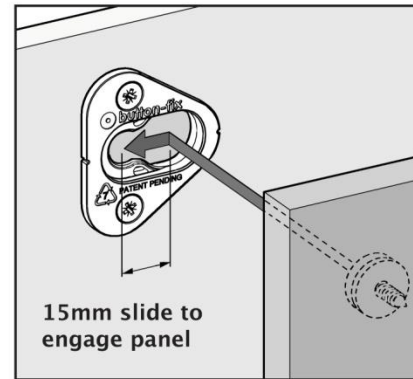
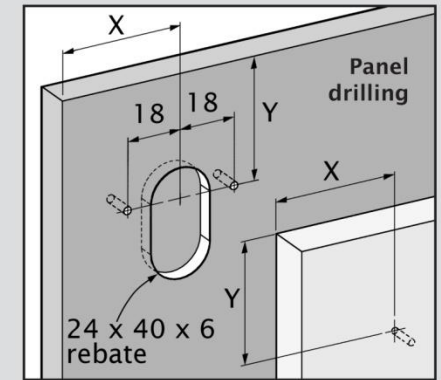
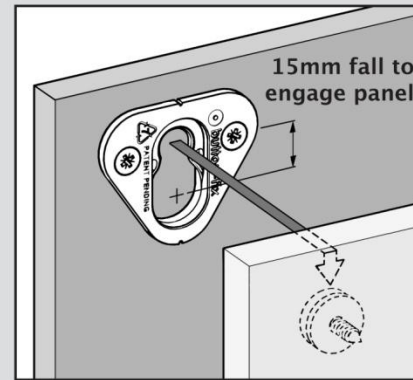
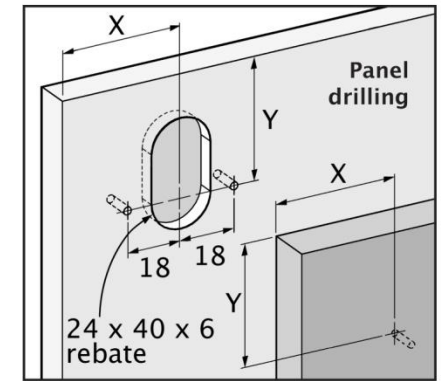
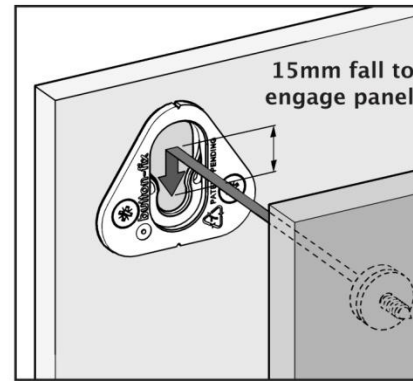
Always remember to allow at least 15mm clearance for the removable panel to disengage.

Button marker accessory

The Button marker accessory helps to mark out where to install the Buttons.

Once you have attached the Fix mouldings (see following pages), snap a marker into each one. Then position the second panel and press firmly. The markers will leave indents in the panel surface, which can be used as guides for drilling pilot holes for the Buttons.

Remove the markers, which can be re-used to mark out the next panel.



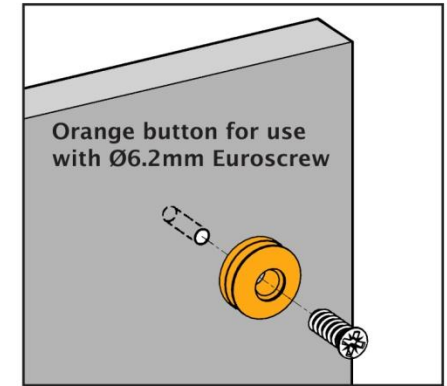
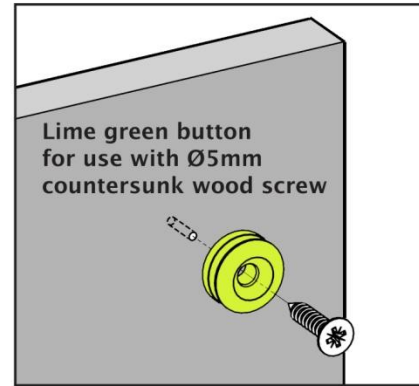
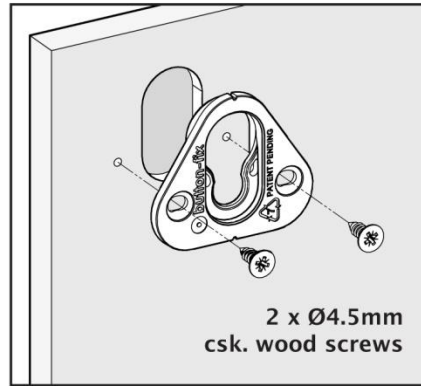
Rebated fix

Rebating the Fix creates a 3mm gap between the two panels. The Fix can be configured in three options:

1. BUTTON ON REMOVABLE PANEL

The Fix is attached to the background structure, pointing upwards as shown in the diagrams on the right.

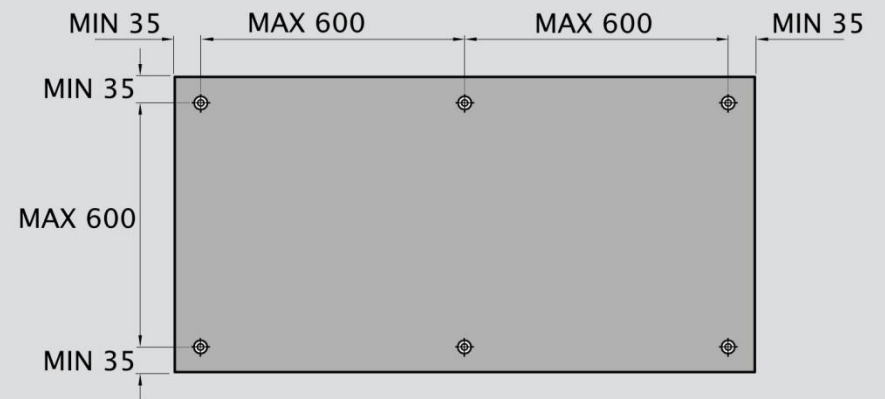
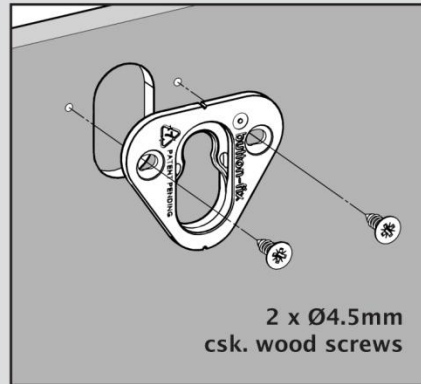
In this configuration, the panels engage vertically and 15mm clearance is required above the removable panel.



2. FIX ON REMOVABLE PANEL

The Fix is attached to the removable panel, pointing downwards as shown in the diagrams on the right.

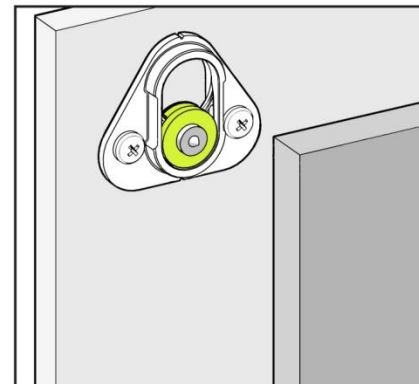
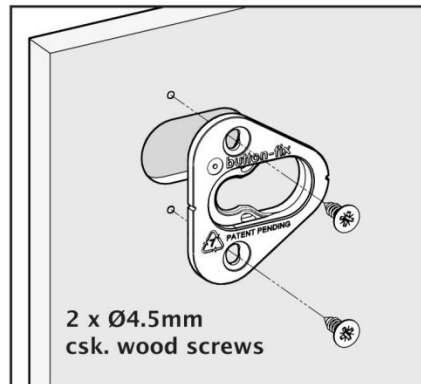
In this configuration, the panels engage vertically and 15mm clearance is required above the removable panel.



3. SIDEWAYS ARRANGEMENT

The Fix is attached to either the background structure or the removable panel, pointing sideways as shown in the diagrams on the right.

In this configuration, the panels engage horizontally and 15mm clearance is required to the side of the removable panel.



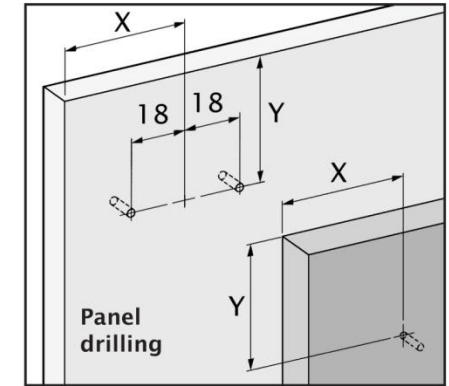
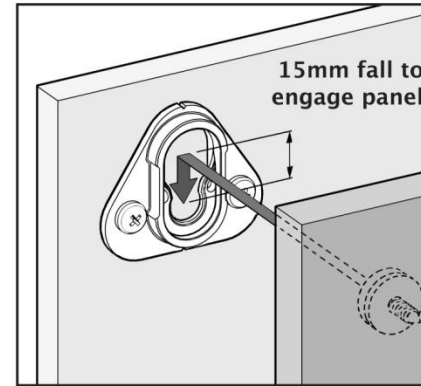
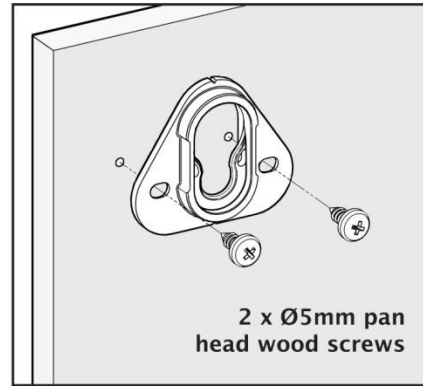
Surface-mounted fix

Surface mounting creates an 8mm gap between the two panels. The Fix can be configured in three options:

1. BUTTON ON REMOVABLE PANEL

The Fix is attached to the background structure, pointing upwards as shown in the diagrams on the right.

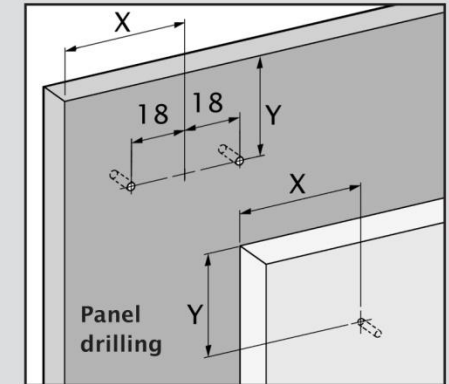
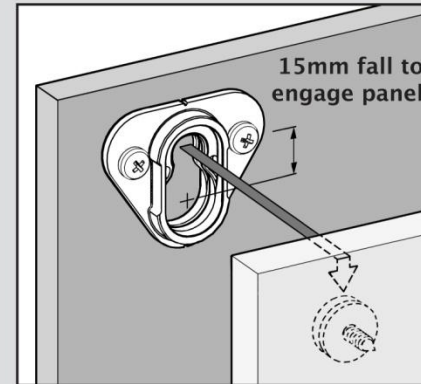
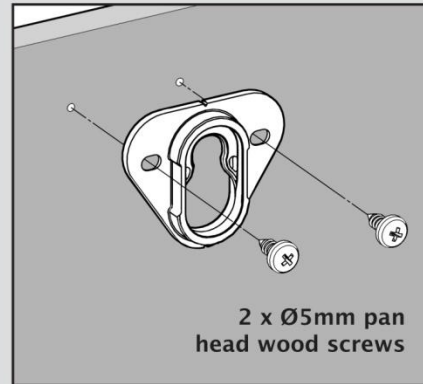
In this configuration, the panels engage vertically and 15mm clearance is required above the removable panel.



2. FIX ON REMOVABLE PANEL

The Fix is attached to the removable panel, pointing downwards as shown in the diagrams on the right.

In this configuration, the panels engage vertically and 15mm clearance is required above the removable panel.



3. SIDEWAYS ARRANGEMENT

The Fix is attached to either the background structure or the removable panel, pointing sideways as shown in the diagrams on the right.

In this configuration, the panels engage horizontally and 15mm clearance is required to the side of the removable panel.

