

With opening angle  $90^\circ$

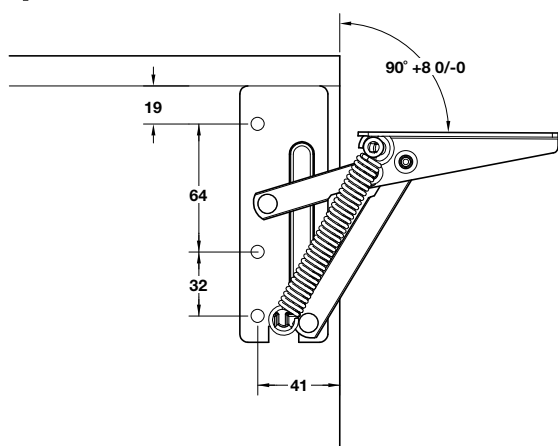
Material: Steel

Version: Soiral spring with automatic swing up and stop

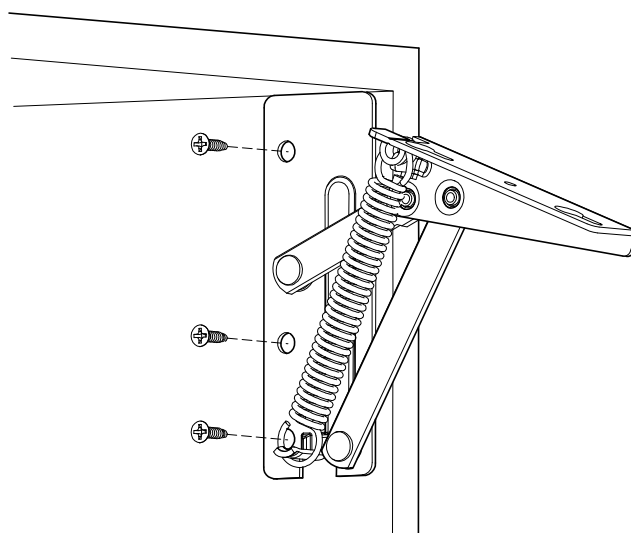
Spring force: Max 180N/Pair

Installation: For screw fixing into 32mm series drilled holes

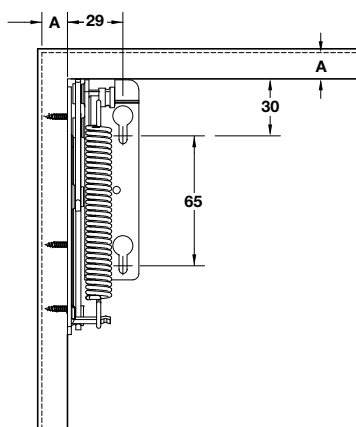
1



2



3



4

