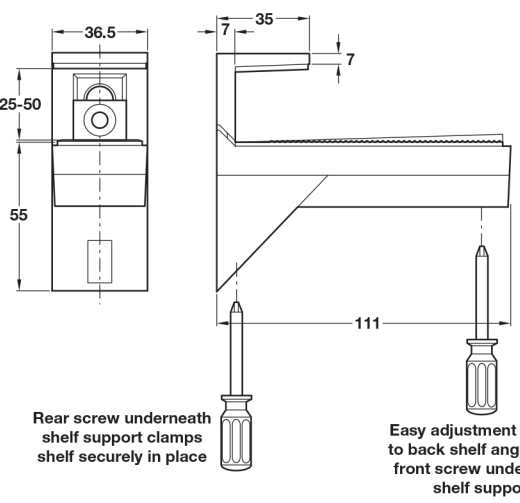




**Kalabrone Maxi shelf support for glass and wooden shelves**



- > Adjustable shelf support
- > For 25-50 mm shelf thickness
- > Special fixing method for fine adjustment of bracket height to ensure shelves are level
- > Shelf clamped between a layer of ridged plastic on the lower side and soft rubber on the upper side
- > Load capacity: 25 kg for a shelf 320 mm deep
- > These shelf supports can be spaced every 400-500 mm, depending on the use, load, material and thickness of the shelf
- > Engineering plastic is a high quality plastic with good strength and weight qualities
- > Zinc alloy and engineering plastic
- > Order qty: 1 pair



- Finish
- Polished chrome
  - Satin nickel
  - Silver coloured