

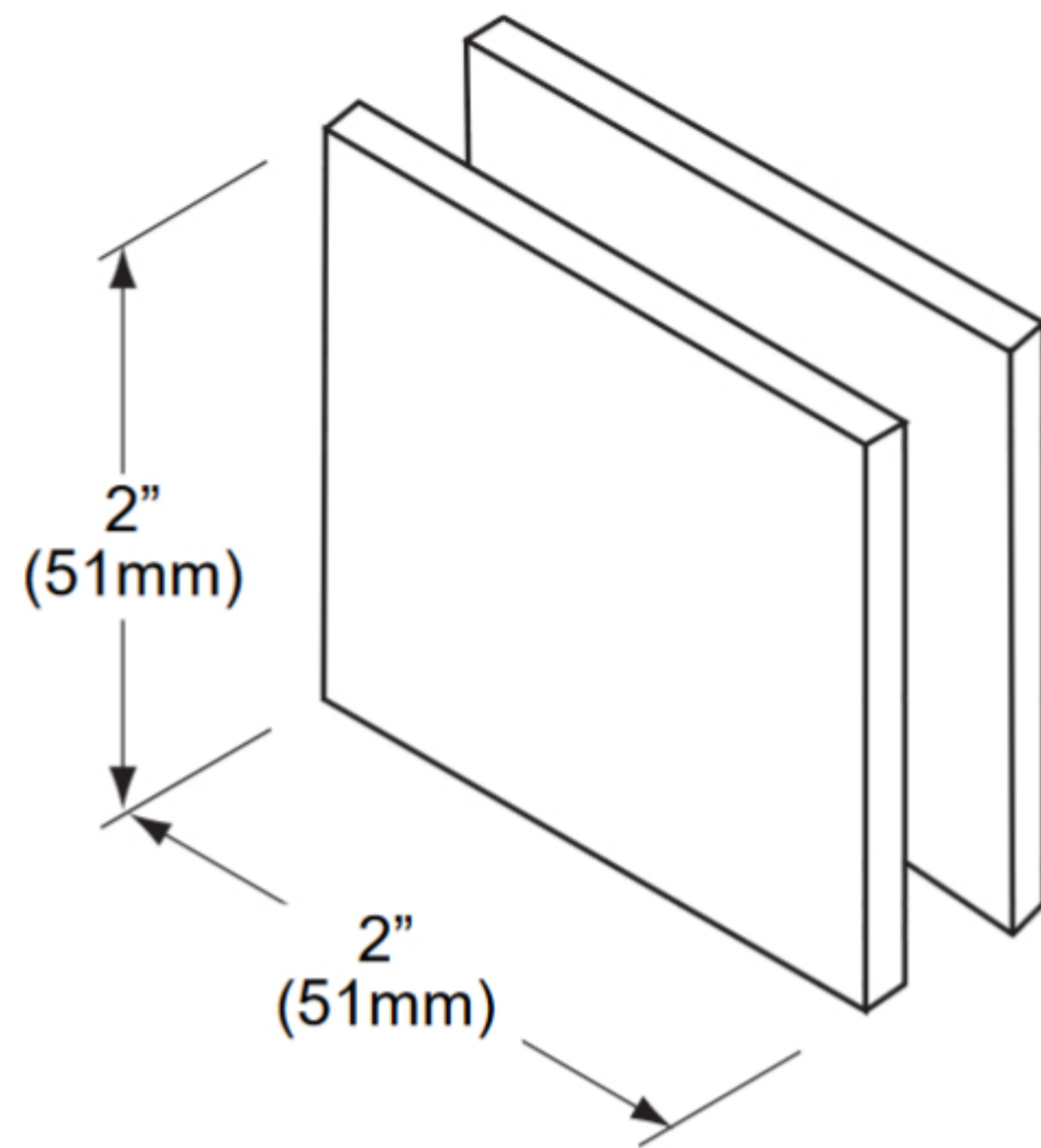
Specifications:

Material: Solid brass

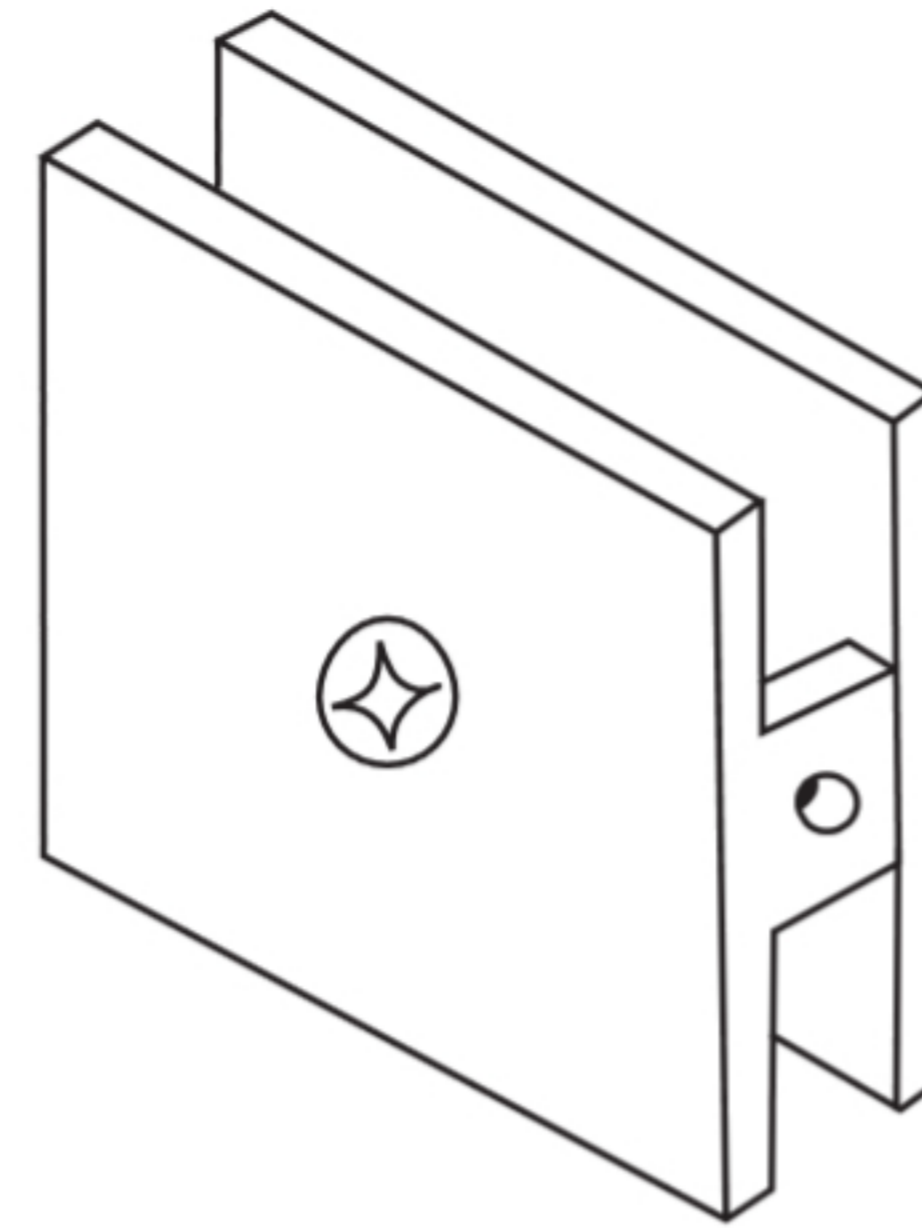
Glass Thickness Range: 3/8"(10mm) to 1/2"(12mm)

Hole Size Required: 5/8"(16mm) or 3/4"(19mm)

Includes: Mounting screws and gaskets



FRONT VIEW

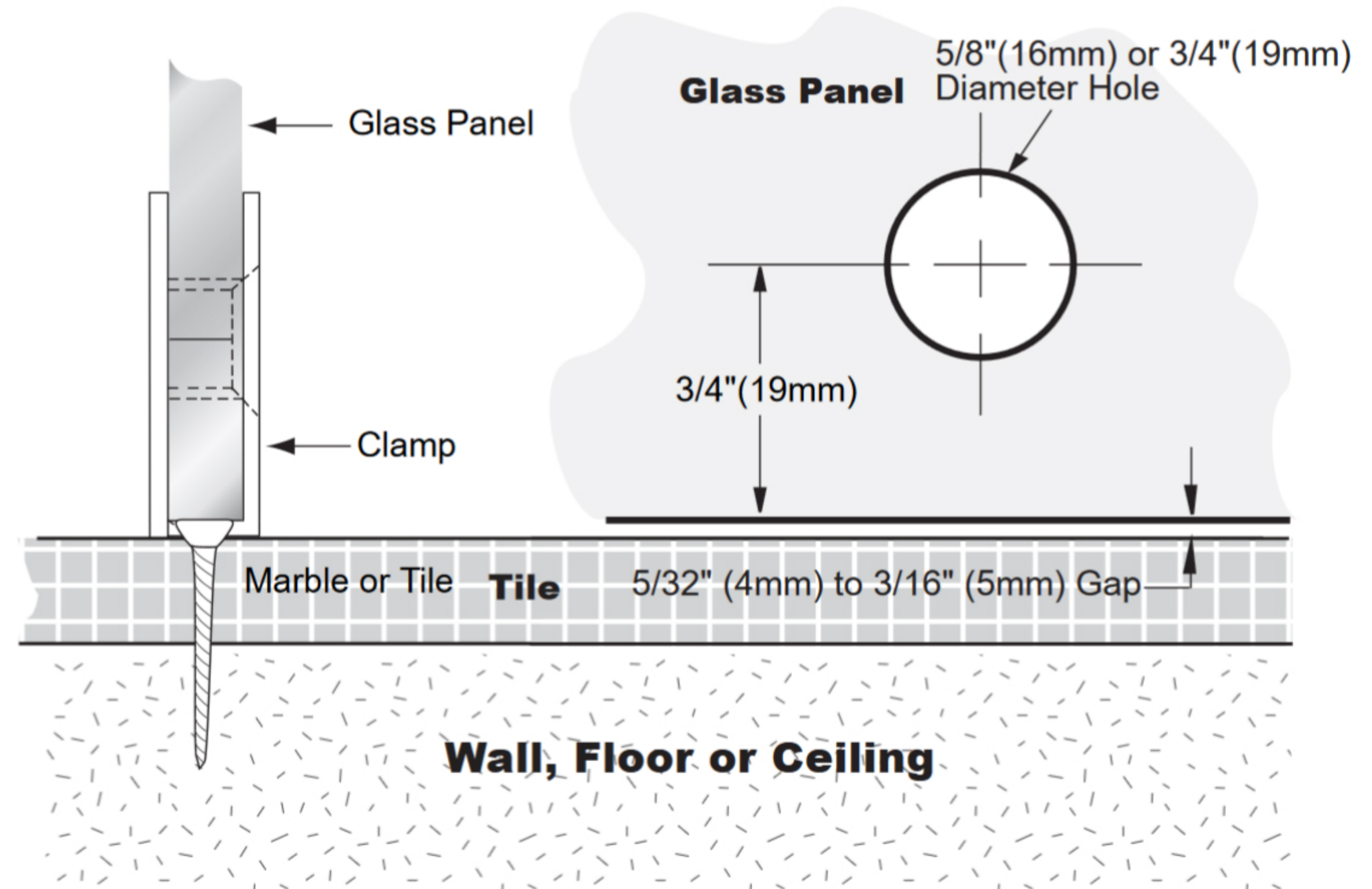


REAR VIEW

TEMPLATE

Important: Project measurements from the edge of the glass

TYPICAL INSTALLATION



ALWAYS USE DIMENSIONS



TO ENSURE ACCURACY

HEAVY DUTY GLASS CLAMPS

Fixed Panel Square U-Clamp