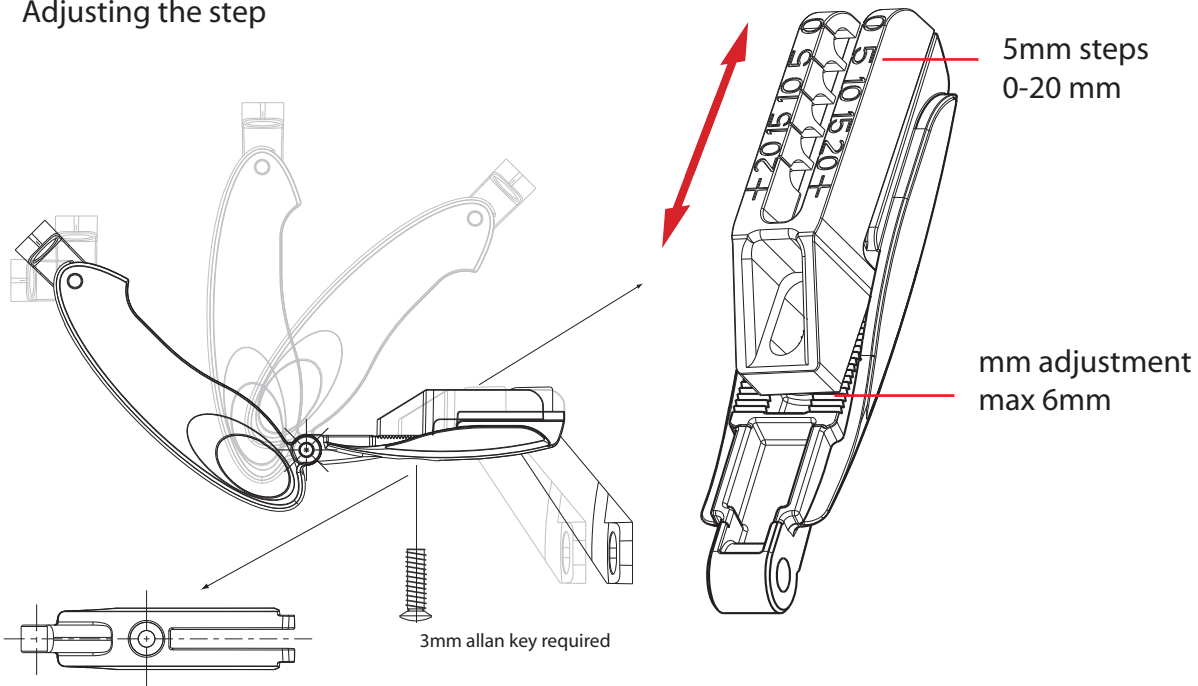


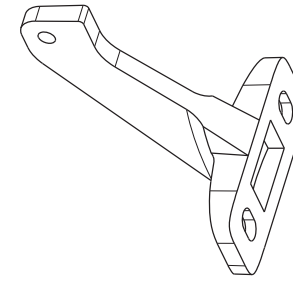
Adjusting the step



Open the duoflex opener, loosen off screw on base of opener using a 3mm allen key. This will release the top part of the bottom bracket allowing the arm to be inserted into appropriate slot. The top bracket can also be moved along the mm increments for finer adjustment. Once required step is achieved the screw at the bottom can be tightened back up and folding opener fitted to window.

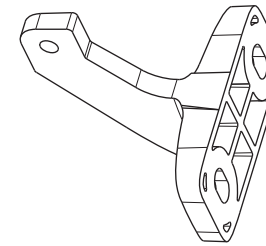
Stepped bracket

The stepped PVC bracket as standard is positioned in slot 20 and adjusted on site to suit profile.



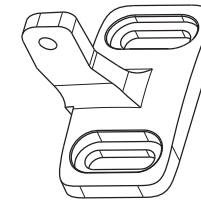
Flush bracket

The flush aluminium bracket as standard is positioned in slot 0 and adjusted on site to suit profile.

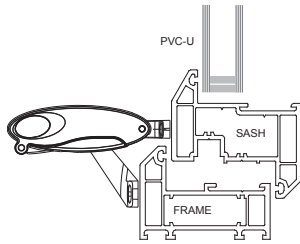


Recessed bracket

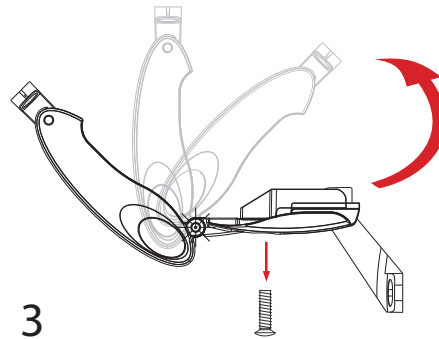
The recessed timber bracket as standard is positioned in slot 5 and adjusted on site to suit profile.



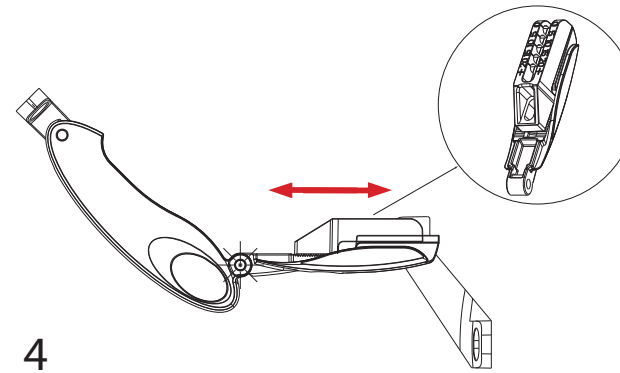
1



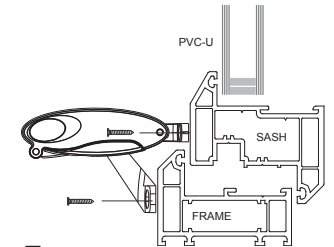
2



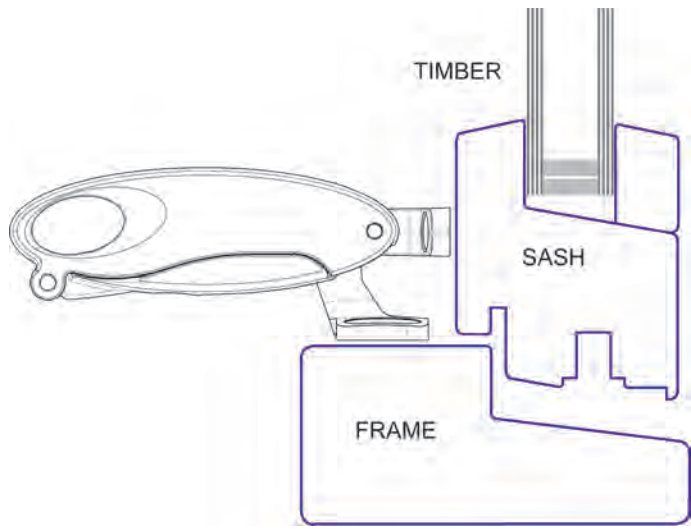
3



4



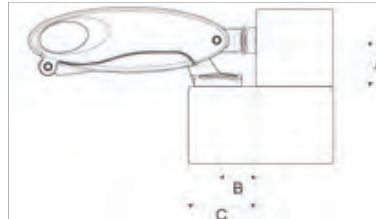
5



Installation example of timber recessed application folding opener in closed position.

STRDU01 Recessed

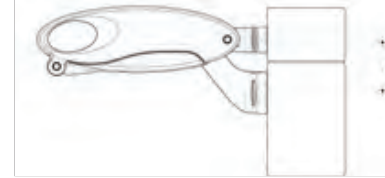
➤ For Timber frames



A = Fixing centre to frame 25mm
 B = Fixing centre to Sash 19mm
 C = Minimum frame width required 38mm

STRDU02 Flush

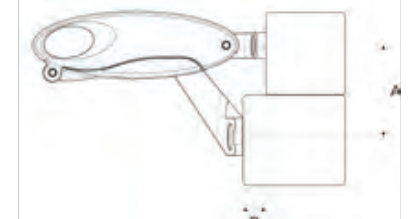
➤ For Timber, Aluminium or Steel Frames



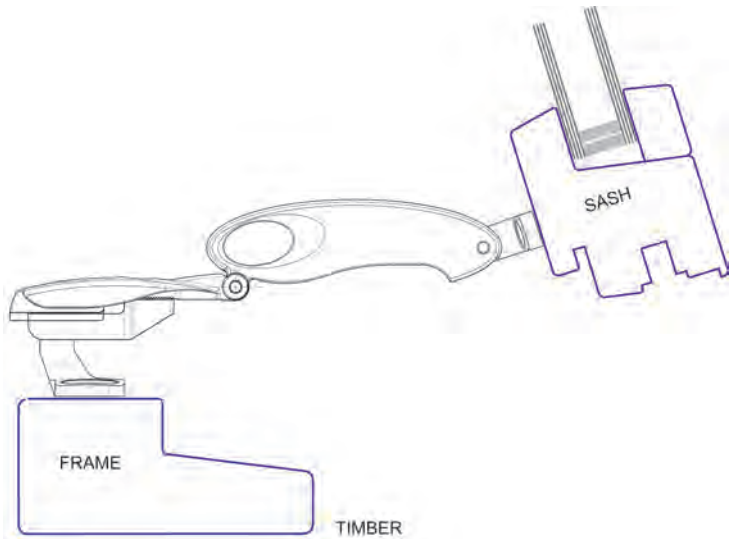
A = Distance between fixing centres 25mm
 Step (see B below) 0-10mm can be accommodated

STRDU03 Stepped

➤ PVC-U frames



A = Distance between fixing centres 48mm
 B = Step from face of sash to face of frame 16mm
 Step 0-26mm can be accommodated



Installation example of timber recessed application folding opener in open position.

