

VN 2927/160 Compact Planum

with reduced, elegant knuckle for unrebated heavy-duty doors with thin block frames and blind frames



Product features

- with reduced, elegant knuckle
- integral security pin
- for unrebated heavy-duty doors
- for block and blind frames
- with receiver in the door leaf
- comfortable 3D adjustment (side +/- 3.0 mm, height +/- 3.0 mm, compression +/- 1.0 mm)
- concealed, maintenance-free axial-radial slide bearings

Technical data

Property	Value
Load capacity	160.0 kg
Knuckle length	160.0 mm
Knuckle Diameter	15.0 mm
Cutter diameter	24.0 mm
Collar ring diameter	30.0 mm
Material thickness	3.0 mm
Screws	5.0 x 50.0 mm

Quality marks



CE certification



IFT certification



UKCA certification

Classification code

4	7	6	1 ⁻¹	1	- ⁻²	1	13 ⁻³
---	---	---	-----------------	---	-----------------	---	------------------

¹ Test evidence for functional doors to be achieved with full door sets and assemblies.

² depending on the finish

³ test cycles in continuous operation with 160 kg

VARIANT VN - VN 2927/160 Compact Planum

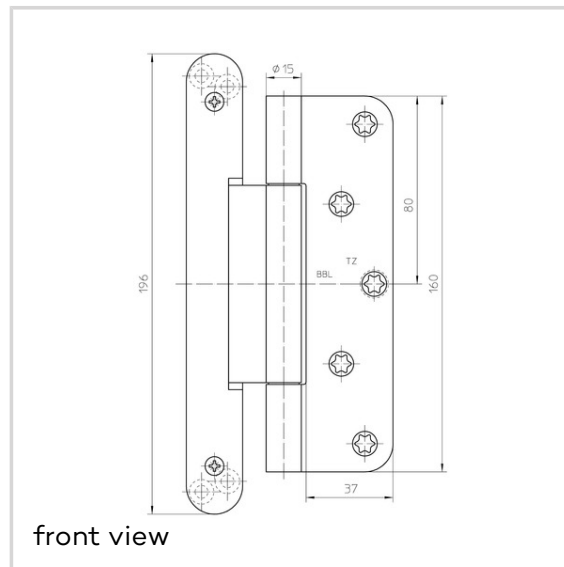
Notes

The load capacity mentioned above refers to the use of 2 hinges per door leaf (1 x 2 m), for detailed information please look at the chapter [technical information](#).

Adapted for the application on doors within the high-class sector the elegant, diameter-reduced hinge knuckle is ideal for slim, recessed frame facings.

Screws 4.5 x 50.0 mm can be used as an alternative for lowering the depth.

The suitability for fire doors depends on the door construction.



Installation tools

Universal milling frame

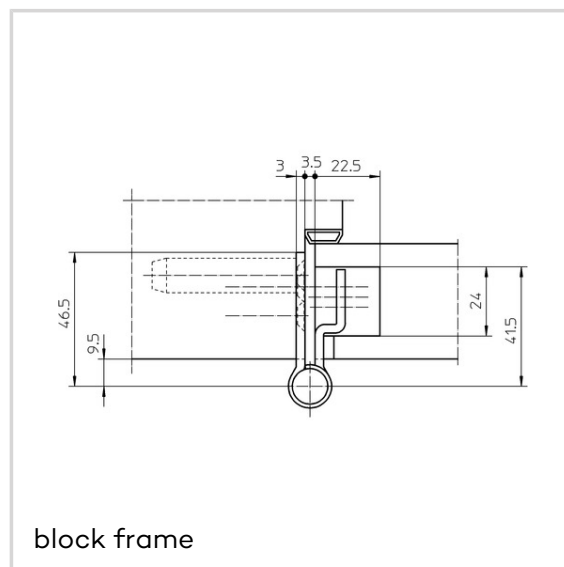
Template 5 250353 5

Template 5 250697 5

Template 5 250698 5

Template 5 250699 5

frame
door - step 1
door - step 2
door - step 3



Combinations

VN 2900/160

Function range



Fire resistance



Smoke resistance

Item versions

Finish	satin chromed F1 (SW 037)
VPE	Pack of 2

VARIANT VN - VN 2927/160 Compact Planum

DIN ITEM NO. ITEM NO. (SAP) EAN	DIN right and left hand 5 051602 0 03702 500000786 4015471103347
Finish VPE DIN ITEM NO. ITEM NO. (SAP) EAN	Satin Stainless Steel (SW 040) Pack of 2 DIN right and left hand 5 051602 0 04002 500000787 4015471103354
Finish VPE DIN ITEM NO. ITEM NO. (SAP) EAN	pol. Stainless Steel (SW 042) Pack of 2 DIN right and left hand 5 051602 0 04202 500000788 4015471116668
Finish VPE DIN ITEM NO. ITEM NO. (SAP) EAN	RAL 9005 Matte Black (SW 107) Pack of 2 DIN right and left hand 5 051602 0 10702 500000789 4015471140830