

VN 2927/120 Compact Planum

with reduced, elegant knuckle for unrebated heavy-duty doors with thin block frames and blind frames



Product features

- with reduced, elegant knuckle
- integral security pin
- for unrebated heavy-duty doors
- for block and blind frames
- with receiver in the door leaf
- comfortable 3D adjustment (side +/- 3.0 mm, height +/- 3.0 mm, compression +/- 1.0 mm)
- concealed, maintenance-free axial-radial slide bearings

Technical data

Property	Value
Load capacity	120.0 kg
Knuckle length	120.0 mm
Knuckle Diameter	15.0 mm
Cutter diameter	24.0 mm
Collar ring diameter	30.0 mm
Material thickness	3.0 mm
Screws	5.0 x 50.0 mm

Quality marks



CE certification



IFT certification



UKCA certification

Classification code

4	7	6	1 ⁻¹	1	- ⁻²	1	13
---	---	---	-----------------	---	-----------------	---	----

¹ Test evidence for functional doors to be achieved with full door sets and assemblies.

² depending on the finish

VARIANT VN - VN 2927/120 Compact Planum**Notes**

The load capacity mentioned above refers to the use of 2 hinges per door leaf (1 x 2 m), for detailed information please look at the chapter [technical information](#).

Adapted for the application on doors within the high-class sector the elegant, diameter-reduced hinge knuckle is ideal for slim, recessed frame facings.

Screws 4.5 x 50.0 mm can be used as an alternative for lowering the depth.

The suitability for fire doors depends on the door construction.

Installation tools

Universal milling frame

Template 5 250354 5

Template 5 250697 5

Template 5 250698 5

Template 5 250699 5

frame

door - step 1

door - step 2

door - step 3

Function range

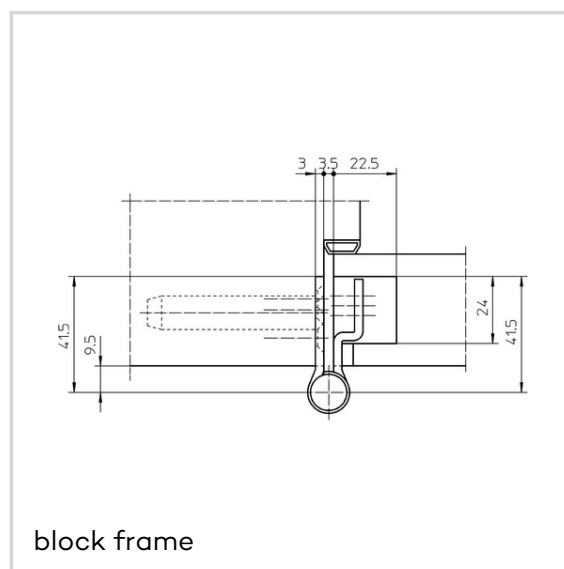
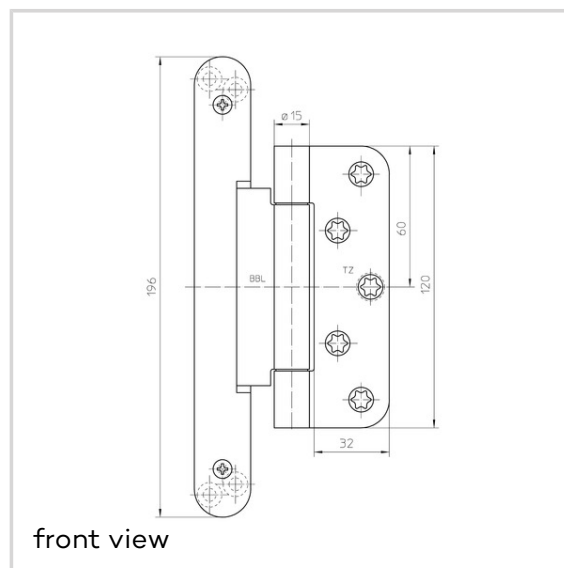
Fire resistance



Smoke
resistance

Item versions

Finish	satin chromed F1 (SW 037)
VPE	Pack of 2
DIN	DIN right and left hand
ITEM NO.	5 040772 0 03702
ITEM NO. (SAP)	500000567
EAN	4015471112974



VARIANT VN - VN 2927/120 Compact Planum

Finish	Satin Stainless Steel (SW 040)
VPE	Pack of 2
DIN	DIN right and left hand
ITEM NO.	5 040772 0 04002
ITEM NO. (SAP)	500000568
EAN	4015471112981