

SIKU - K 4045 3D

K 4045 3D

for lightweight PVCu doors for flexible fixing

**Product features**

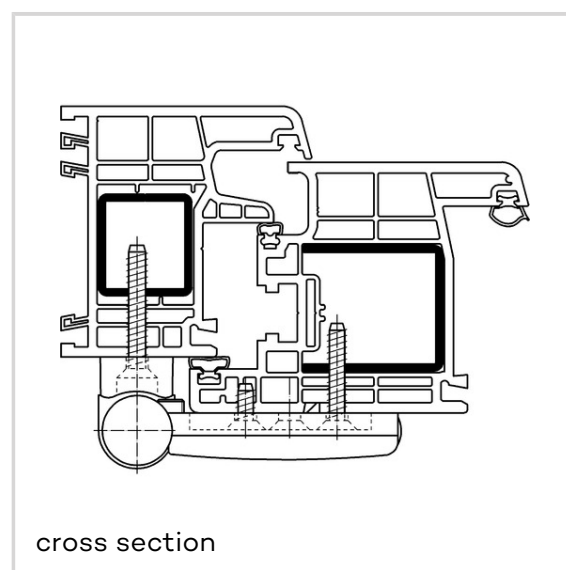
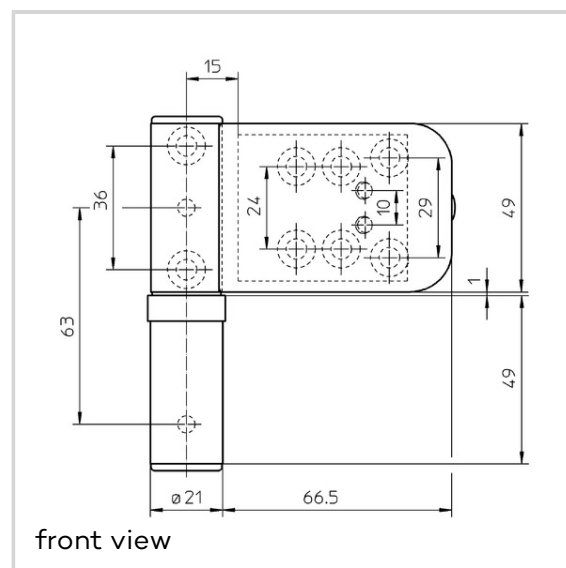
- for overlap thicknesses 15-19 mm
- door part for flexible fixing
- 3D adjustment (side +/- 5.0 mm, height + 5.0/- 1.0 mm, compression +/- 2.0 mm)
- with integral security pin
- maintenance-free slide bearings

Technical data

| Property | Value |
|------------------|----------|
| Load capacity | 80.0 kg |
| Knuckle length | 100.0 mm |
| Knuckle Diameter | 21.0 mm |
| Pin diameter | 8.0 mm |

Notes

The load capacity mentioned above refers to the use of 2 hinges per door leaf (1 x 2 m), for detailed information please look at the chapter [technical information](#).



SIKU - K 4045 3D

Installation tools

Drilling jig SIKU Series K4
simultaneous fixing Type 4

Item versions

| | |
|----------------|---------------------------------|
| Finish | RAL 9016 Traffic White (SW 070) |
| VPE | Pack of 2 |
| DIN | DIN right and left hand |
| ITEM NO. | 5 190820 0 07003 |
| ITEM NO. (SAP) | 500002357 |
| EAN | 4015471088644 |
| Finish | RAL 9016 Traffic White (SW 070) |
| VPE | Pack of 12 |
| DIN | DIN right and left hand |
| ITEM NO. | 5 190820 0 07023 |
| ITEM NO. (SAP) | 500002358 |
| EAN | 4015471086794 |
| Finish | H9 Brown (SW 071) |
| VPE | Pack of 2 |
| DIN | DIN right and left hand |
| ITEM NO. | 5 190820 0 07103 |
| ITEM NO. (SAP) | 500002359 |
| EAN | 4015471088651 |
| Finish | H9 Brown (SW 071) |
| VPE | Pack of 12 |
| DIN | DIN right and left hand |
| ITEM NO. | 5 190820 0 07123 |
| ITEM NO. (SAP) | 500002360 |
| EAN | 4015471086800 |
| Finish | Satin Chrome Look (F1) (SW 124) |
| VPE | Pack of 2 |
| DIN | DIN right and left hand |
| ITEM NO. | 5 190820 0 12403 |

SIKU - K 4045 3D

| | |
|----------------|-----------------------------------|
| ITEM NO. (SAP) | 500002362 |
| EAN | 4015471119713 |
| Finish | RAL 7016 Anthracite Grey (SW 184) |
| VPE | Pack of 2 |
| DIN | DIN right and left hand |
| ITEM NO. | 5 190820 0 18403 |
| ITEM NO. (SAP) | 500004488 |
| EAN | 4015471147044 |
| Finish | RAL 1036 Pearl Gold (SW 198) |
| VPE | Pack of 2 |
| DIN | DIN right and left hand |
| ITEM NO. | 5 190820 0 19803 |
| ITEM NO. (SAP) | 500002363 |
| EAN | 4015471117849 |