

## K 4040 3D

for lightweight PVCu entrance doors and side entrance doors with angular fixing cams



### Product features

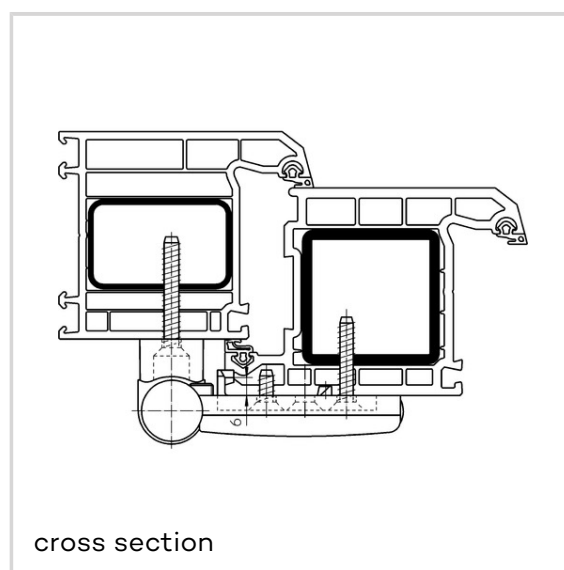
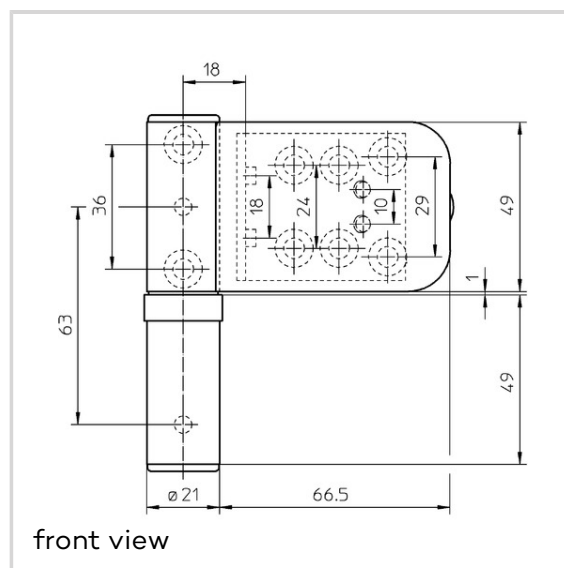
- for overlap thicknesses 15-19 mm
- door part with angular fixing cams for extremely high pull-out strength
- 3D adjustment (side +/- 5.0 mm, height + 5.0/- 1.0 mm, compression +/- 2.0 mm)
- with integral security pin
- maintenance-free slide bearings

### Technical data

| Property         | Value    |
|------------------|----------|
| Load capacity    | 80.0 kg  |
| Knuckle length   | 100.0 mm |
| Knuckle Diameter | 21.0 mm  |
| Pin diameter     | 8.0 mm   |

### Notes

The load capacity mentioned above refers to the use of 2 hinges per door leaf (1 x 2 m), for detailed information please look at the chapter [technical information](#).



## SIKU - K 4040 3D

## Installation tools

Telescope jig SIKU Series  
K4 Type 3

Drilling jig SIKU Series K4  
simultaneous fixing Type 3

## Item versions

|                |                                 |
|----------------|---------------------------------|
| Finish         | RAL 9016 Traffic White (SW 070) |
| VPE            | Pack of 2                       |
| DIN            | DIN right and left hand         |
| ITEM NO.       | 5 190810 0 07003                |
| ITEM NO. (SAP) | 500002345                       |
| EAN            | 4015471086763                   |
| Finish         | RAL 9016 Traffic White (SW 070) |
| VPE            | Pack of 12                      |
| DIN            | DIN right and left hand         |
| ITEM NO.       | 5 190810 0 07023                |
| ITEM NO. (SAP) | 500002346                       |
| EAN            | 4015471086756                   |
| Finish         | H9 Brown (SW 071)               |
| VPE            | Pack of 2                       |
| DIN            | DIN right and left hand         |
| ITEM NO.       | 5 190810 0 07103                |
| ITEM NO. (SAP) | 500002347                       |
| EAN            | 4015471090265                   |
| Finish         | H9 Brown (SW 071)               |
| VPE            | Pack of 12                      |
| DIN            | DIN right and left hand         |
| ITEM NO.       | 5 190810 0 07123                |
| ITEM NO. (SAP) | 500002348                       |
| EAN            | 4015471086770                   |
| Finish         | RAL 9005 Matte Black (SW 107)   |
| VPE            | Pack of 2                       |

**SIKU - K 4040 3D**

|                |  |
|----------------|--|
| DIN            | DIN right and left hand                  |
| ITEM NO.       | 5 190810 0 10703                         |
| ITEM NO. (SAP) | 500002352                                |
| EAN            | 4015471144104                            |
| Finish         | Satin Chrome Look<br>(F1) (SW 124)       |
| VPE            | Pack of 2                                |
| DIN            | DIN right and left hand                  |
| ITEM NO.       | 5 190810 0 12403                         |
| ITEM NO. (SAP) | 500002354                                |
| EAN            | 4015471142735                            |
| Finish         | RAL 9006 White Alu,<br>clear lc (SW 204) |
| VPE            | Pack of 12                               |
| DIN            | DIN right and left hand                  |
| ITEM NO.       | 5 190810 0 20423                         |
| ITEM NO. (SAP) | 500002356                                |
| EAN            | 4015471135799                            |