

Brass Hinge - Ref. 0305 Finial

Suitable for cabinets and lightweight flush doors and windows

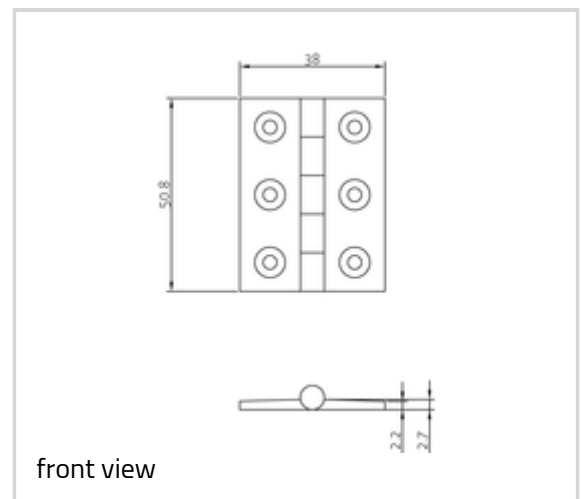


Product features

- optional detachable decorative finials
- Stainless steel pin
- 10 year performance guarantee
- suitable for cabinets and lightweight flush doors and windows

Technical details

Attributes	Value
Load capacity	20.0 kg
Knuckle diameter	6.3 mm
Overall length	50.8 mm
Overall width	38.0 mm
Material thickness	2.2 mm
Screws	6.0 mm



Note

Supplied complete with fixing screws if required. Special finishes available upon request.

Brass Hinges - Brass Hinge - Ref. 0305 Finial

Item

Finish(es)	UK 501 - Aged Brass
OF-NR.	501
VPE	à 10 Pair
DIN	DIN right and left hand
Item No.	0305
Finish(es)	UK 502 - Antique Brass
OF-NR.	502
VPE	à 10 Pair
DIN	DIN right and left hand
Item No.	0305
Finish(es)	UK 503 - Antique nickel
OF-NR.	503
VPE	à 10 Pair
DIN	DIN right and left hand
Item No.	0305
Finish(es)	UK 504 - Black nickel
OF-NR.	504
VPE	à 10 Pair
DIN	DIN right and left hand
Item No.	0305
Finish(es)	UK 506 - Copper
OF-NR.	506
VPE	à 10 Pair
DIN	DIN right and left hand
Item No.	0305
Finish(es)	UK 505 - Copper Bronze
OF-NR.	505
VPE	à 10 Pair
DIN	DIN right and left hand
Item No.	0305
Finish(es)	UK 507- Honeycombe
OF-NR.	507
VPE	à 10 Pair
DIN	DIN right and left hand
Item No.	0305

Brass Hinges - Brass Hinge - Ref. 0305 Finial

Finish(es)	UK 508 - Imitation Bronze
OF-NR.	508
VPE	à 10 Pair
DIN	DIN right and left hand
Item No.	0305
Finish(es)	UK 509 - Midnight
OF-NR.	509
VPE	à 10 Pair
DIN	DIN right and left hand
Item No.	0305
Finish(es)	UK 510 - Pearl Nickel
OF-NR.	510
VPE	à 10 Pair
DIN	DIN right and left hand
Item No.	0305
Finish(es)	UK 511 - Polished chrome
OF-NR.	511
VPE	à 10 Pair
DIN	DIN right and left hand
Item No.	0305
Finish(es)	UK 512 - Polished & Lacquered
OF-NR.	512
VPE	à 10 Pair
DIN	DIN right and left hand
Item No.	0305
Finish(es)	UK 513 - Polished Nickel
OF-NR.	513
VPE	à 10 Pair
DIN	DIN right and left hand
Item No.	0305
Finish(es)	UK 514 - Satin Brass & Lacquered
OF-NR.	514
VPE	à 10 Pair
DIN	DIN right and left hand
Item No.	0305
Finish(es)	UK 515 - Satin Chrome

Brass Hinges - Brass Hinge - Ref. 0305 Finial

OF-NR.	515
VPE	à 10 Pair
DIN	DIN right and left hand
Item No.	0305
Finish(es)	UK 516 - Satin nickel
OF-NR.	516
VPE	à 10 Pair
DIN	DIN right and left hand
Item No.	0305