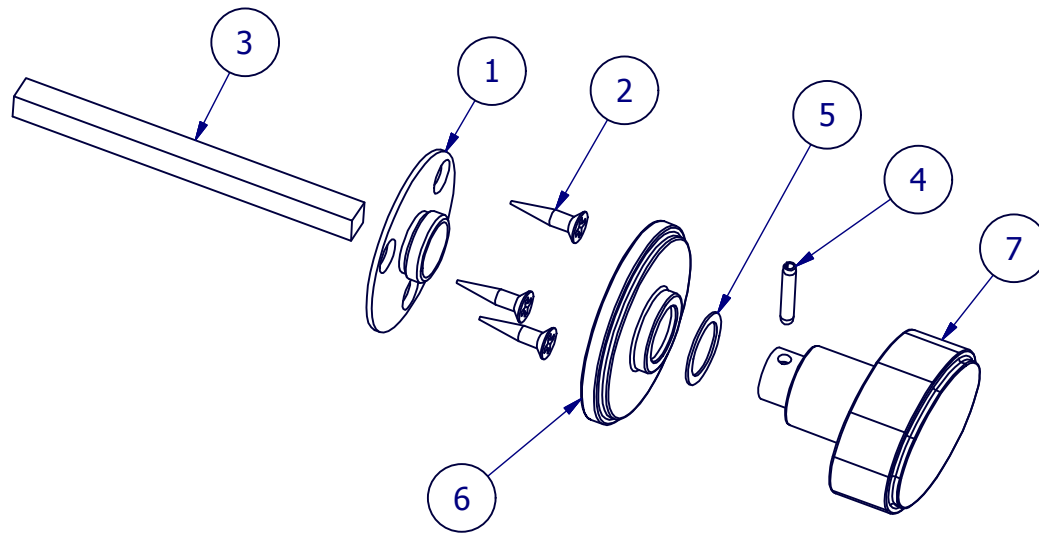


Parts List

ITEM	QTY	PART NUMBER	DESCRIPTION
1	1	1-5933	CHASSIS
2	3	9-2201	No.4 X 1/2" CSK ZP POZI TWINS
3	1	1-5635	STEEL SPINDLE 3/16"
4	1	9-102	PIN-SPRING .0085 X 0.50
5	1	9-1632	WASHER
6	1	1-9068	
7	1	1-9069	



TOLERANCES UNLESS STATED  
 DIMENSIONS ARE IN MILLIMETRES  
 SURFACE TEXTURE VALUES ARE IN MICROMETRES  
 MACHINE WHERE MARKED ✓

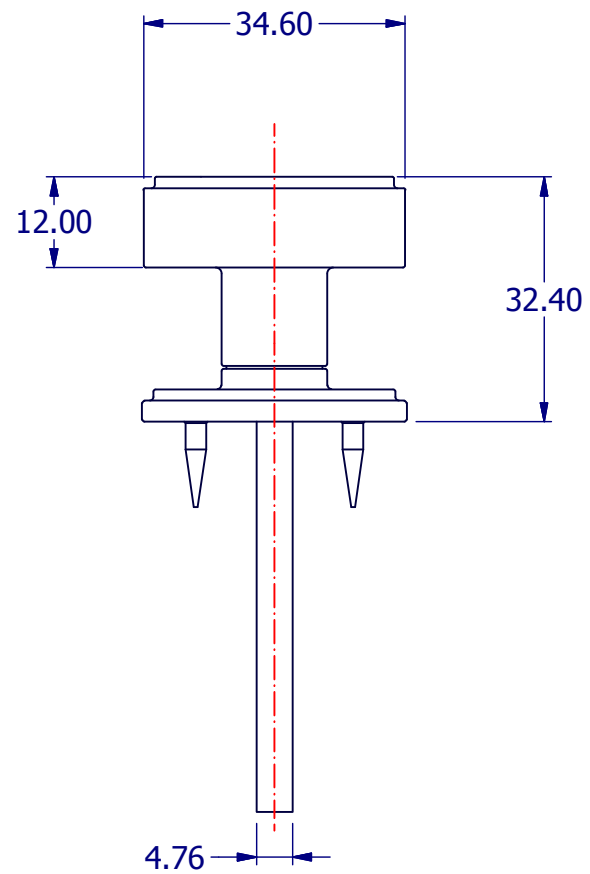
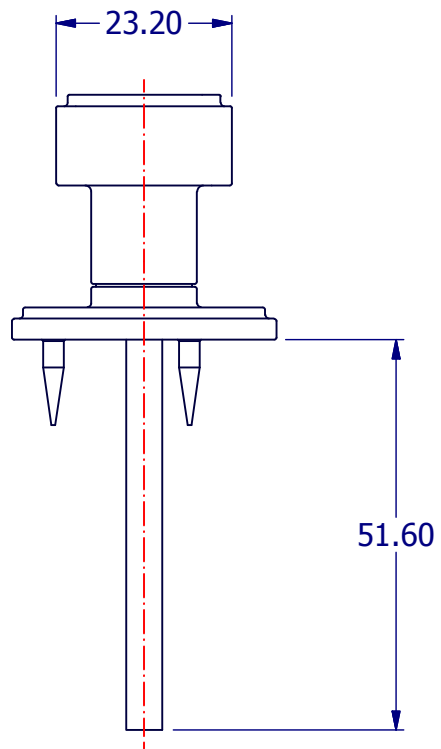
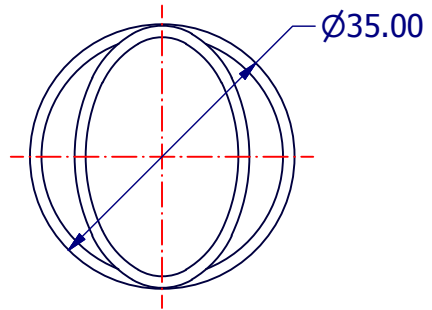
UP TO 6 ± 0.10  
 OVER 6 UP TO 30 ± 0.20  
 OVER 30 UP TO 120 ± 0.30  
 OVER 120 UP TO 315 ± 0.50  
 OVER 315 UP TO 1000 ± 0.50  
 OVER 1000 UP TO 2000 ± 0.50

MATERIAL	VARIOUS	SCALE	NTS
BRASS MASS	0.084 kg	DRAWN BY	A.PRICE
TREATMENT		DATE	29.06.15
FINISH	VARIOUS	CHECKED	AD

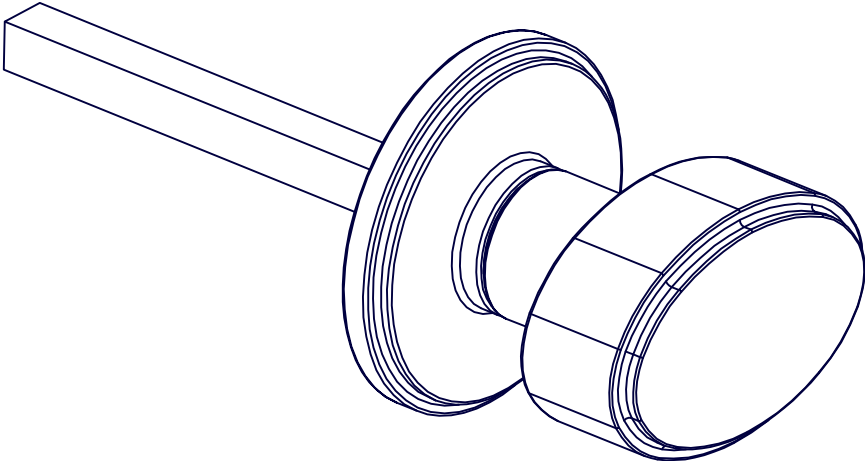
TITLE:	BATHROOM THUMB TURN
PROJECT:	940



A4	THIRD ANGLE PROJ
ISS DATE	29.06.15
ISS NO	1
SHEET	1
DRG No	P8165-T



PROPERTY OF SAMUEL HEATH ©			DESIGNER	A.PRICE	
A4	DRG No.	P8165-T	ISSUE NO.	1	ISSUE DATE 29.06.15



PROPERTY OF SAMUEL HEATH ©			DESIGNER	A.PRICE		
A4	DRG No	P8165-T	ISSUE NO.	1	ISSUE DATE	29.06.15