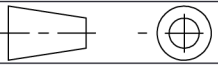


NOTES:

b. See individual part drawings for dimensions.

c. Countersink for 02/083b No.8 slot countersunk head screws in 8 positions. (screws supplied).

d. Product size from 100mm to XXXmm in 5mm increments.

Iss	Date	Comments	By	Scale	Reference Number
1	27/02/09	New drawing	DJ	1:1	A3
2	24/11/10	Solid pin replaces sp ^{ir}	DJ	All Dimensions in mm Tolerance ±0.50 - unless stated	D 0250x/100 sales
				Finish: $\sqrt{\text{V}}$ on visible machined surfaces - unless stated Unspec Radii: n.a. Unspec Draft: n.a.	Title/Description
					30508 shutter bar.
				Material/Manufacture	
				Brass assembly	
Drawn: DJ		Checked:		Sheet 1 of 1	
3rd Angle Projection – DO NOT SCALE 					
Dimensions in brackets () are for reference only, tolerances do not apply					

