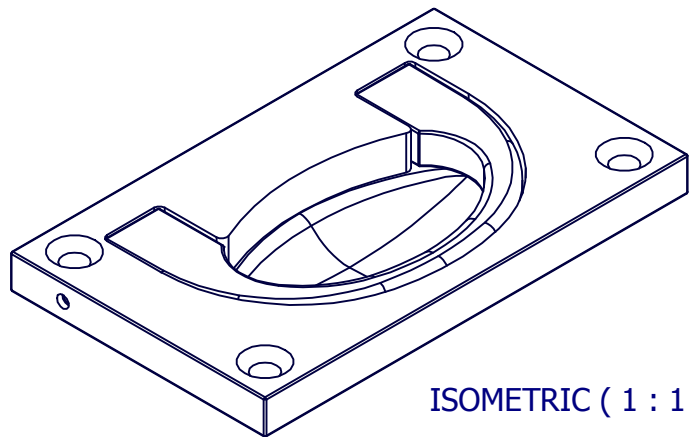
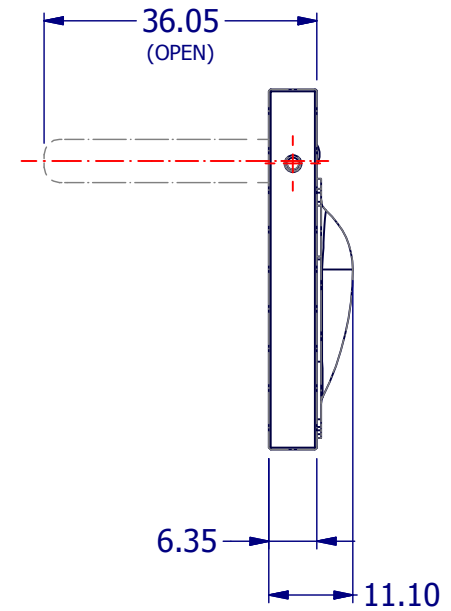


Ø4.30 HOLE  
C'SNK Ø7.60



ISOMETRIC ( 1 : 1 )