

COBURN SLIDING SYSTEMS

Hillaldam Coburn Limited, Unit 6, Wyvern Estate, Beverley Way, New Malden, Surrey KT3 4PH Tel: 0181 336 1515

61-600 HIDEAWAY™ JOINTING KIT

For joining two COBURN H30 or H36 Hideaway™ Pocket Door Frames

INSTALLATION INSTRUCTIONS

Note: Please read all instructions (including those for the pocket door frames) before commencing installation.

CONTENTS

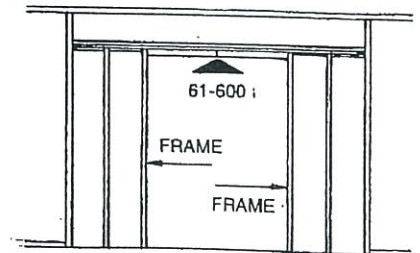
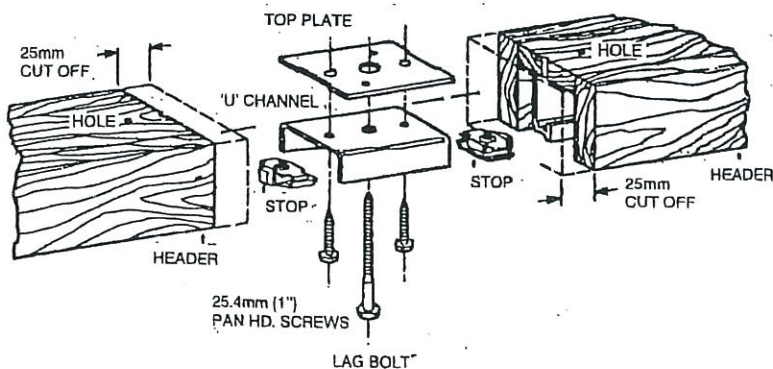
1	'U' Channel	1	Top Plate
2	Door Stops	1	Lag Bolt
2	Screws		

1 Prepare Rough Opening and Drive Header Support Starter Nails

The width of the rough opening should be four times the door width. Otherwise proceed as indicated in the instructions supplied with the pocket door frame kit.

2 Cut Header Assembly & Track to Length

- a) Remove adjustable end bracket (from "door opening" end of each header) and discard.
- b) If using a door frame kit for the correct size of door (i.e. H30 for a 760mm (2'6") door) cut 25mm from the length of each header (wood part only) where the discarded brackets had been located. **Ensure ends are cut square to keep header straight when joined.**
- c) If the door is a non-standard size follow the instructions enclosed with the frame kit but **cut an additional 25mm from the length of each header as explained in (b).**



3 Assemble Headers

- a) Butt the cut ends together and insert 'U' channel aligning the cut ends of the headers with the centre mark stamped in the channel.
- b) Using the channel as a guide drill two 5mm holes through the headers at the outer channel holes. Insert screws through these holes and into the top plate on top of the header.
- c) Tighten, forming a one-piece header.
- d) Drill a 6mm hole at the channel centre where the headers meet to enable the lag screw to be fastened into the rough header for increased centre support once the Header Assembly is installed.
- e) Insert stops into the track, leave loose until the doors are hung, then tighten.
- f) Proceed with frame instructions from '4 Install Header Assembly' inserting the Lag Bolt when the header is in place.