

MARATHON 55 & 90

- SLIDING
- WOOD
- METAL
- 55kg
90kg



Pair of doors (illustrated) requires 2 kits.

Doors not supplied by P. C. Henderson

When it comes to heavy duty or light commercial sliding doors and partitions, the Marathon is in a class of its own. Designed for timber, timber framed and composite doors, it offers a unique simultaneous opening action, easily adjusted door heights and a fire door kit option for the Marathon 90, and it can also be used externally with weather protection.

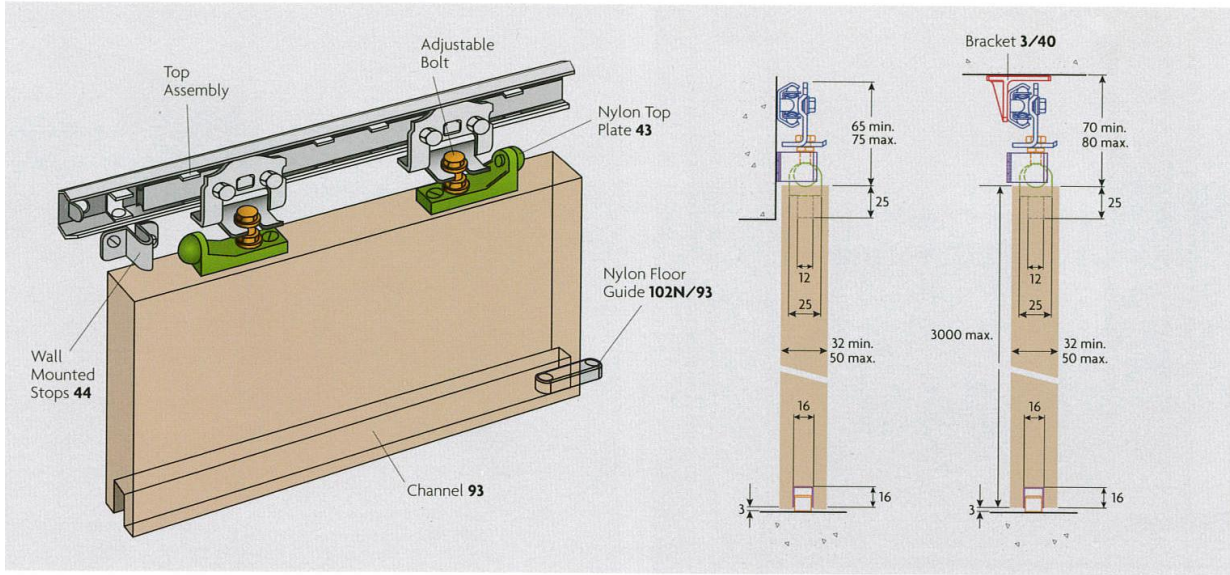
Available as the Marathon 90 for doors of up to 90kg and the Marathon 55 for doors of up to 55kg, it can handle door thicknesses of between 32-50mm and doors up to 2500mm wide.

STANDARD KIT ORDER CODES

Product	Order Code	No. of Doors	Track Length	Opening Width Range	Max Door Weight	Door System
Marathon 55	J2	1	1219mm	400 - 750mm	55kg	
	J3	1	1473mm	750 - 900mm	55kg	
	J4	1	1702mm	900 - 1050mm	55kg	
	J5	1	1981mm	1050 - 1200mm	55kg	
	J6*	1	2438mm	1200 - 1500mm	55kg	
Marathon 90	S2	1	1219mm	400 - 750mm	90kg	
	S3	1	1473mm	750 - 900mm	90kg	
	S4	1	1702mm	900 - 1050mm	90kg	
	S5	1	1981mm	1050 - 1200mm	90kg	
	S6*	1	2438mm	1200 - 1500mm	90kg	
	S7*	1	3048mm	1500 - 1800mm	90kg	
	S8*	1	3226mm	1800 - 2000mm	90kg	
	S9*	1	4420mm	2000 - 2500mm	90kg	

MARATHON 55 & 90

SLIDING WOOD METAL 55kg 90kg



STANDARD DOOR KIT

For Marathon 55:

- Top Assembly x1
- Nylon Top Plates x2 (43)
- Wall Mounted Stops x2 (44)
- Nylon Floor Guide x1* (102N/93)
- Guide Channel x1 (93)

For Marathon 90:

- Top Assembly x1
- Nylon Top Plates x2 (43)
- Wall Mounted Stops x2 (44)
- Nylon Floor Guide x1* (102N/93)
- Guide Channel x1 (93)

* 2 Guides are supplied in the J6, S6, S7, S8 and S9 kits.

OPTIONAL EXTRAS

Order Code

Upgrade your installation with your choice of the following high quality accessories.

- Soffit Brackets x5 3/40
- Self-Closing System Pulley Assembly (doors up to 60kg) SCK1
- Biparting Unit (2 doors each max 900mm) 23
- Pelmet 40P/1854
- Pelmet End Cap EC40P
- Fire Door Kit FDK1/FDK2

Handles & Locks

Those little extras that can make a big difference. Choose from a variety of premium handle and lock upgrades.

- Flushpull 400
- Flushbolt 333
- Lock 295

