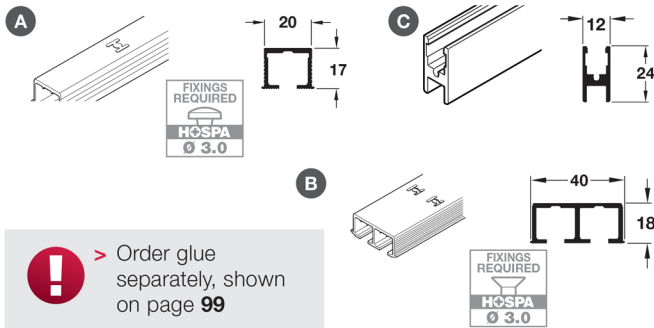


EKU-CLIPO 36GPK and 36GPPK tracks and profiles



! > Order glue separately, shown on page 99

> Tracks A and B for min. 30 mm thick upper carcass

A Single top track, with screw holes for soffit fixing into a groove, bright aluminium

B Double top track, with screw holes for soffit fixing into a groove, bright aluminium

C Frame profile, glue to glass, silver anodised aluminium

Item

A Single top track

B Double top track

C Frame profile

EKU-CLIPO 36GPK and 36GPPK end piece



> 2x End pieces, for single top track, cap to support ends of track

> Grey plastic

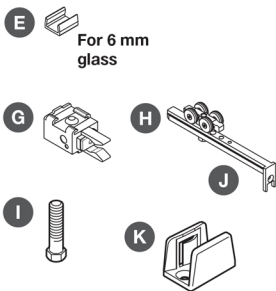
> Order qty: 1 pc (4 pcs required per 2 or 3 door application)

Additional items

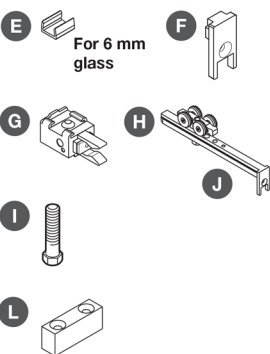
D 2x end pieces

EKU-CLIPO 36GPK and 36GPPK fitting sets

EKU Clipo 36GPK



EKU Clipo 36GPPK



> Fitting set consists of:

E Spacer, for use with 6 mm glass in profile E, grey plastic

F Profile cover cap, GPPK, screw fixing to bottom profile E, zinc alloy

G Stopper, for top track, with retaining spring, grey plastic

H Running gear, ± 2 mm vertical adjustment, bright zinc alloy

I Mounting screw, M5 x 20, for fixing running gear to suspension block, galvanized steel

J Suspension block, for insertion and screw fixing in profile E, bright zinc alloy

K Bottom guide, GPK, for glass thickness 6-8 mm, screw fixing to base, matt chrome-plated aluminium

L Bottom guide, GPPK, rattle-proof, screw fixing to base for use with profile E, grey plastic

	36GPK	36GPPK
For 1 door		
E Spacer	2 pcs	4 pcs
F Profile cover cap, GPPK	-	2 pcs
G Stopper	2 pcs	2 pcs
H Running gear	2 pcs	2 pcs
I Mounting screw	2 pcs	2 pcs
J Suspension block	2 pcs	2 pcs
K Bottom guide, GPK	1 pc	-
L Bottom guide, GPPK	-	1 pc

Additional items

Order qty

F Profile cover cap, GPPK

1 pc

K Bottom guide, GPK

1 pc

EKU-CLIPO 36GPK and 36GPPK push button



! > Push button cylinder locks for glass panels 6-8 mm thick. Accessories: 2 keys

M Push button cylinder lock, left or right hand, for installation in the end of profile E, matt chrome-plated zinc alloy

> Order qty: 1 pc (order 1 pc per pair of doors)

Additional items

Cat. No.

M Push button, left hand

M Push button, right hand