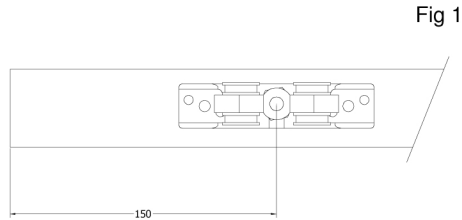
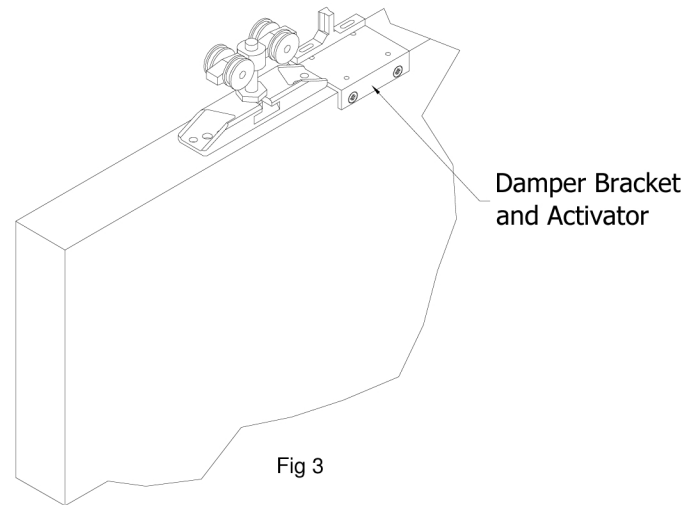
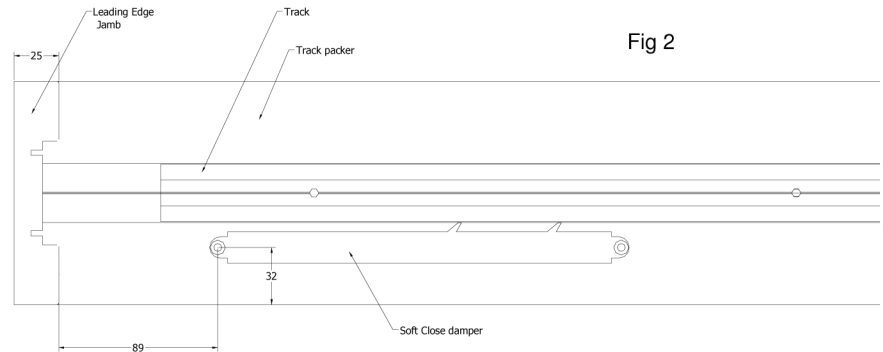


PC4 Portman soft closer damper. For doors weighing up to 80kg



(N.B – Make sure the trolleys are positioned as shown in [Fig.1](#))

1. Place trolley catch at back of pocket only, see corresponding Portman door kit fitting instructions for details.
2. Fit the soft close damper in the position shown in [Fig.2](#)(Viewed looking up at the track), using the screws provided. Ensure that it is installed the correct way round.
3. Fix the black plastic damper activator to the Damper bracket using the small machine screws in the outer most holes when used on a 44mm thick door. (For a 35mm thick door use the second set of holes). And fix to the top of the door as shown in [Fig.3](#).
4. A 240x10deepx15mm high mortice needs to be removed from the Door head timber jamb for the soft close damper.
5. Fit the door head jamb.
6. Test the operation of the closer mechanism before enclosing the pocket.



WARNING! DO NOT APPLY ANY ADDITIONAL SUBSTANCES, LUBRICANTS ETC. TO THE DAMPER. DOING SO MAY DAMAGE THE PRODUCT AND VOID THE WARRANTY.