

**PORTMAN**

# P7300 Architrave Free Kit FITTING INSTRUCTIONS

For use with 44mm thick doors only  
For Single and Double doors

**IF INSTALLING A TOUCH LATCH, PLEASE READ THE  
CORRESPONDING FITTING INSTRUCTIONS FIRST**



(Image for reference only)

## SUGGESTED TOOLS



DRILL



G-CLAMP



TAPE MEASURE



HACKSAW



PLUMB LINE



HANDSAW



SPIRIT LEVEL



PROTECTIVE EQUIPMENT

## COMPONENTS

### POCKET DOOR KIT

- SHORT / LONG 'Z' SECTION
- LONG 'Z' SECTION
- TRACK PACKER
- PLYWOOD TRACK MOUNT
- ALUMINIUM TRACK
- DOOR BOTTOM CHANNEL
- SOLE PLATE
- DOOR SEAL

### DOOR JAMB SET

- HEAD SECTION
- FRONT EDGE JAMB
- CASSETTE EDGE JAMB

### SLIDING MECHANISM

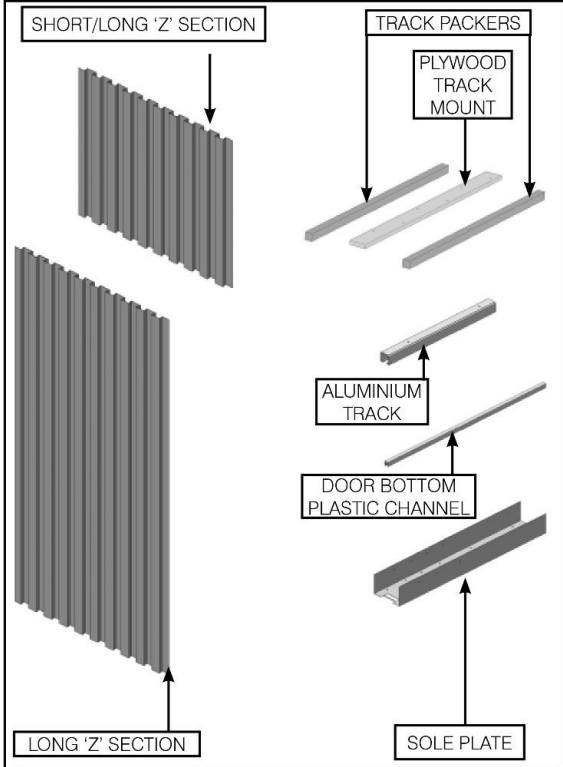
- TROLLEY CATCH
- TROLLEY ASSEMBLY
- BRACKET
- FLOOR GUIDE

### FIXING ITEMS

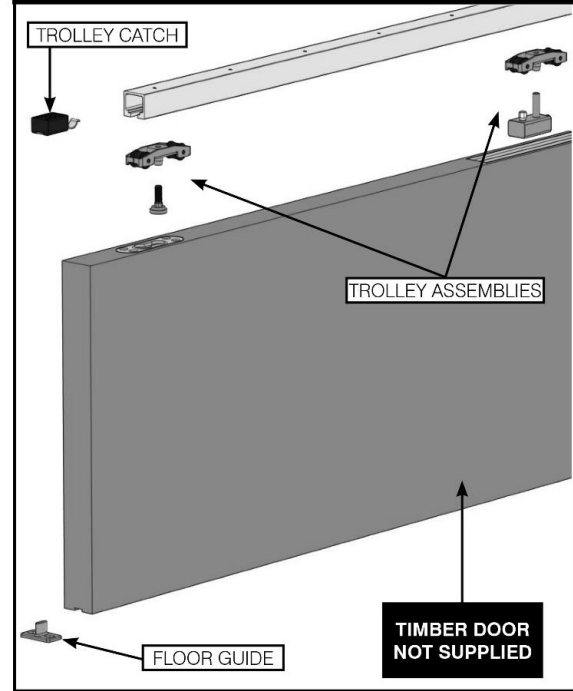
- END BLOCK
- PROTECTIVE EDGE CLIP
- CHOCK LARGE
- CHOCK SMALL
- SCREW SET A
- SCREW SET B
- SCREW SET C
- SCREW SET D
- SCREW SET E

\* Quantities are dependant on type of kit ordered

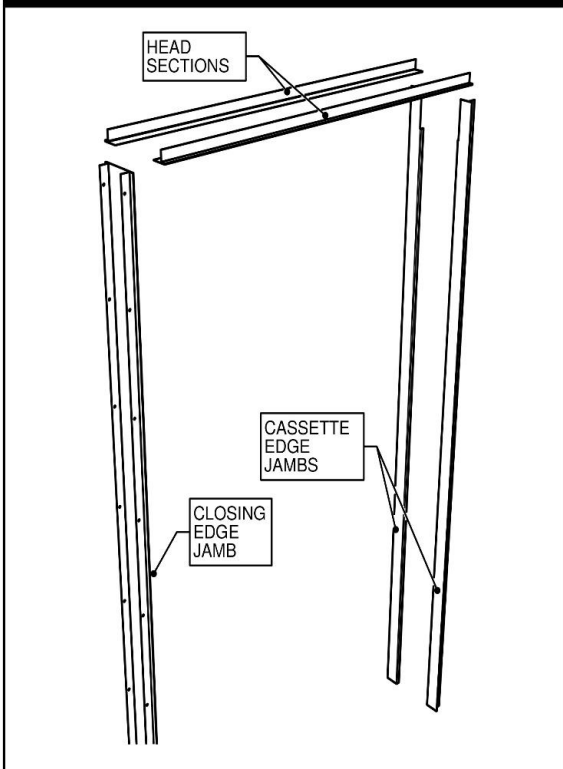
## POCKET DOOR KIT



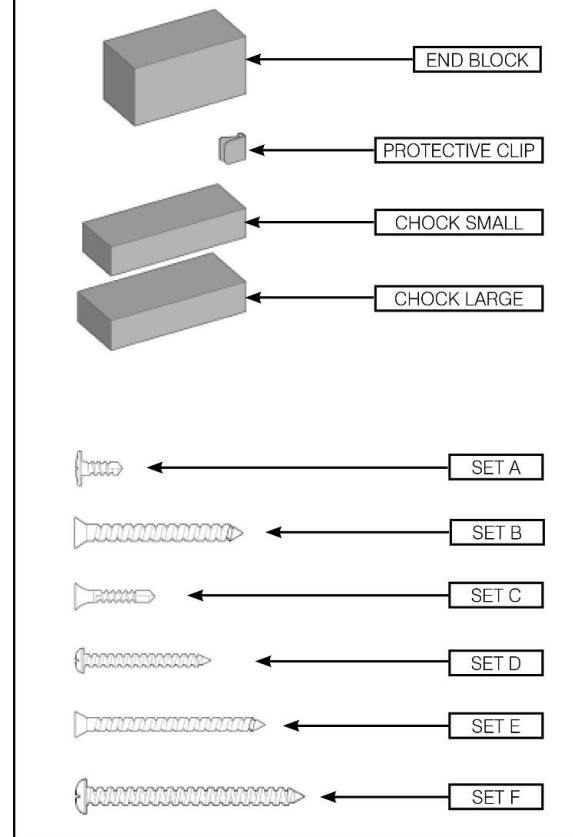
## SLIDING MECHANISM



## DOOR JAMB SET

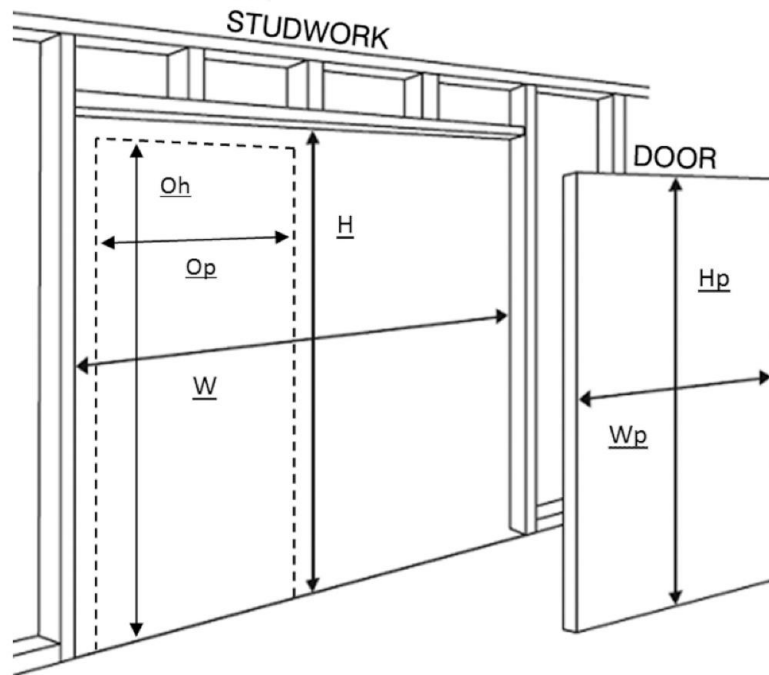


## FIXING ITEMS SET



## PRE-DOOR FITTING INFORMATION

Firstly construct a studwork frame on which to affix the pocket door system. Portman doors are designed for 100mm studwork. It is crucial that the frame is constructed square and plumb. Measure door and studwork heights from the finished floor level.



### Abbreviations

W = STUDWORK WIDTH
H = STUDWORK HEIGHT
Op = DOOR OPENING WIDTH
Oh = DOOR OPENING HEIGHT
Wp = DOOR WIDTH
Hp = DOOR HEIGHT

- To calculate **studwork** width and height from known **door dimensions**:

Studwork width (W) = (2 x Door width (Wp)) + 12mm Studwork height (H) = Door height (Hp) + 60mm	For double doors: (W) = (4 x (Wp)) + 18mm For double doors: (H) = (Hp) + 60mm
--	--

- To calculate **door size** from known **studwork dimensions**:

Door width (Wp) = (Studwork width (W) - 12mm) / 2 Door height (Hp) = Studwork height (H) - 60mm	For double doors: (Wp) = ((W) - 18mm) / 4 For double doors: (Hp) = (H) - 60mm
--	--

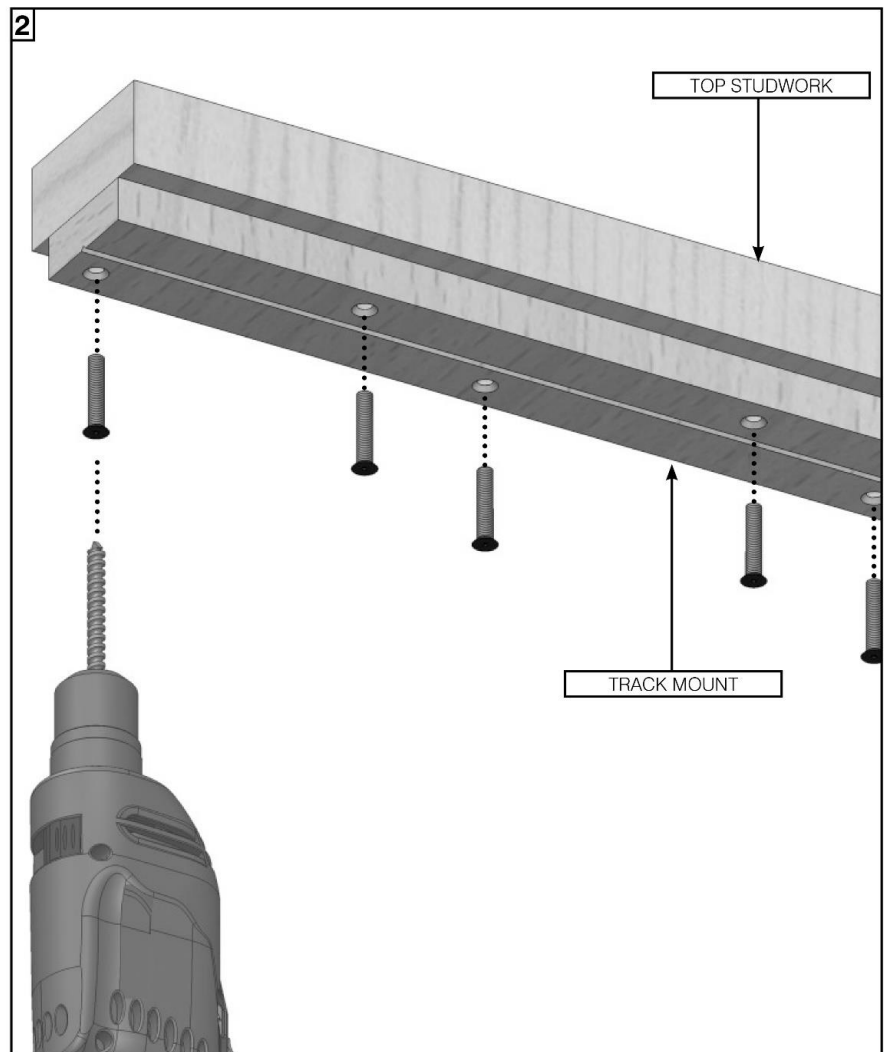
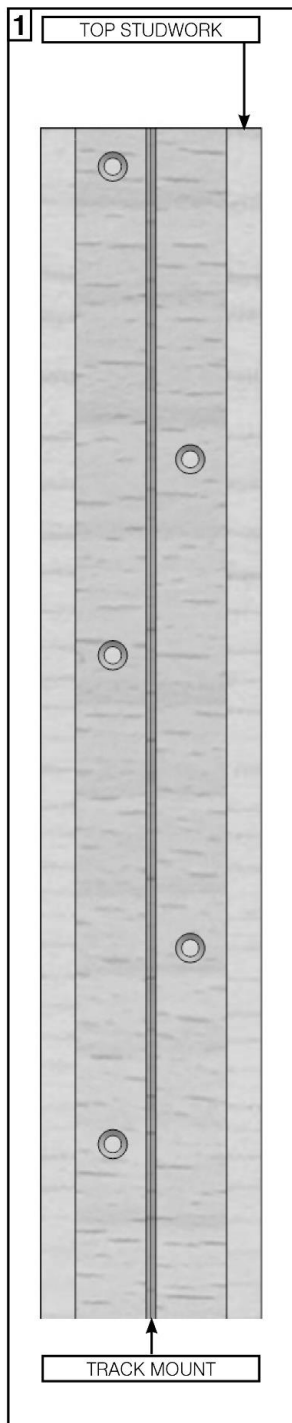
- To calculate **door size** from known door **opening dimensions**:

Door width (Wp) = Door opening width (Op) + 28mm Door height (Hp) = Door opening height (Oh) - 15mm	For double doors: (Wp) = ((Op) + 32mm) / 2 For double doors: (Hp) = (Oh) - 15mm
--	--

- To calculate **door opening** width and height from known **door dimensions**:

Door opening width (Op) = Door width (Wp) - 28mm Door opening height (Oh) = Door height (Hp) + 15mm	For double doors: (Op) = (2 x (Wp)) - 32mm For double doors: (Oh) = (Hp) + 15mm
--	--

## 1. TRACK MOUNT

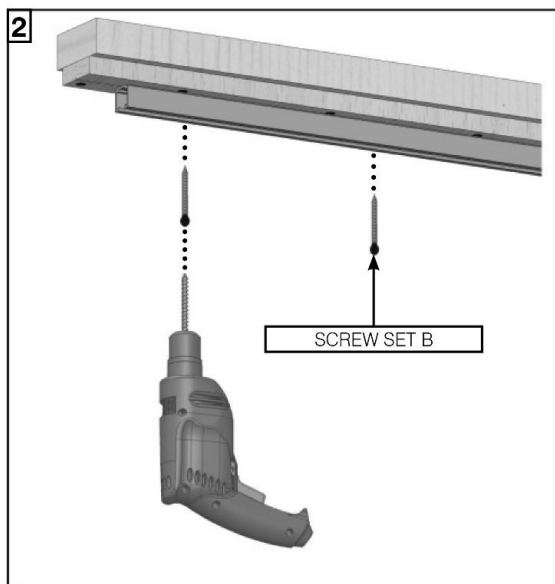
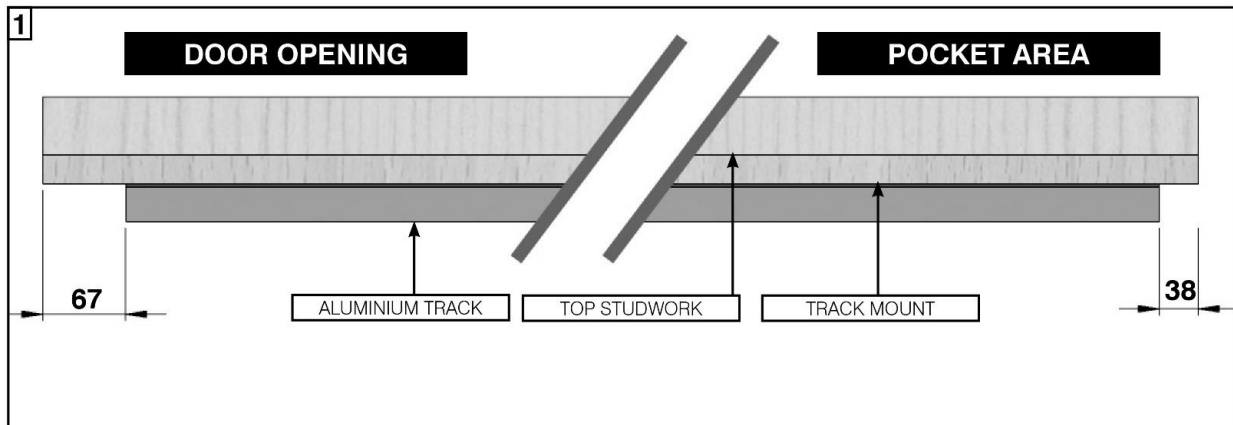


1. Cut the plywood track mount to the width of your horizontal studwork / support frame.

For intermediate, wide and double kits butt the two track mounts together to make up the required length

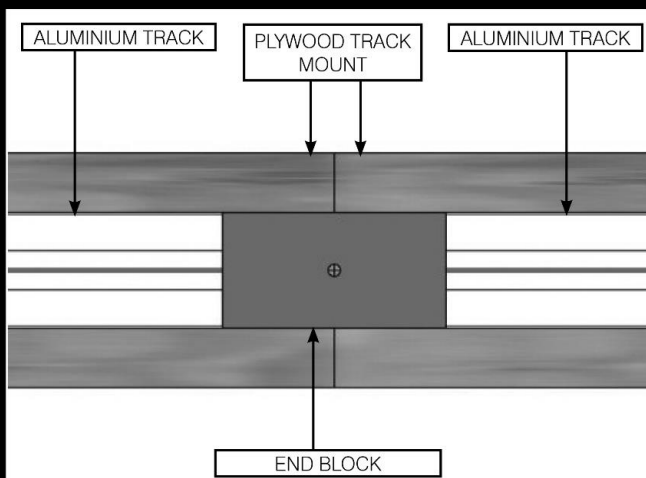
2. Position the track mount in the centre of the top horizontal studwork timber / support frame.
3. Pilot drill and screw through both sides of 'V' Shaped groove and ensure screw heads are fully sunk into the wood **(Screws not supplied)**.

## 2. ALUMINIUM TRACK



1. For **Single Door Kits**, cut the aluminium track to the width of your horizontal studwork, minus 105mm. Position 67mm in from doorway vertical stud to allow for the end block.
2. Pilot drill through the holes in the track into the 'V' Shaped groove in the plywood track mount. Screwfix using '**Screw Set B**'.

**TRACK SHOULD BE WIPED CLEAN TO REMOVE ANY CONTAMINANT**



For **Double Door Kits**, cut the aluminium tracks to half the width of your horizontal studwork, minus 70mm.

Position the end block centrally into the plywood track mount and screw into the 'V' shaped groove with '**Screw Set D**'.

Butt the aluminium tracks to it, leaving a gap to the far side of each track and fix into the 'V' shaped groove in the plywood track mount with '**Screw Set B**'.

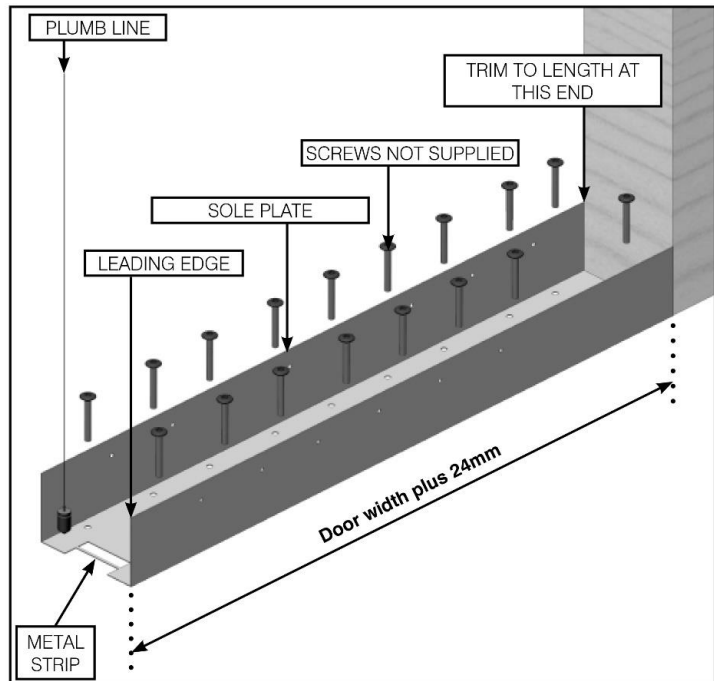
At this point remove the end block as entry to tracks is required for installation.

### 3. SOLE PLATE

1. Neatly cut and remove the metal strip.
2. Position the leading edge of the sole plate (Door width plus 24mm) away from the inside face of the rear studwork.

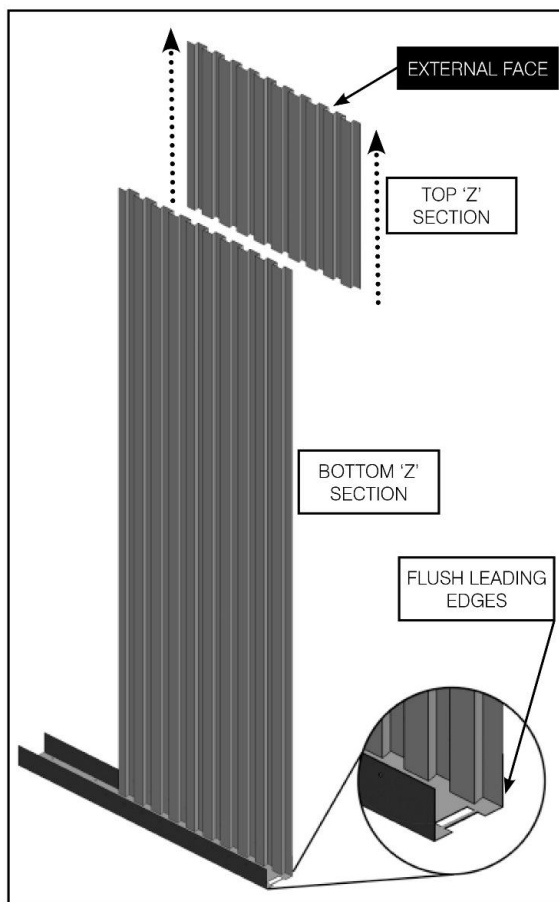
**Sole Plate may need cutting down depending on door size.**

3. Butt the sole plate centrally to the studwork at the back edge of the pocket.
4. Plumb true to the aluminium track above and secure the plate to the floor with appropriate fixings (**not supplied**).



For double kits repeat on other side

### 4. 'Z' PANELS



1. Extend the 'Z' Panels to desired height (inside surface of sole plate to underside of top studwork).

**DO NOT DISSASSEMBLE  
'Z' PANEL SHEETS**

2. Position the bottom 'Z' Panel inside the sole plate so that both leading edges are flush.

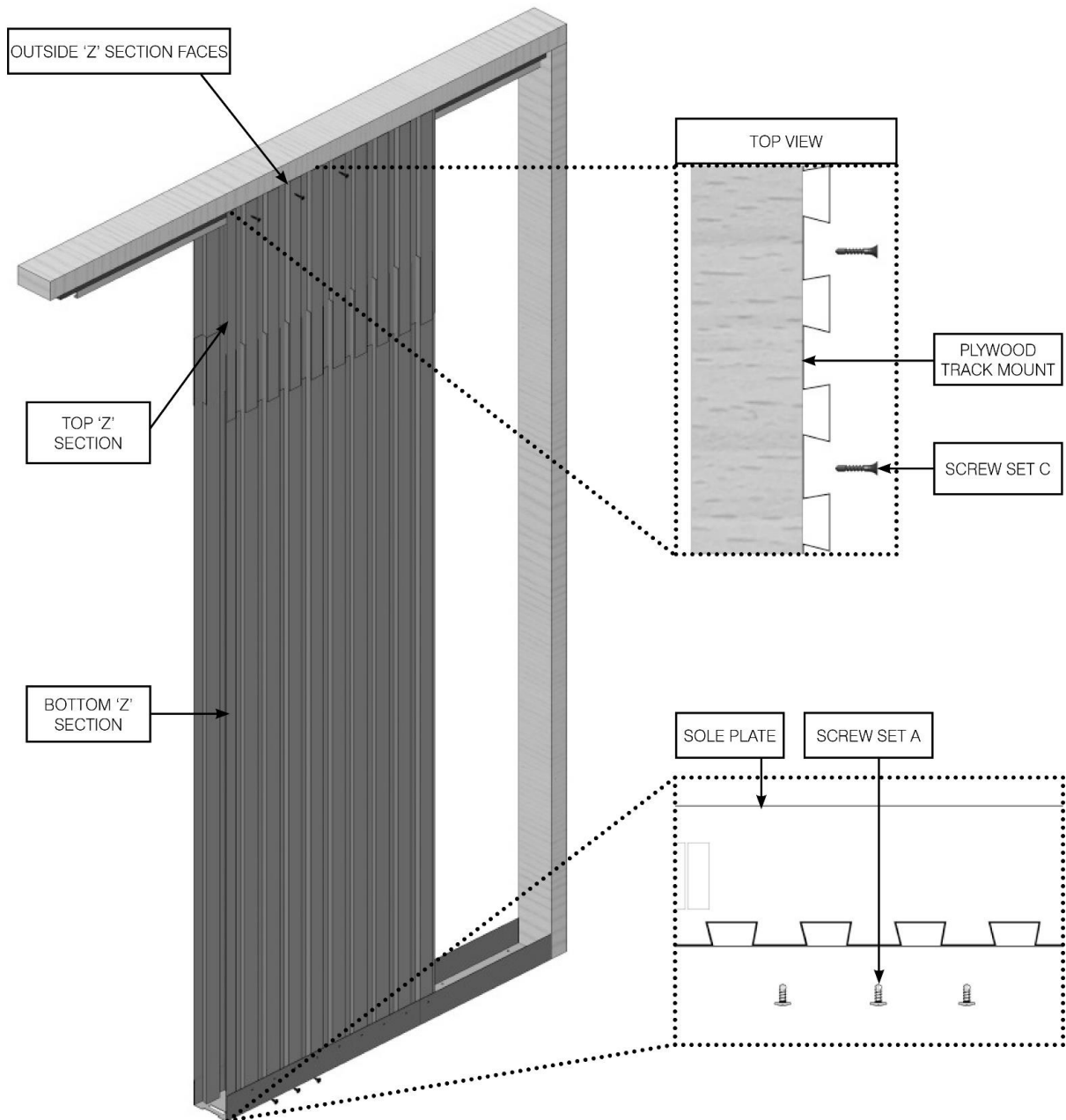
**MAKE SURE THE TOP 'Z' SECTION IS  
ON THE OUTSIDE OF THE POCKET**

For intermediate, wide and double kits a second set of metal 'Z' panels are supplied. Fit only the first set at this stage.

On intermediate kits, the second set are narrower than the first set.

**IF USING A REINFORCING KIT - PLEASE REFER TO INSTRUCTIONS 003-285 AND INSTALL IT AT THIS POINT BEFORE SCREW FIXING THE 'Z' PANELS**

**PLEASE NOTE: TOP 'Z' SECTION IS ON THE OUTSIDE OF THE POCKET**

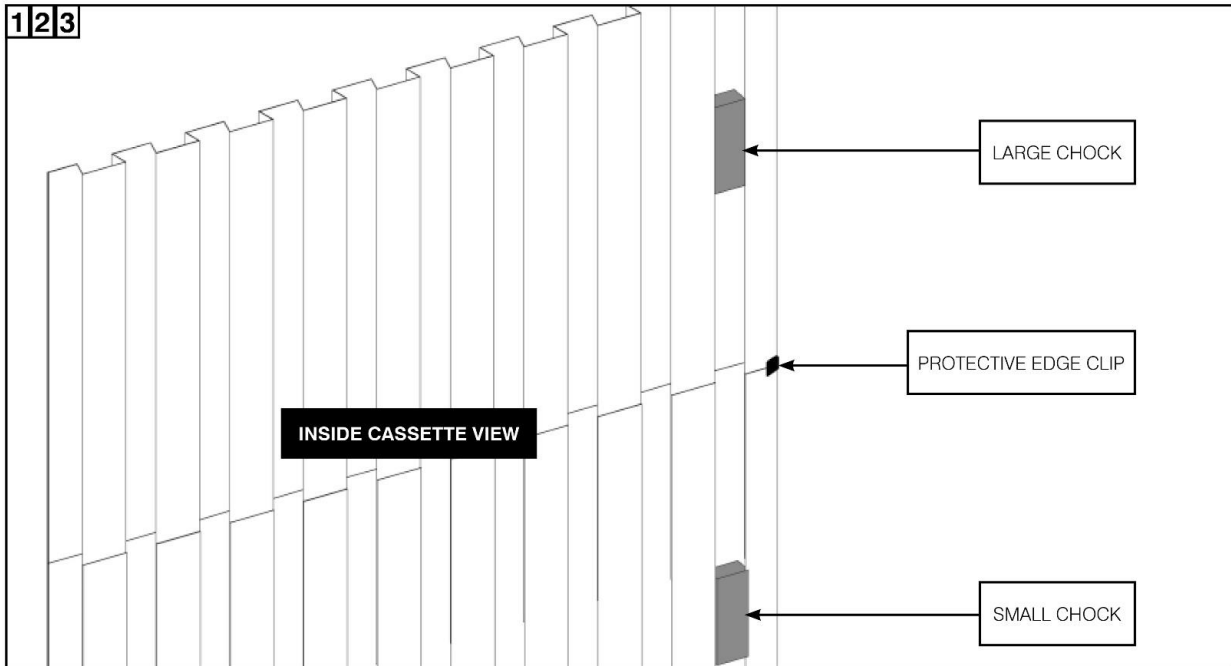


Ensure panels are level and then fix with screws.

1. Fix top 'Z' Section to plywood track mount with **'Screw Set C'**.
2. Fix bottom 'Z' section to sole plate with **'Screw Set A'**.

## 5. PANEL JOINING

1 2 3

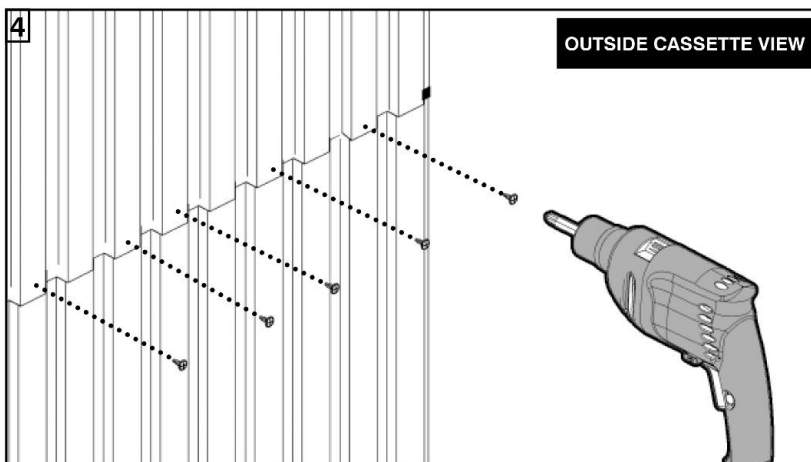


1. At the back of the pocket, place the protective edge clip onto the 'Z' section, covering where the panels join.
2. In the last 'Z' section slot towards the back of the inside pocket, push the large chock into the top 'Z' section and the two small chocks into the bottom 'Z' section. This pushes the edge outwards so the door does not snag on it when closing.

For intermediate and wide kits, fit chocks in the first and last slot in the rear 'Z' sections as detailed above  
Fit protective edge clips on all joints on the rear 'Z' sections

3. Repeat stages 4 - 5 on the other side of the pocket.

For double kits repeat stages 4 - 5 to create the second pocket

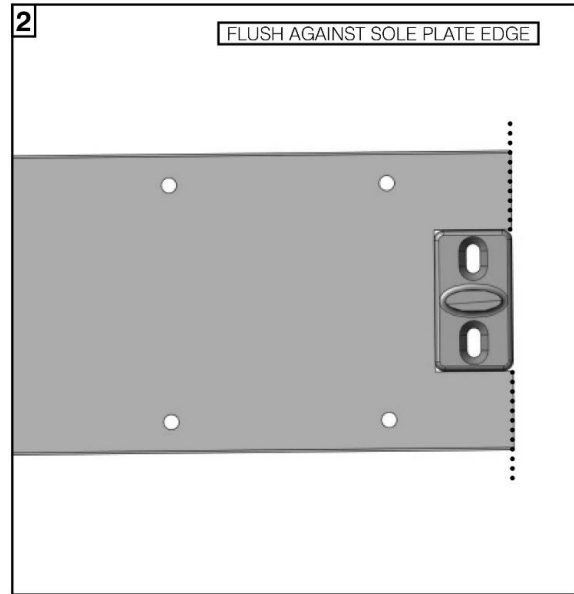
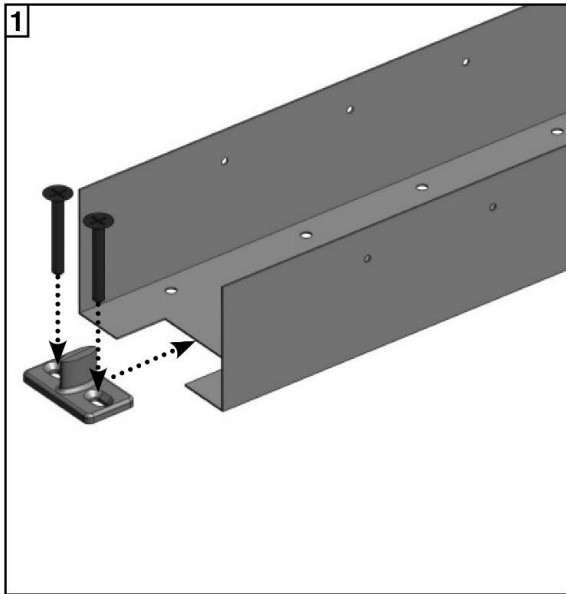


4. Pilot and screw through from outside to join panels together in five locations using 'Screw Set A'

**ENSURE SHEETS  
DO NOT BECOME  
BOWED WHEN  
FIXING INTO PLACE**



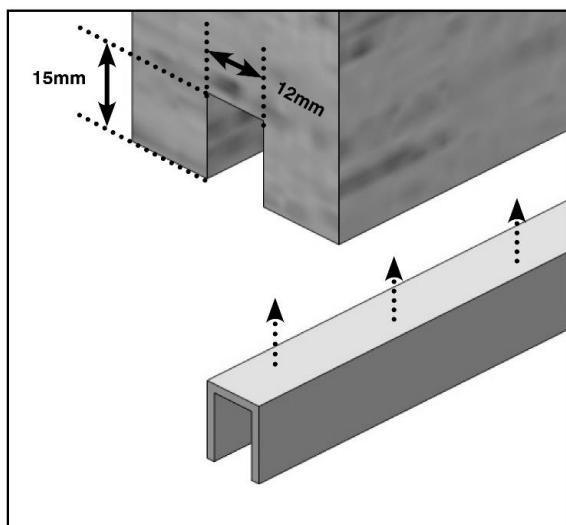
## 6. DOOR GUIDE



1. Fix the metal floor guide into the sole plate by inserting it into the pre-cut area.
2. Ensure it is flush against the sole plate and then screw fix firmly to the finished floor.  
**(screws not included)**

For double kits repeat for other side

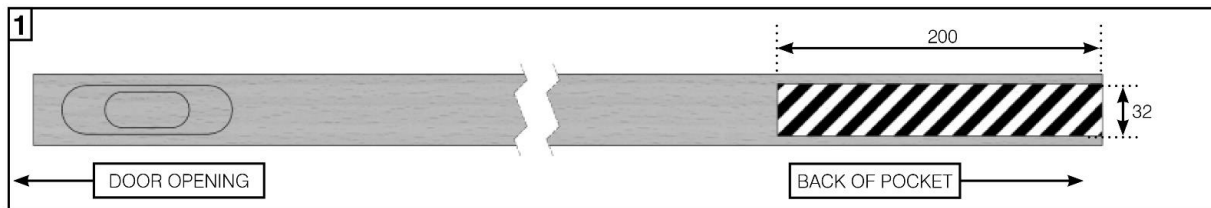
## 7. BOTTOM DOOR GROOVE



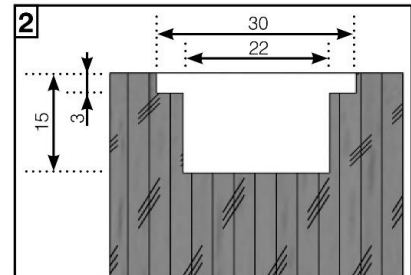
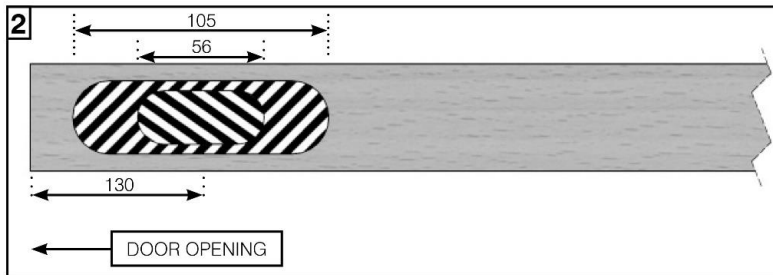
1. Cut a groove in the bottom face of the door to suit the plastic channel which the floor guide runs in.  
  
Ensure when cutting the groove it is centralised along the width of the door.
2. Bond or pin the channel into the cut groove ensuring the metal floor guide can move freely within it.  
**(fixings not included)**

For double kits repeat for second door

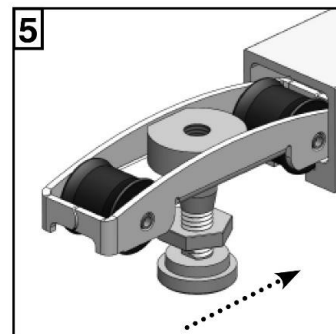
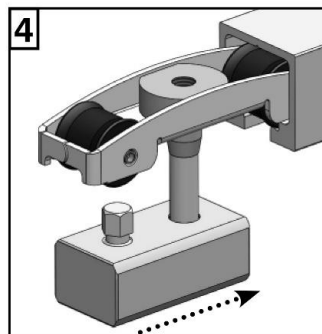
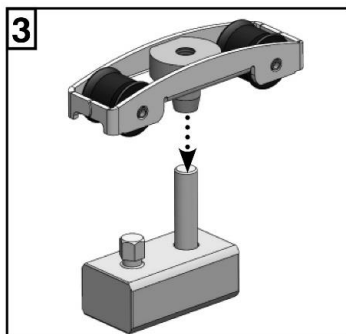
## 8. DOOR ASSEMBLY



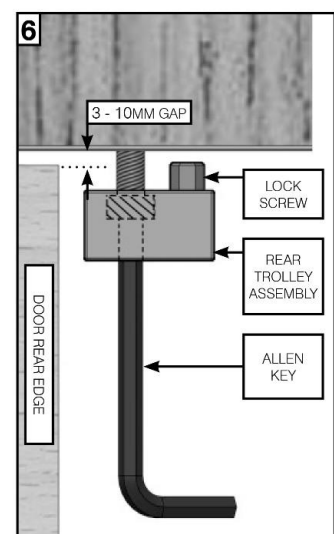
1. Cut the back of door mortice in the top of the door (200 x 32 x 30mm) and fix the bracket into this mortice. **(Screws not supplied)**

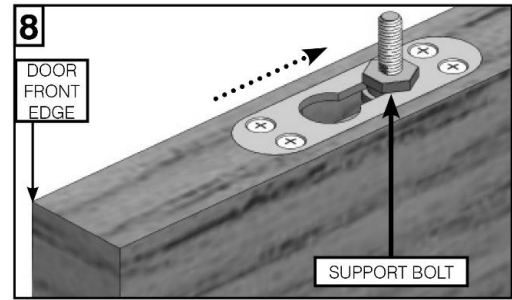
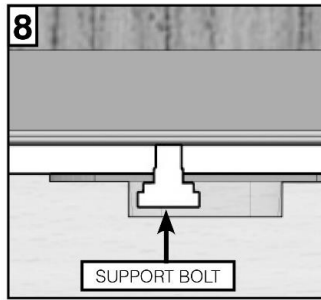
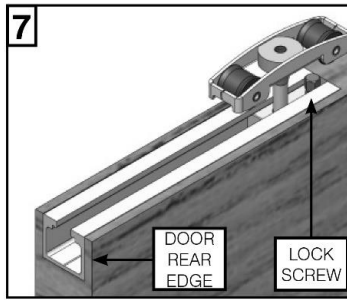


2. Cut the front mortice in the top of the door in two depth stages as pictured. Fix the flush bracket front plate over the mortice using supplied screws. Ensure the larger hole in the front plate is towards the front of the door.



3. Firstly, assemble the rear trolley assembly by screwing the trolley wheels onto the trolley body.
4. Slide the rear trolley into the aluminium track.
5. If a minimum gap between the top of the door and the track is required, (3mm - 5mm) screw the trolley support bolt directly into the leading edge trolley. For a larger gap, (7mm - 10mm) screw the retaining nut onto the trolley support bolt and then into the trolley.
6. At an angle of approximately 45 degrees, slide the door partially onto the rear trolley assembly. The gap between the top of the door and underside of the top rail needs to be between 3mm - 10mm. Remove and adjust the lock screw to achieve the required gap and reinstall.





7. Ensuring the lock screw is towards the front of the door, push the rear trolley assembly into the rear door bracket as far as it will go and tighten the lock screw to lock the trolley into the door. Pivot the door inwards and slide it into the pocket, ensuring the bottom door channel slides over the floor guide.
8. Lastly, position the front trolley with support bolt above the front mortise. Lift the front edge of the door up, over the support bolt and into the large hole in the plate. Push the support bolt across to fully engage into the small hole in the plate, adjust until the door is level. Pull the door firmly down onto the support bolt to secure the door. If installing with a large gap, (7mm - 10mm) tighten the retaining nut onto the door.

**TEST TO SEE IF THE DOOR RUNS SMOOTHLY AND IS PLUMB.**

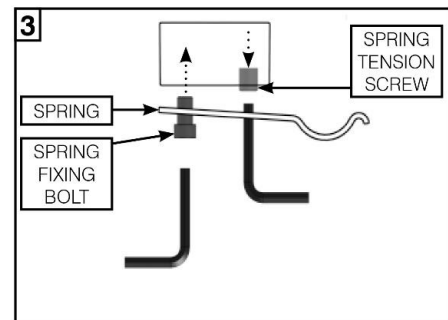
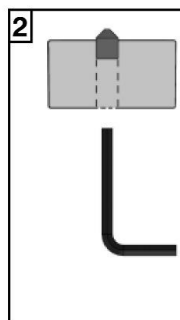
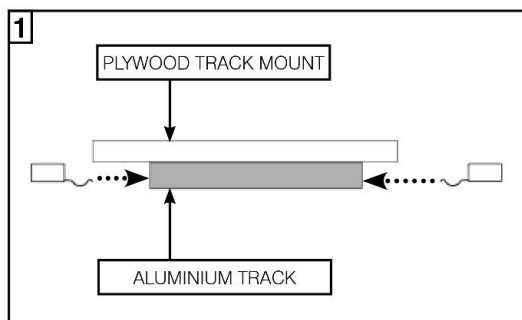
correct door operation by adjusting the support bolt and trolley assembly bolt;

Screw the bolts in slightly to raise the door.

Unscrew the carriage bolts slightly to lower the door.

For double kits repeat for second door

**9. DOOR STOPS**



1. Place trolley catches at the front and back of the aluminium track (If not done already).
2. Fix trolley catches in required positions within the aluminium track by removing the spring giving access to the centre hole locking grub screw, use the provided 3mm allen key.
3. Replace the spring and adjust the clamping bolt to the desired tension to hold the trollies in place, use the provided 4mm allen key.

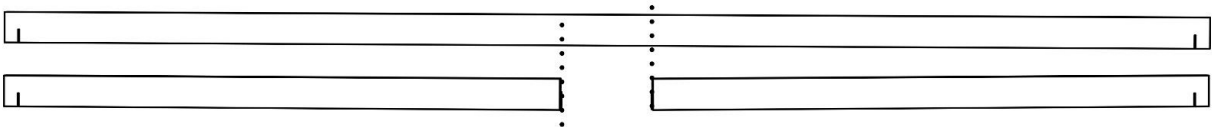
For double kits repeat for second track

## 10. TRACK PACKERS

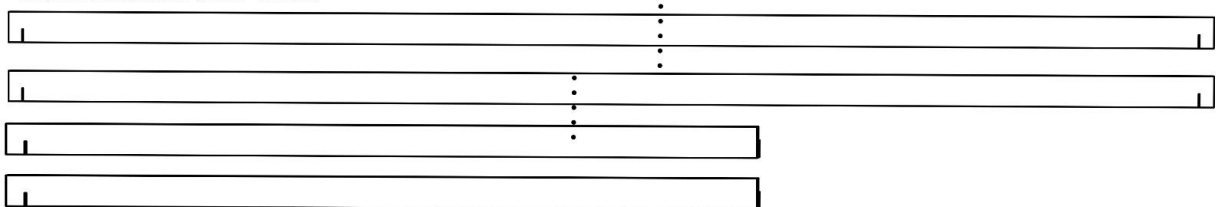
1. Cut the track packers to length between the edge of the 'Z' section sheet and the opening side studwork plus 25mm.
  - In a standard kit one track packer will be provided - both sides of the packer will be cut from this piece so cuts must be made in equal lengths from each end so as to maintain the slot detail
  - For intermediate and wide door kits two track packers are provided and each side is cut from an individual length. Note: They must be cut opposite handed.

For double kits, measure between the cassette edge jambs of one pocket and the other

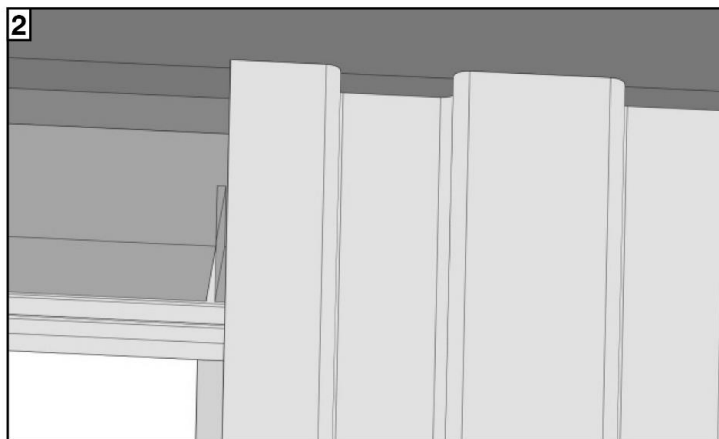
### Standard Kit



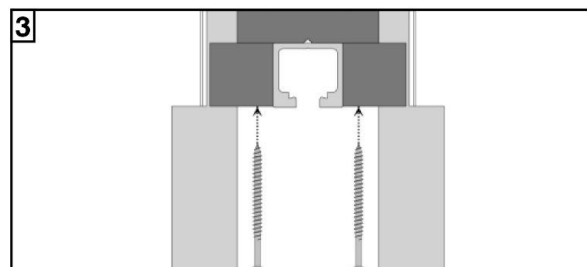
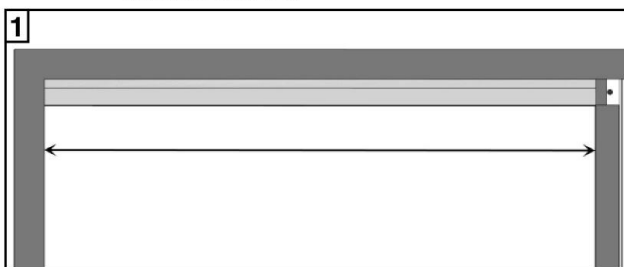
### Intermediate and Wide



2. Position the track packer with the back of the slot aligned with the edge of the Z section.

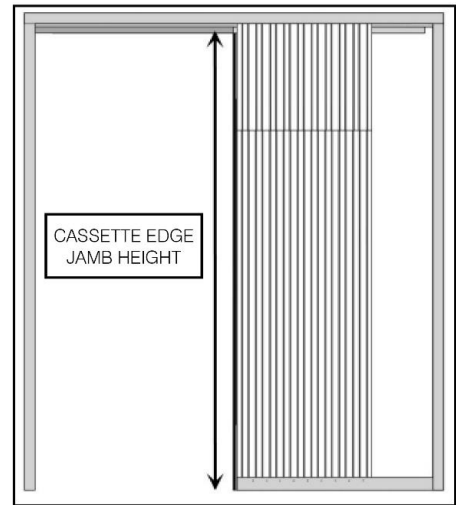
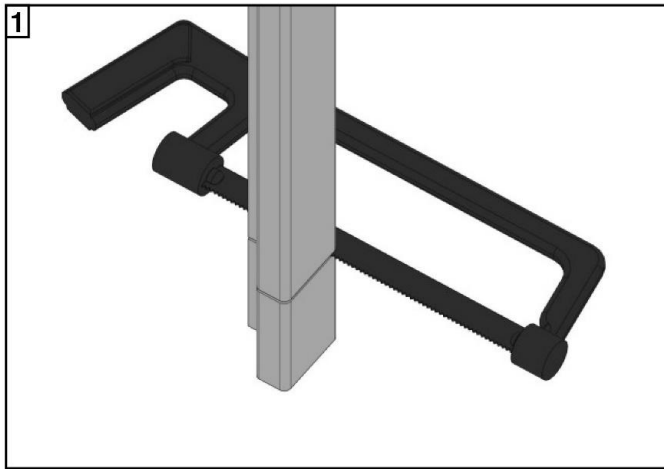


3. To secure the track packers, first pilot and countersink a series of holes in their length, approximately 300mm apart. Screw through into the plywood track mount using 'Screw Set E'.

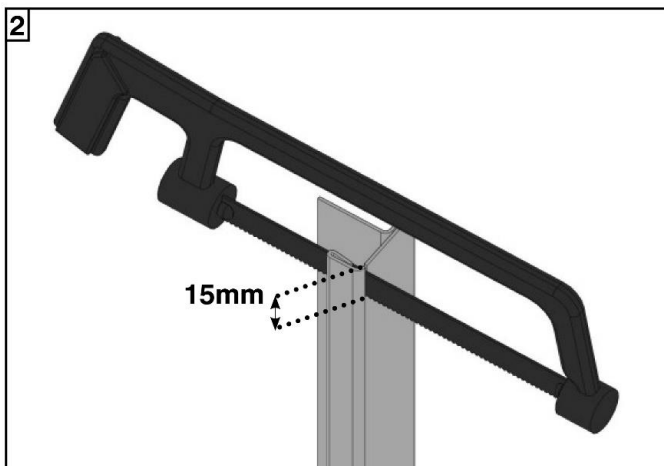


## 11. JAMB FITTING - CASSETTE JAMBS

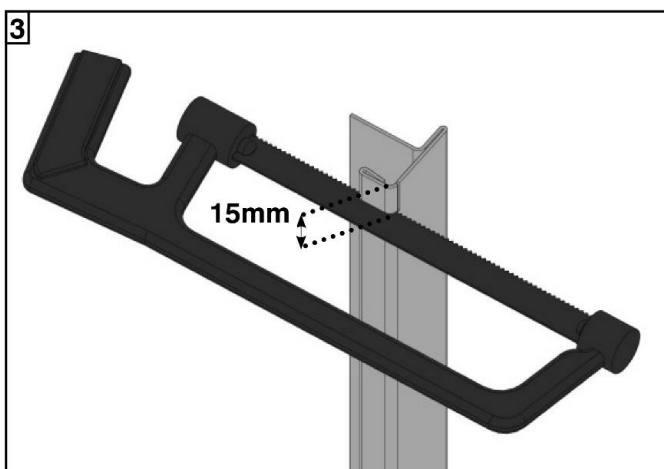
1. Cut the jamb to the correct height from the floor to the underside of the track packers plus 14mm.



2. Make a cut, 15mm deep and 4mm in from the edge.

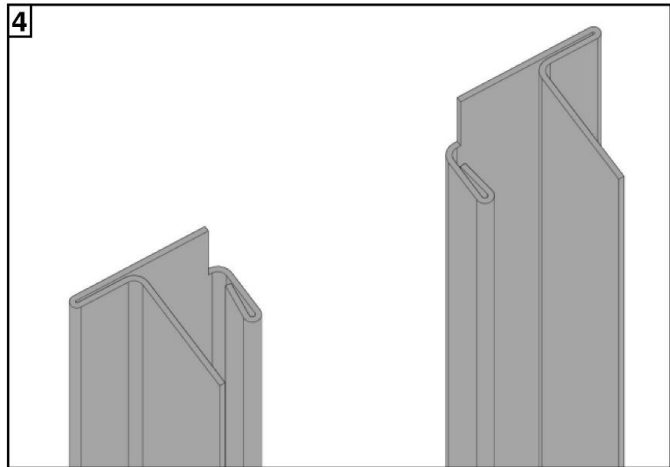


3. Make a final cut, 4mm in and remove the cut out piece.

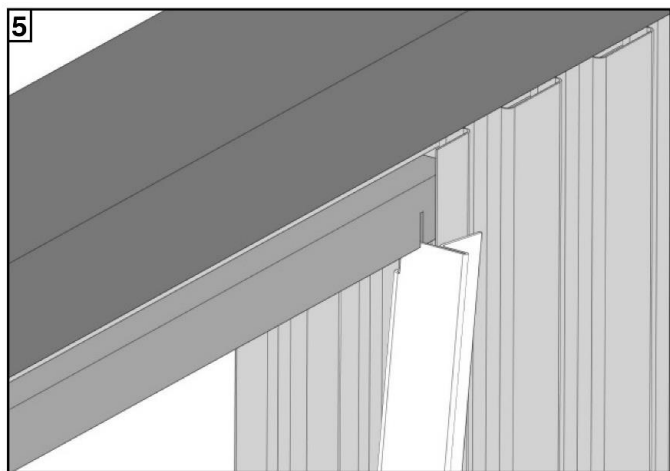


## 12. JAMB FITTING - CASSETTE JAMBS cont.

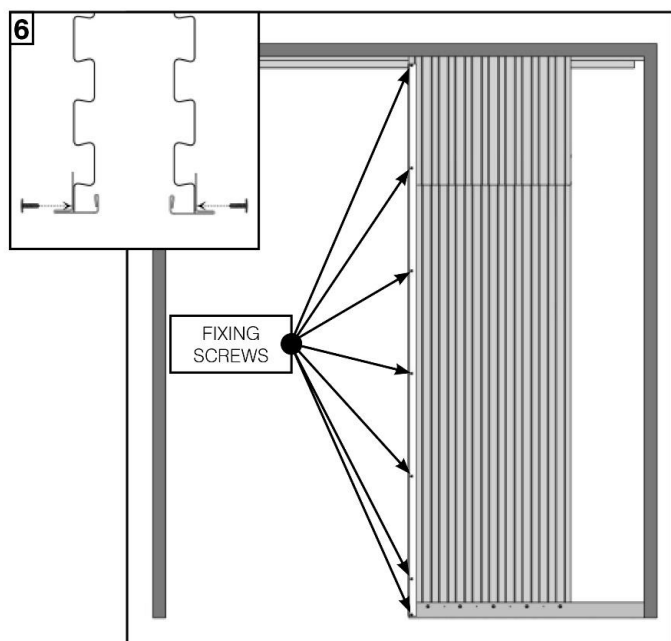
4. Repeat the cutting operation on the other jamb. Please remember the jambs will be left and right handed.



5. Insert the top of the jamb into the slot provided in the track packer.

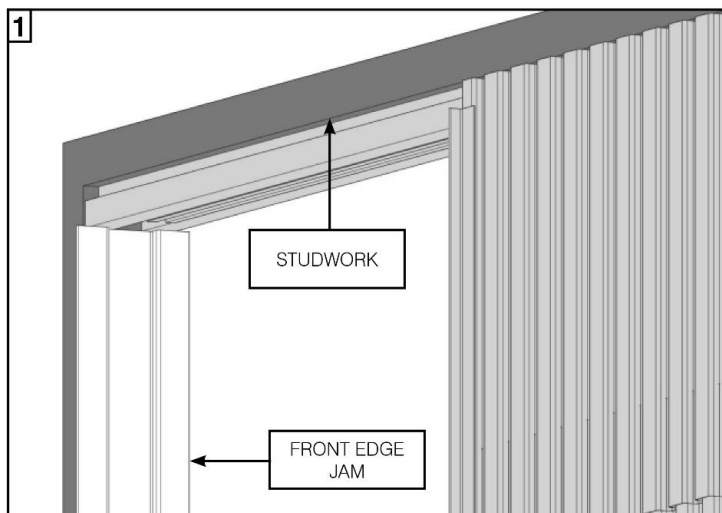
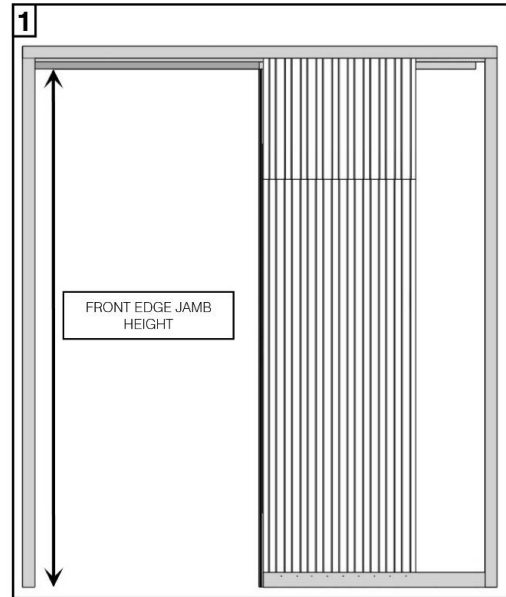


6. Fix the jambs onto the leading edge of the pocket. Secure with '**Screw Set A**' in top and bottom positions, and then every 400mm (pilot hole drilling not required).

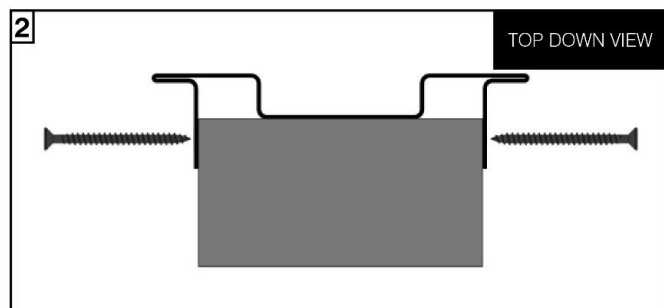


### 13. JAMB FITTING - FRONT EDGE JAMB

1. Cut the jamb to the correct height from the floor to the underside of the track packers.



2. Pilot holes into the vertical stud on both sides and then fix the jamb with screws.  
**(Screws not supplied)**

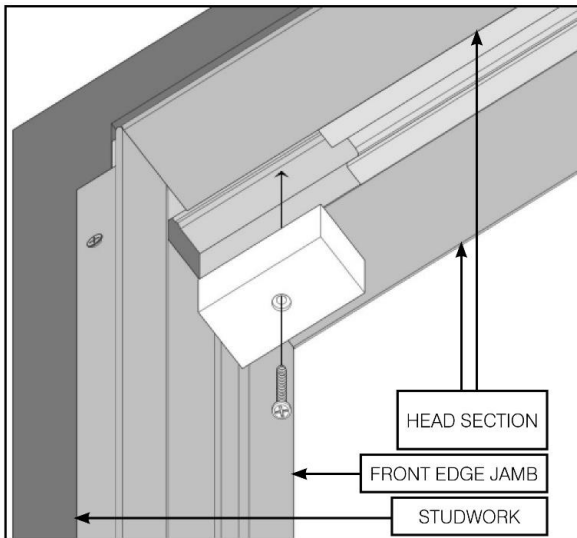


For double kits discard this step

## INTERMEDIATE AND WIDE KITS

Fit the second set of 'Z' section sheets so that the rear edge is inline with the back of the pocket.

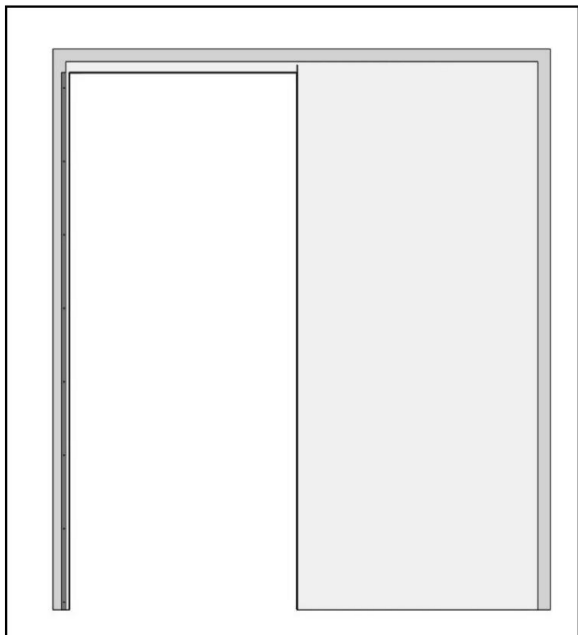
### 16. END BLOCK



1. Pilot drill and counterbore a hole in the wooden end block using a 2mm drill bit. Drill the hole in the centre of the block.
2. Using the newly made hole, with '**Screw Set D**', screw into the 67mm spacing left between the aluminium track and the studwork. Make sure the end block is butted against the track.

For double kits replace end block into central space

### 17. PLASTERBOARD



1. Clad the kit in 12.5mm of plasterboard. Ensure it butts up level and tight against all jambs.  
  
When positioned correctly, use screw fixings to secure to the stud frame.
2. Pilot drill through the plasterboard and 'Z' section sheets a maximum of 300mm apart vertically and horizontally equal.

Screw the plasterboard into place.  
**(fixings not included)**

**ENSURE NO SCREWS PROTRUDE INTO THE POCKET CAVITY**