

RUSTIC 80

FOR TIMBER DOORS WEIGHING UP TO 80KG EACH

APPLICATIONS

- ▶ Rustic 80 sliding door hardware offers a traditional look to sliding wooden doors weighing up to 80kg
- ▶ Exposed steel straps fasten down the front of the door to support the rustic finish whilst the beautifully crafted hangers run smoothly along a flat bar track
- ▶ Robust black powder coat provides a durable finish
- ▶ Nylon bearinged wheels provide smooth and silent running
- ▶ Easy to install
- ▶ Offered in kits with 2 different track lengths; 2 metre and 3 metre

DOOR SPECIFICATION

	2M Kit R80/20	3M Kit R80/30
Maximum leaf weight	80kg	80kg
Minimum door width	500mm	500mm
Maximum door width	1000mm	1500mm
Door thickness	36mm - 46mm	36mm - 46mm



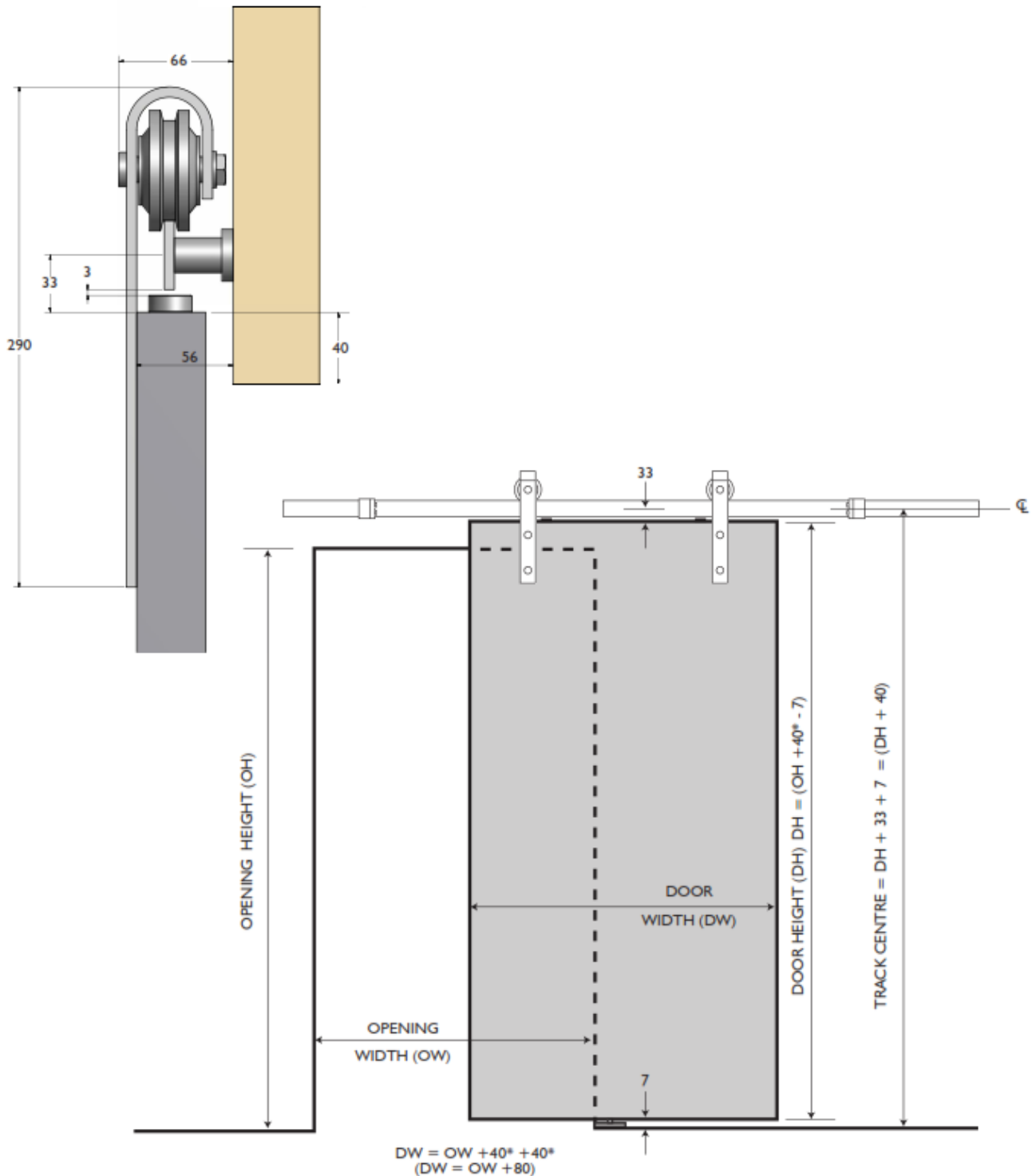
Hardware specification (Kit contents)

Both kits contain: 2 x hangers, 2 x door stops, 1 x floor guide, 1 x "flat" track (2M or 3M), track wall spacers and all fixings required.



RUSTIC 80

FOR TIMBER DOORS WEIGHING UP TO 80KG EACH



*PCH Suggests 40mm overlap of the door to the opening.

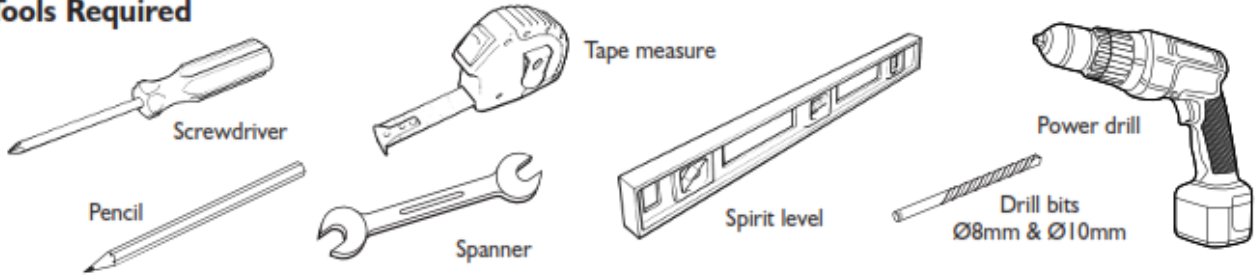
All dimensions in mm.

HENDERSON

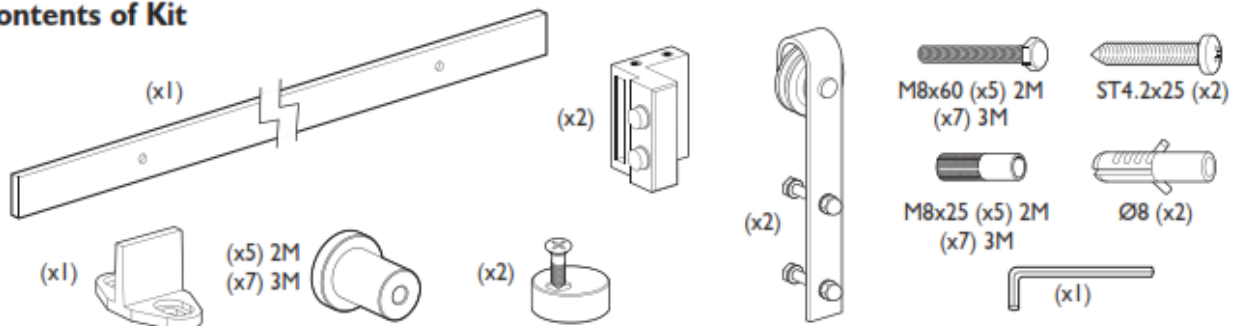
P C Henderson Limited, Durham Road, Bowburn, County Durham DH6 5NG, UK. Web: www.pchenderson.com
 UK Customer Services Department: Tel: +44 (0)191 377 7345 Fax: +44 (0)191 377 3116 Email: sales@pchenderson.com
 Export Department: Tel: +44 (0)191 377 7346 Fax: +44 (0)191 377 0755. Email: international@pchenderson.com.
 For all technical queries email our Technical Department: technical@pchenderson.com

FITTING INSTRUCTIONS - NOTICE DE POSE - MONTAGE HANDLEIDING - MONTAGEANLEITUNG ISTRUZIONI DI MONTAGGIO - INSTUCCIONES DE MONTAJE

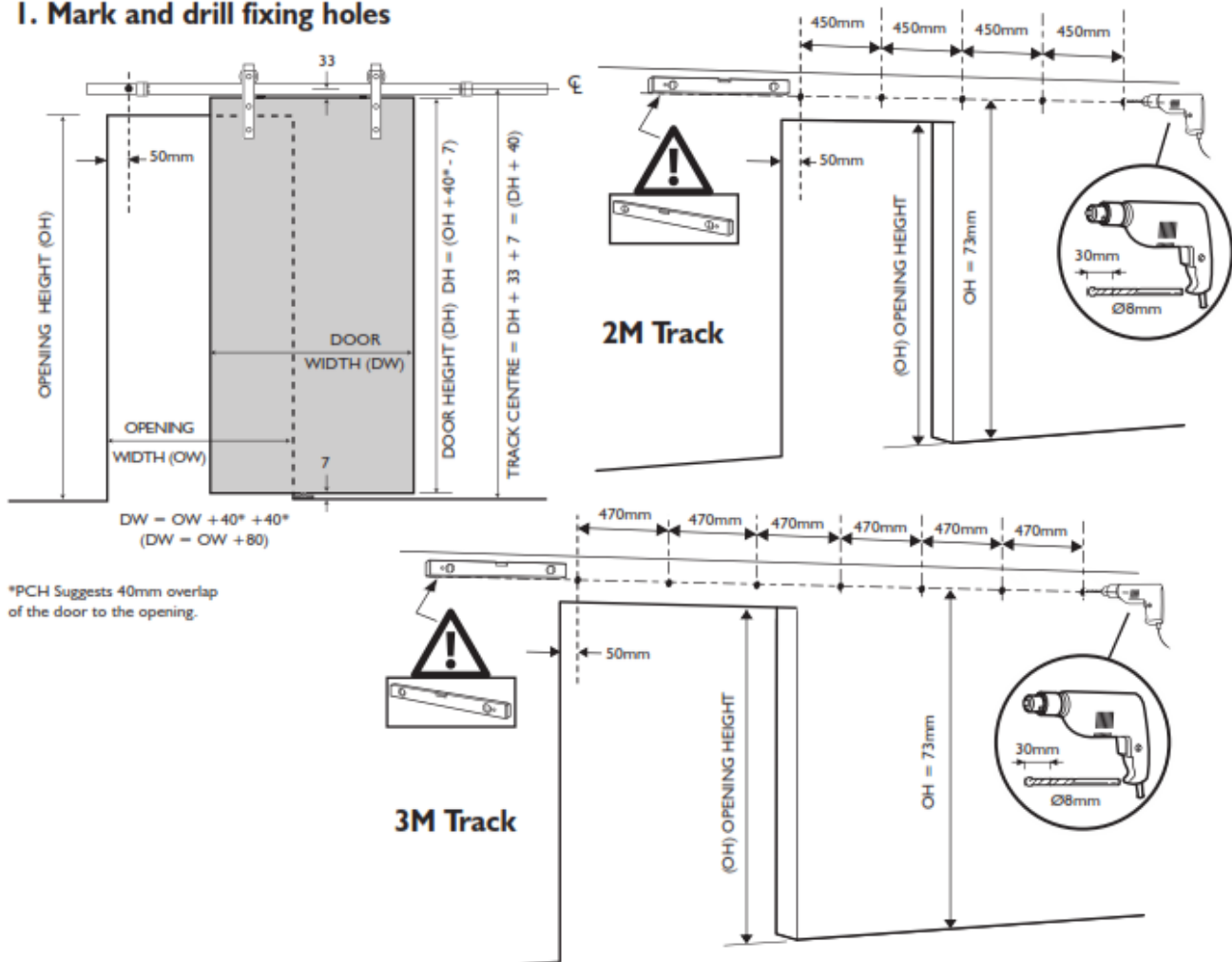
Tools Required



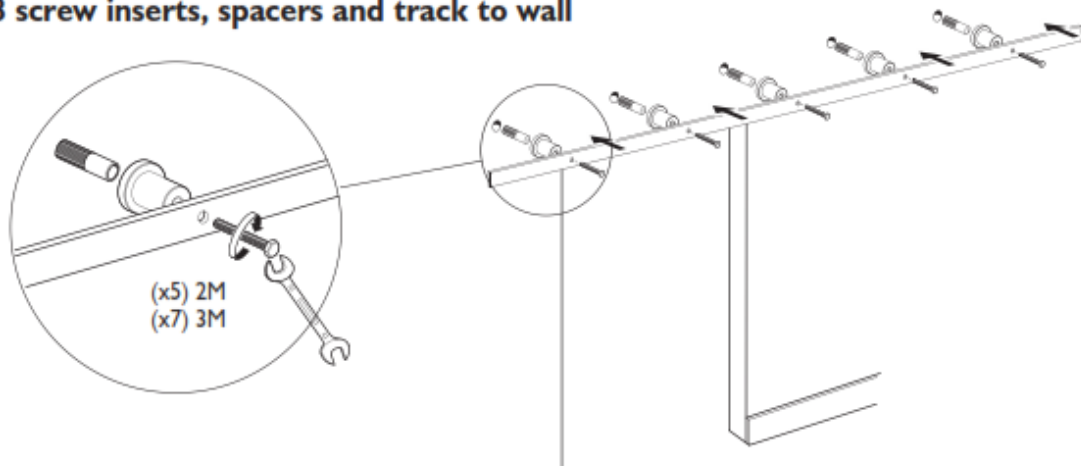
Contents of Kit



I. Mark and drill fixing holes

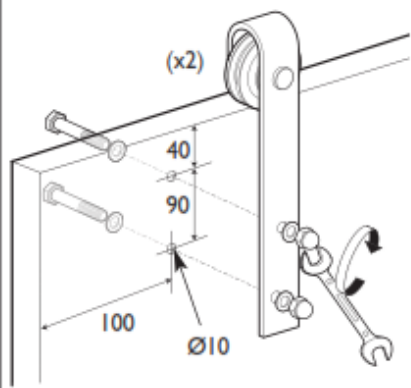


2. Fix M8 screw inserts, spacers and track to wall

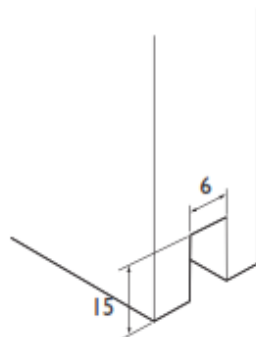


* It is the installers responsibility to ensure the wall insert supplied is suitable to be used. - Depend on wall type/quality.

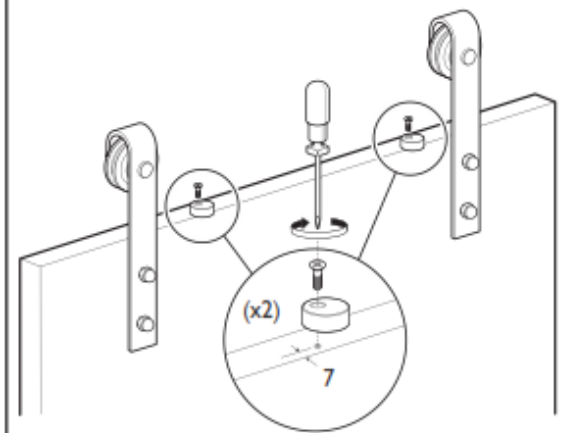
3. Fix hangers to door



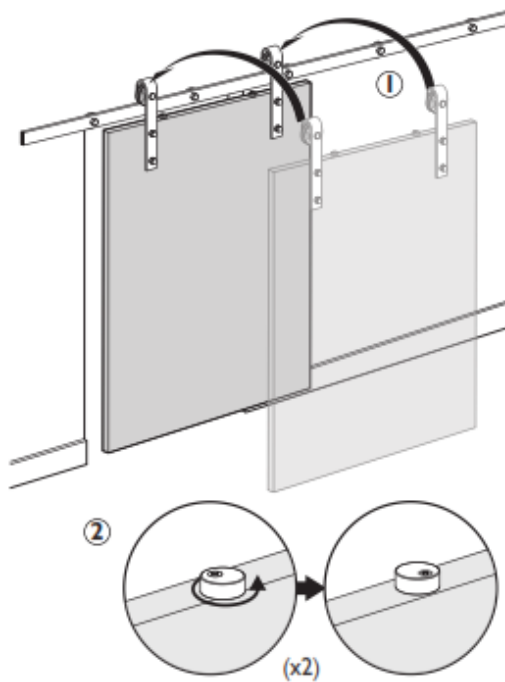
4. Floor guide routing detail



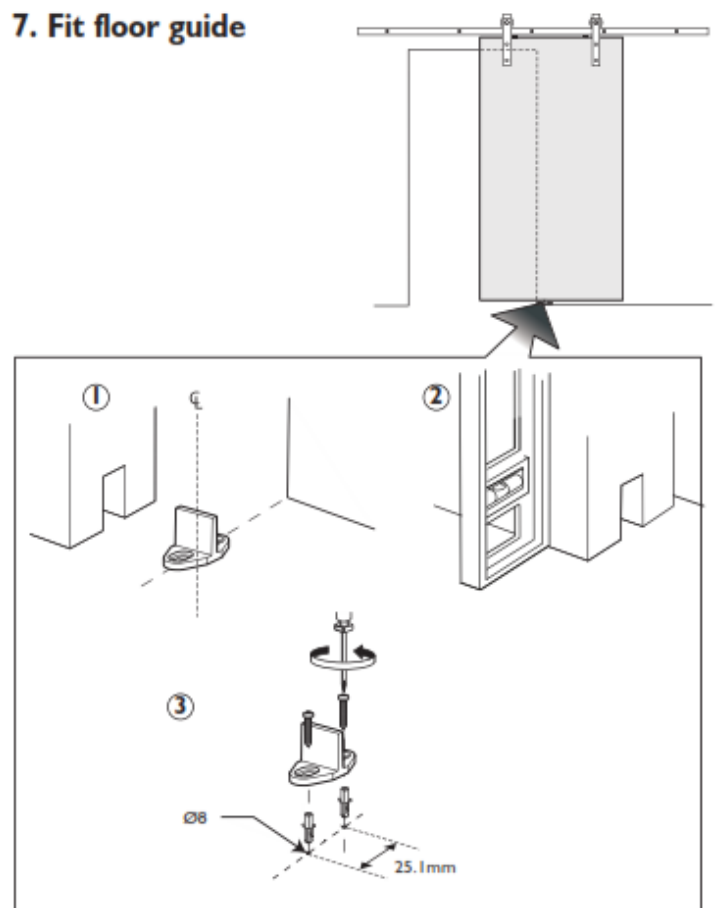
5. Fit adjustment cams



6. Hang door and adjust cams



7. Fit floor guide



8. Fit and adjust door stops

