

**FITTING INSTRUCTIONS - NOTICE DE POSE - MONTAGE HANDLEIDING - MONTAGEANLEITUNG  
ISTRUZIONI DI MONTAGGIO - INSTUCCIONES DE MONTAJE**

**Warranty.** This product is covered by a 10 year manufacturer's warranty. Please see the P C Henderson website for terms and conditions.

**Tools Required**

- Posidrive screwdriver
- Spirit Level
- Hammer
- Drill + 10mm drill bit
- Tape measure
- 10 and 13mm Spanners
- Plumb line
- Hacksaw

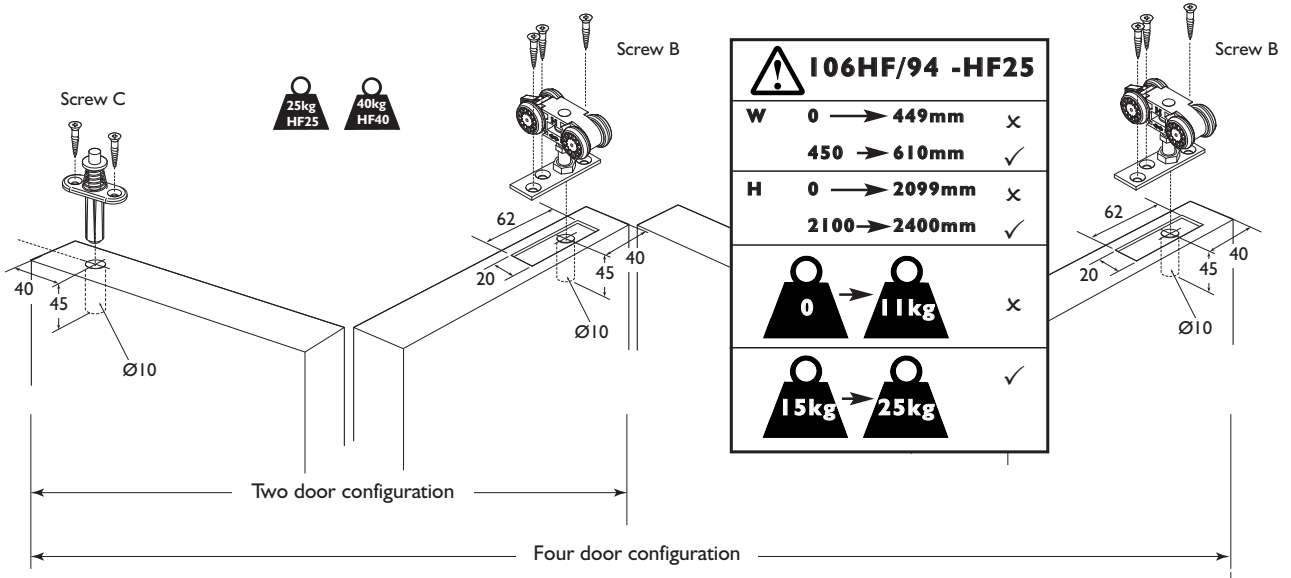
**Contents of Kit**

- Steel Husky Track
- Hinge Plate
- 94 Channel \*Husky Folding 40 Only
- Top Pivot
- Bottom Pivot
- Husky Hanger C/W Top Plate
- 106 Guide \*Husky Folding 40 Only

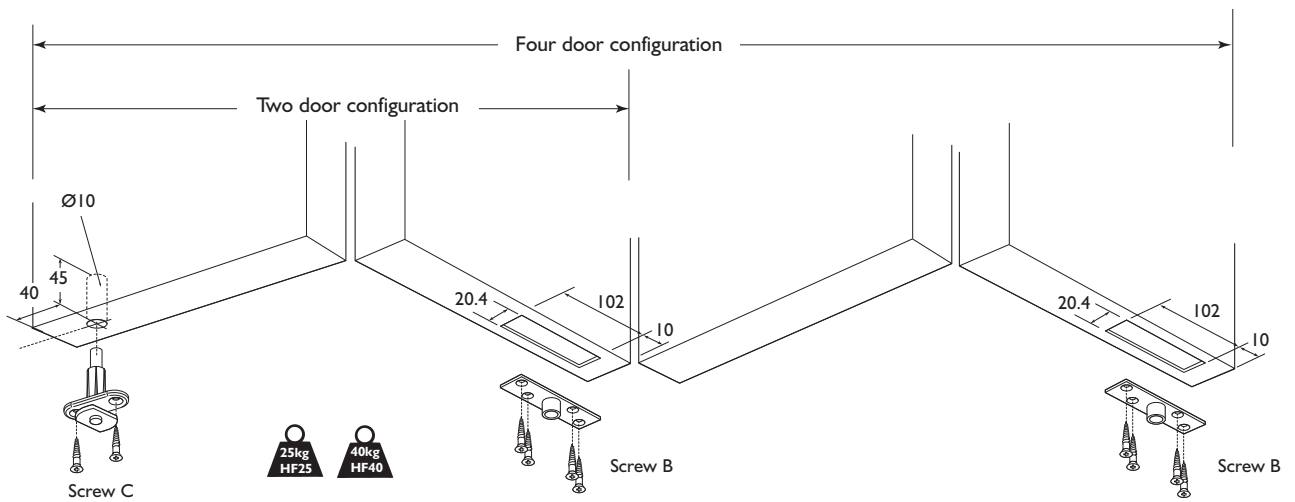
Technical diagrams showing installation details for HF25 and HF40 models, including dimensions for track width (W), track thickness (T), and track length (O).

	Max Weight	W	T	O
<b>HF25</b>	25kg	610mm	20-44mm	2458mm
<b>HF40</b>	40kg	762mm	20-44mm	3066mm

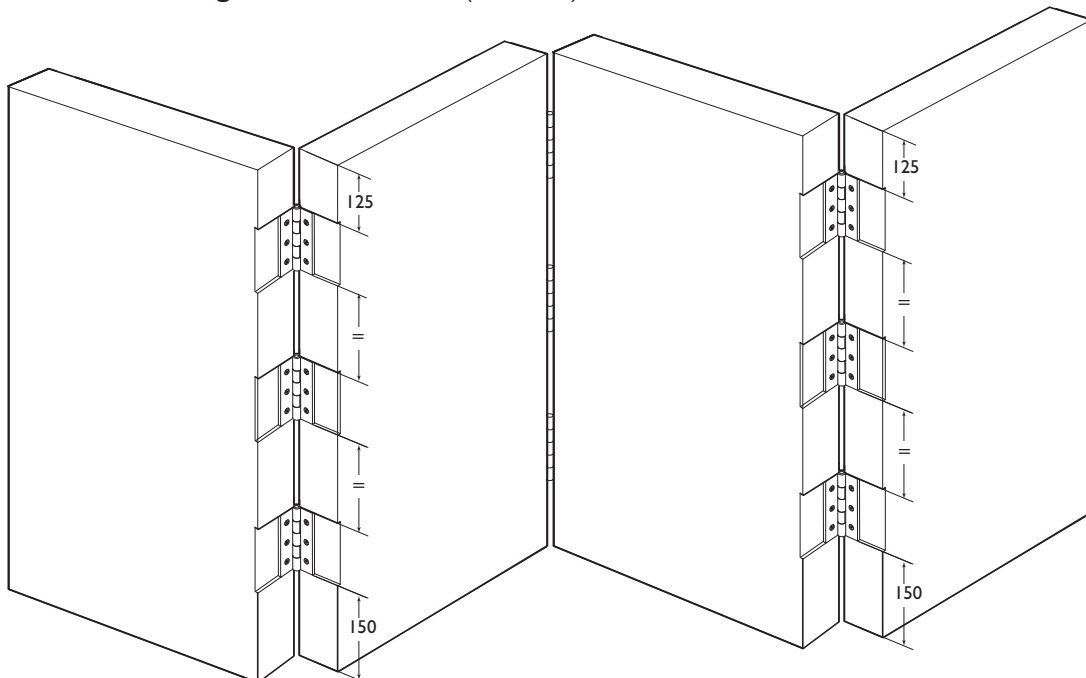
### 1. Position and secure pivot and hanger apron plates



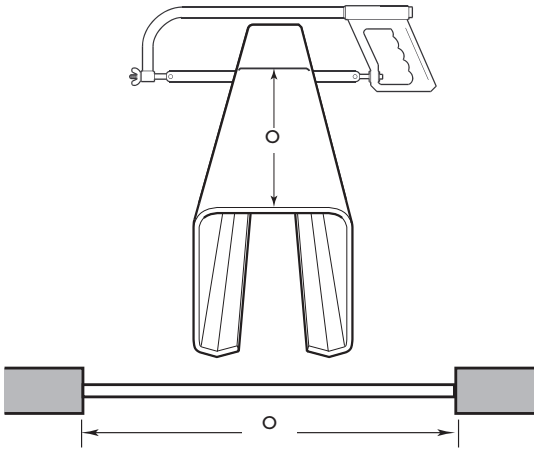
### 2. Position and secure pivot and guides to the bottom of the door



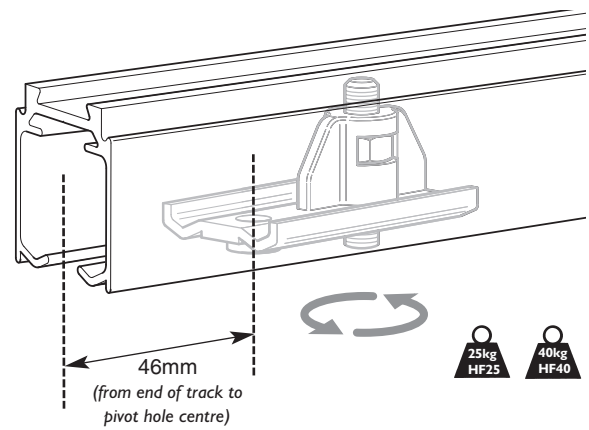
### 3. Position and secure hinges, assemble doors (Screws E)



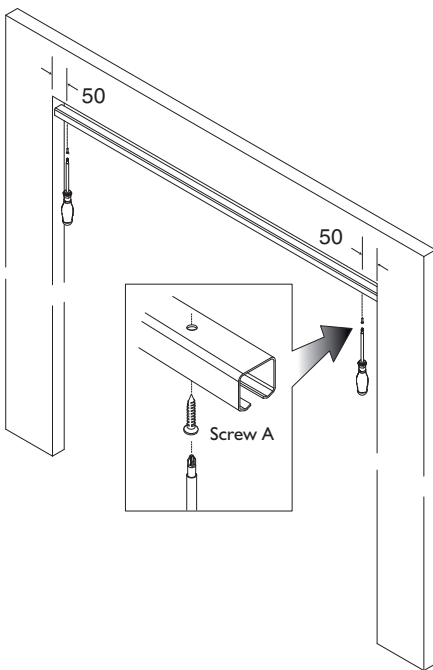
#### 4. Cut track to length



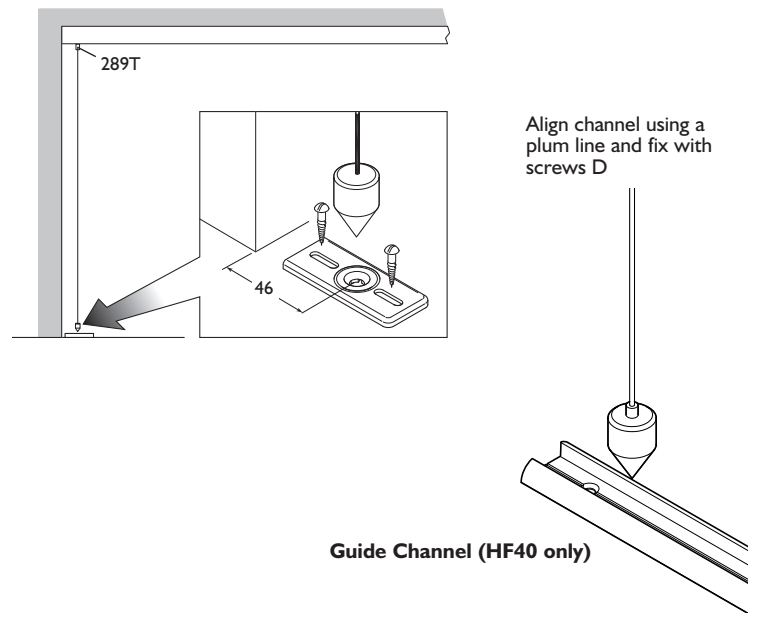
#### 5. Position and secure top bearing plate



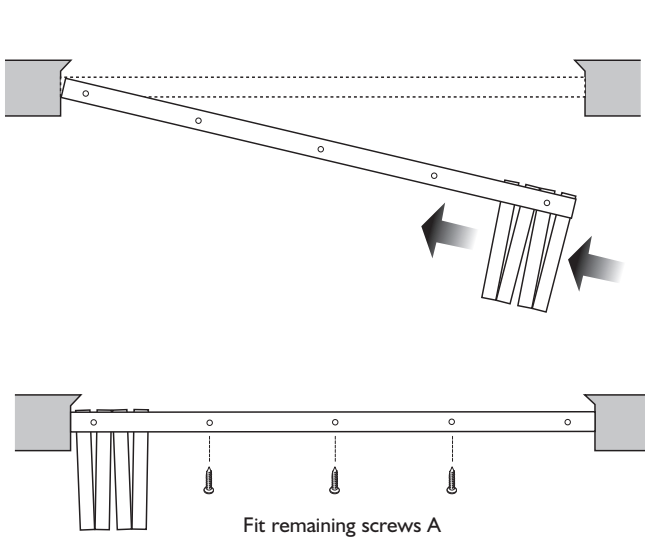
#### 6. Affix track and surface mounted channel



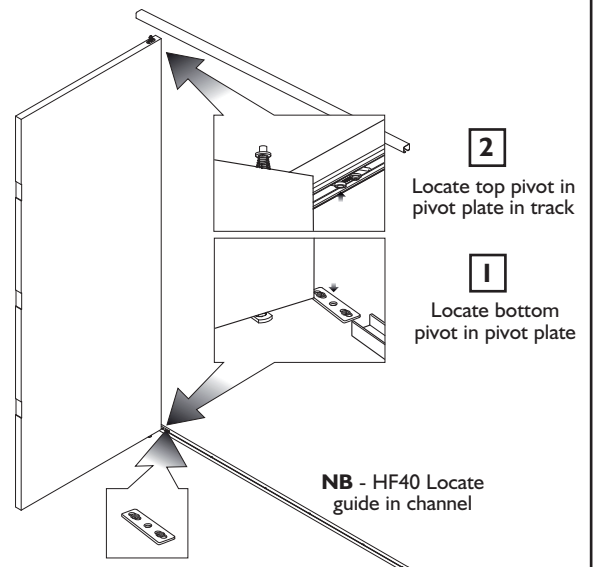
#### 7. Locate and secure bottom pivot plate to floor.



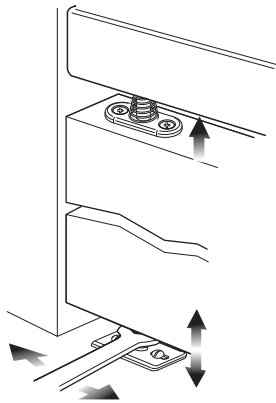
#### 8. Slide doors into track (2 man-job)



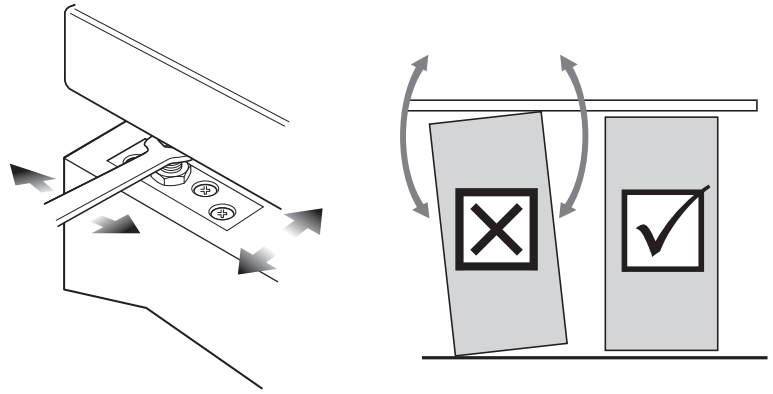
#### 9. Locate pivot points into pivot plates in track and bottom channel



**10. Adjust door height using 13mm spanner on pivot door and 10mm on hanger doors.**



**11. Align doors**



**CARE POINT** - Ensure when adjusting that the hanger supports the weight of the doors along the length of the track.

**12. Door configuration options**

