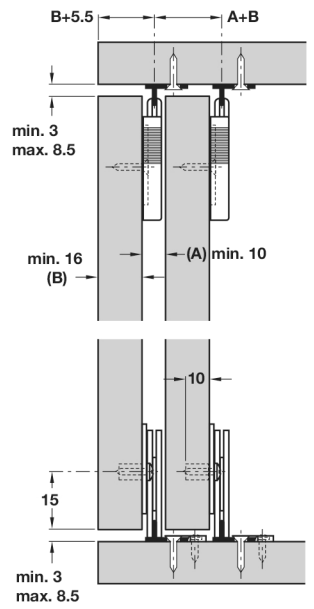
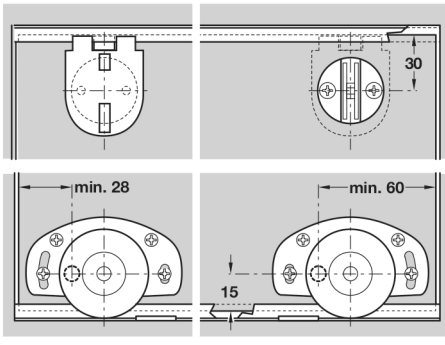


# Koblenz SYSTEM 2 BOTTOM ROLLING SYSTEM

Fittings for straight sliding bottom rolling inset cupboard doors, for domestic or light-duty commercial furniture, face fixed to rear face of door

- > System 2
- > Range:
  - Max. door weight **25 kg**
  - Door thickness **12 to 18 mm**



➔ > Tracks and fitting sets must be ordered separately, shown below

## System 2 top/bottom track

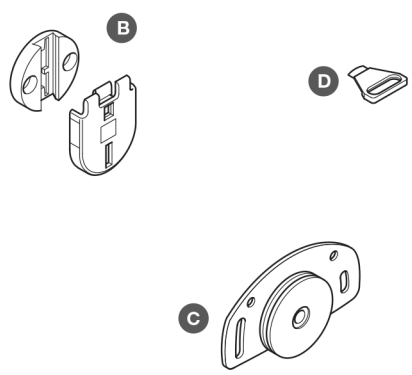


- > Top/bottom track, surface mounted, pre-drilled for mounting screws
- > Silver anodised aluminium
- > Order qty: 1 pc



Item	2.0 m
A Top/bottom track	

## System 2 bottom rolling fitting set



- > Fitting set consists of:
  - B Top guide, clip on, screw fixing, for use with track A, 54 x 41 mm, black plastic
  - C Bottom roller, screw fixing, adjustable, for use with track A, 82 x 43 mm, black plastic
  - D Track buffer, screw fixing, adjustable, black plastic
- > Order qty: 1 set (order 1 set per door)



Item	For 1 door
B Top guide	2 pcs
C Bottom roller	2 pcs
D Track buffer	1 pc