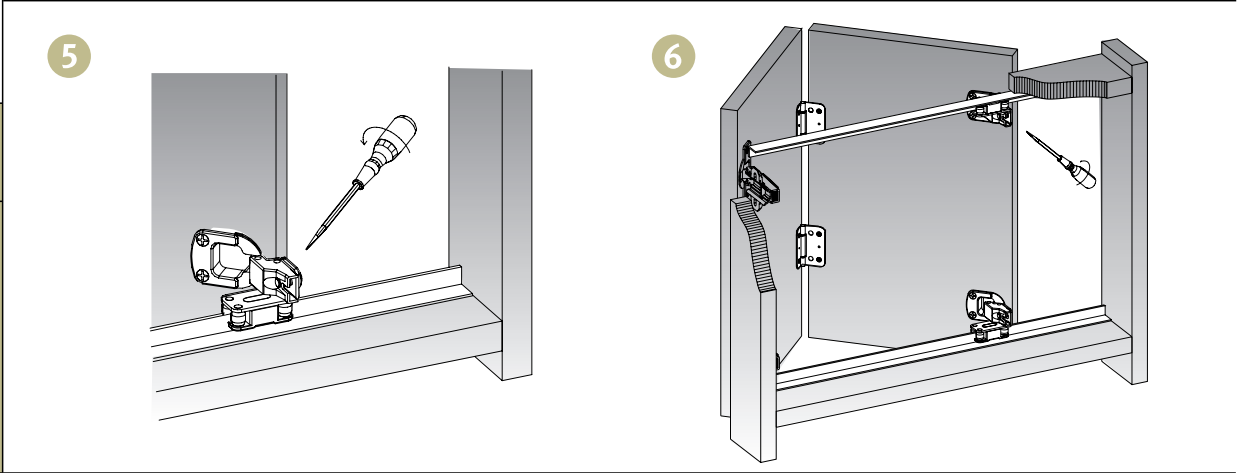
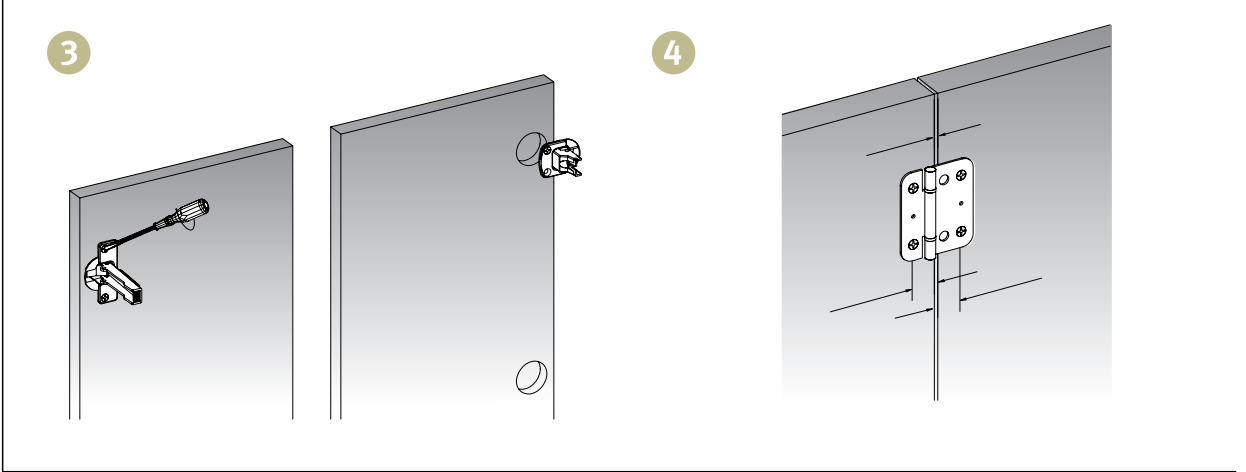
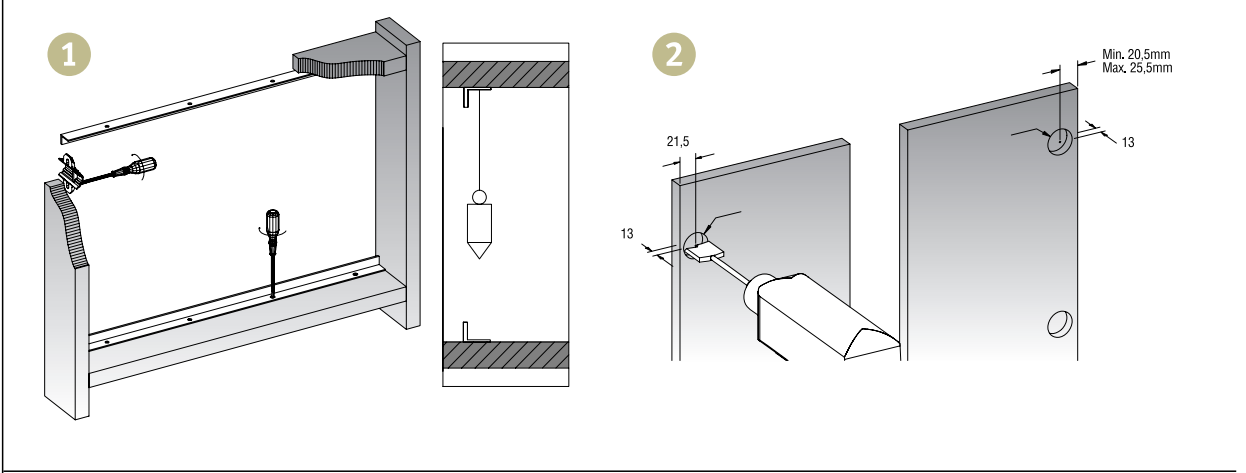
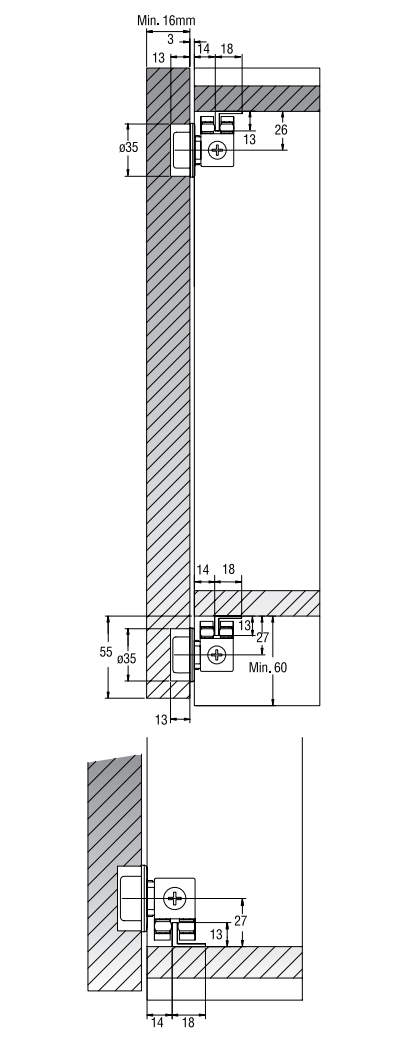
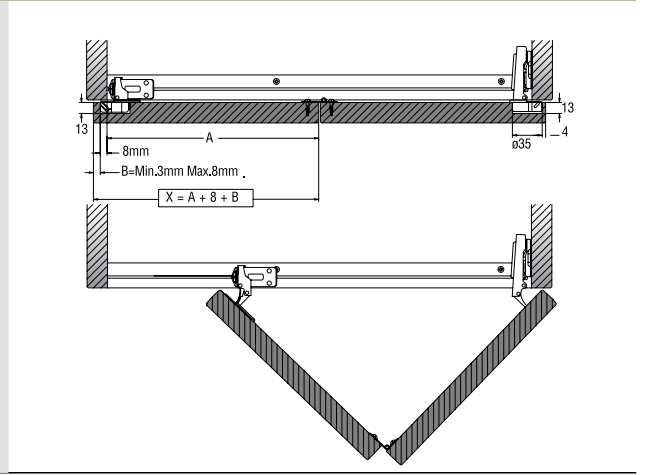
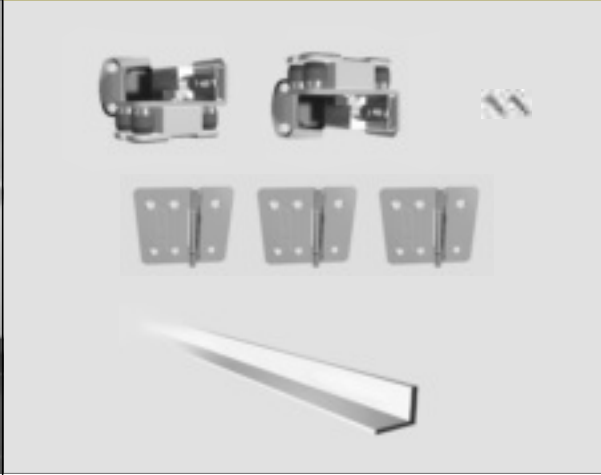


SF-16 D

PARA HOJAS PLEGABLES DE HASTA **16 KG** DE PESO POR PAR
 FOR FOLDING DOORS OF UP TO **16 KG** WEIGHT PER PAIR
 POUR PORTES PLIANTES D'UN POIDS ALLANT JUSQU'À **16 KG** PAR PAIRE



Características técnicas
 Technical characteristics
 Caractéristiques techniques



MÍN. 16 mm



MÁX. 450 mm

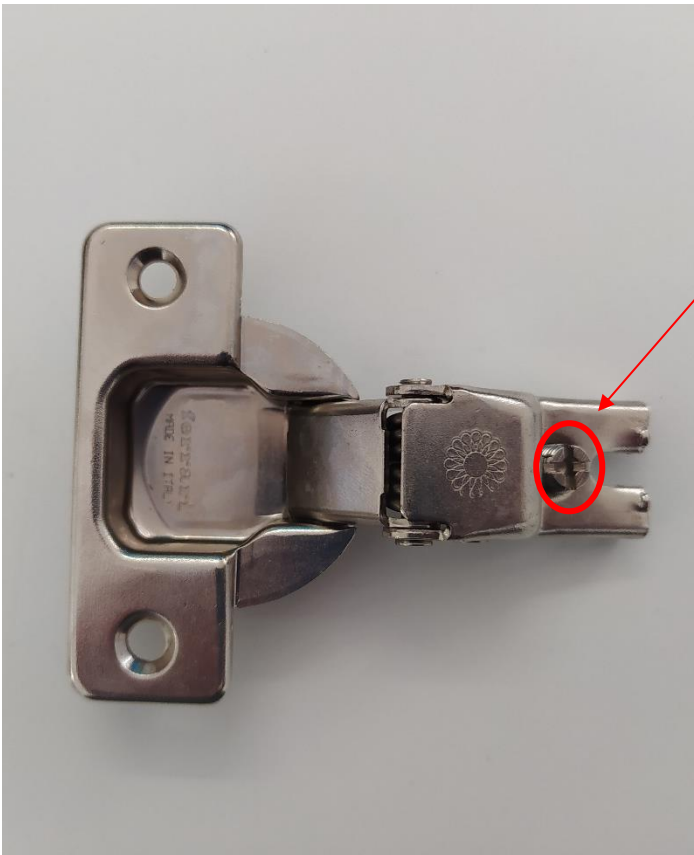


18x13 mm



18x13 mm

UNSCREW THE STUD

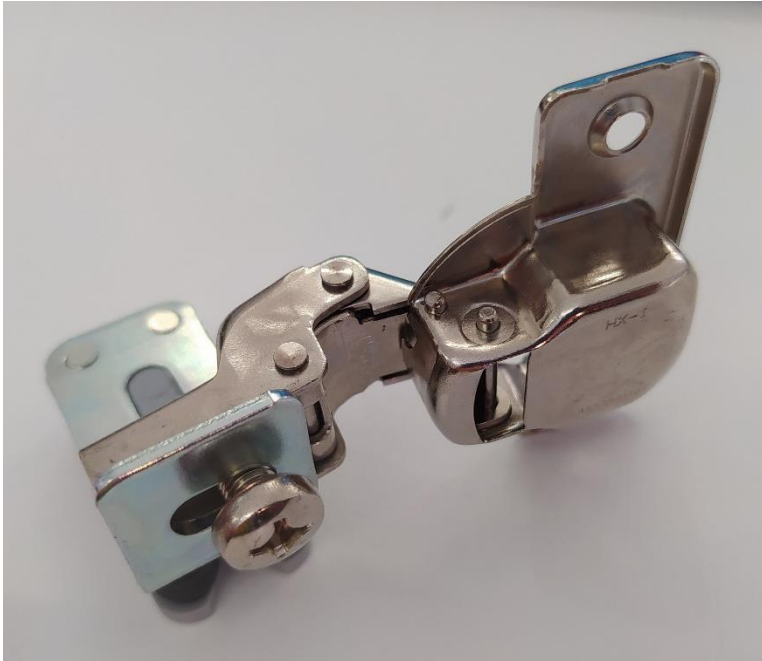




TAKE THE ROLLER AND THE
SCREW SHOWN IN THE
PICTURE



PLACE THE ROLLER BEHIND THE
“WING” OF THE HINGE AND
INSERT THE SCREW FROM
BEHIND



SAME AS PREVIOUS STEP, SEEN FROM BEHIND



SAME AS PREVIOUS STEP, SEEN FROM ABOVE. TIGHTEN THE SCREW AS MUCH AS YOU CAN TO FIT THE HINGE TO THE ROLLER