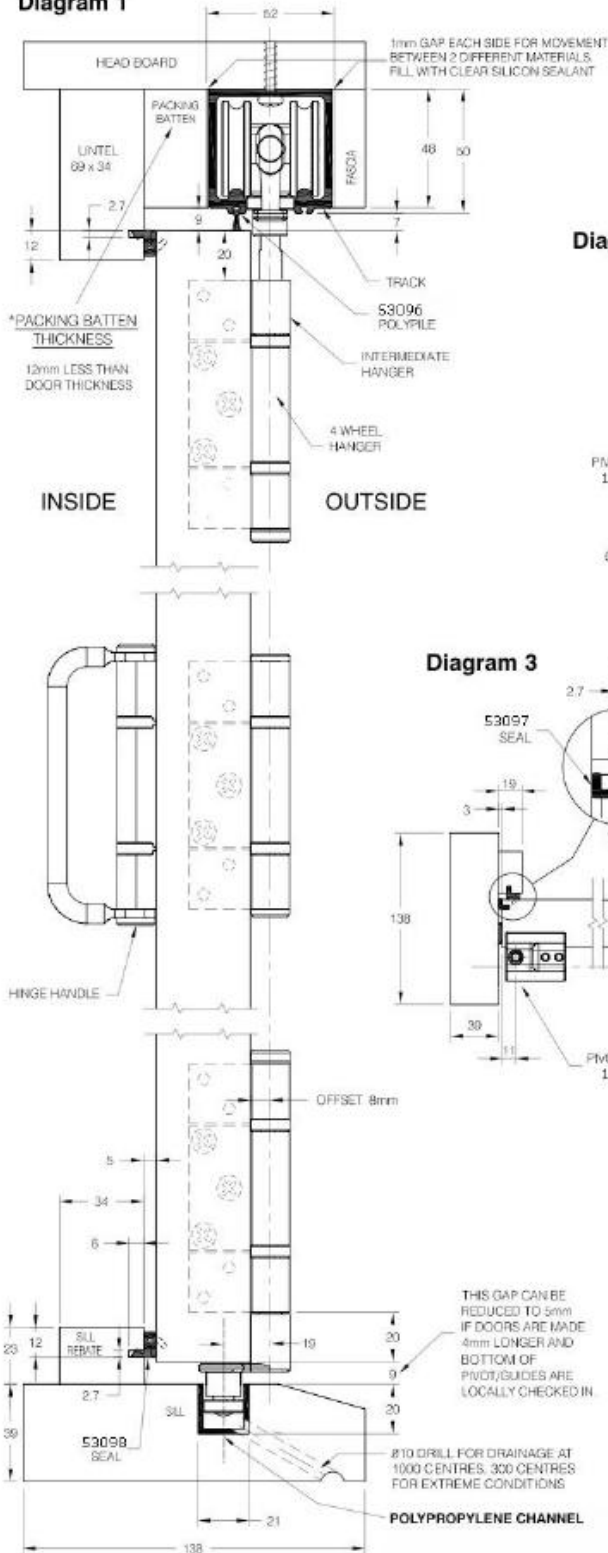


1 SECUREFOLD

SLIDING & FOLDING DOOR HARDWARE

Fitting Instructions for top hung exterior folding doors

Diagram 1



SYSTEM CAPACITY

Maximum Leaf Height	- 3300mm
Maximum Leaf Weight	- 100kg
Maximum Leaf Width	- 1000mm
Maximum Leaf Thickness	- 35-57mm

Diagram 2

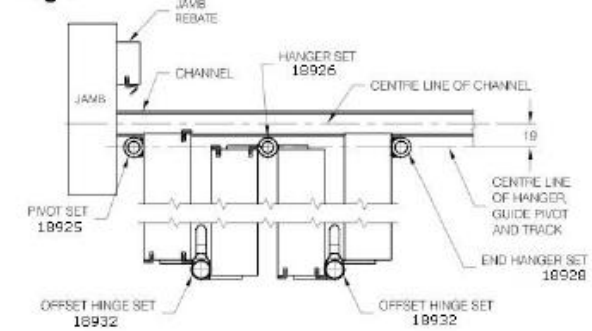


Diagram 3

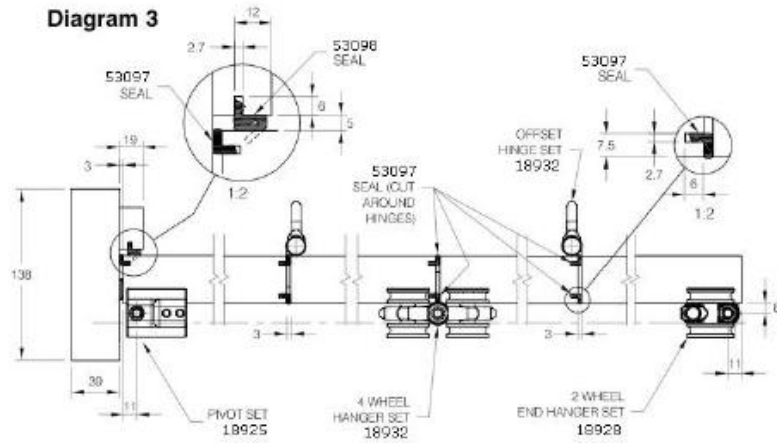
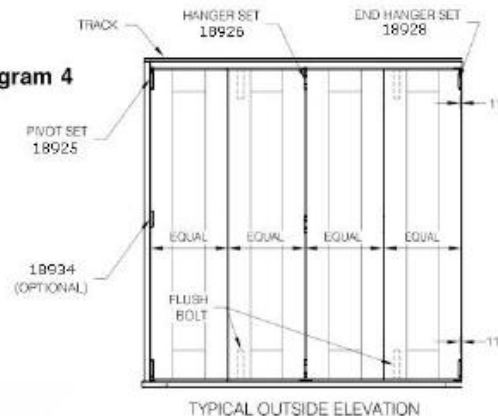


Diagram 4



PREPARATION

- 18925 - Pivot Assembly Set
- 18927 - End Hanger Set Right Hand
- 18928 - End Hanger Set Left Hand
- 18930 - Hinge Set with Handle
- 18926 - Intermediate Hanger Set
- 18931 - Hinge Set Inward Opening
- 18933 - Hinge Set Offset Inward Opening
- 18932 - Hinge Set Offset Outward Opening
- 18929 - Rebated End Hanger Meeting
- 18934 - Pivot Hinge for Doors Over 2200mm High

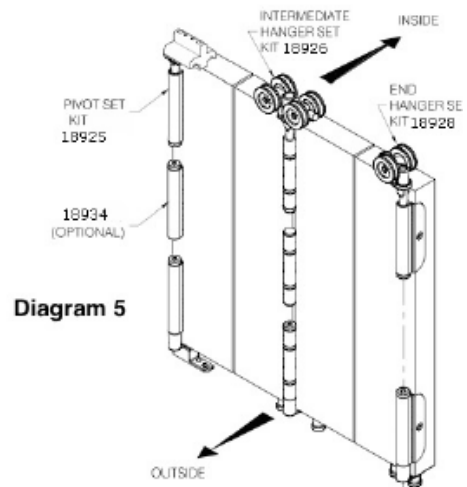
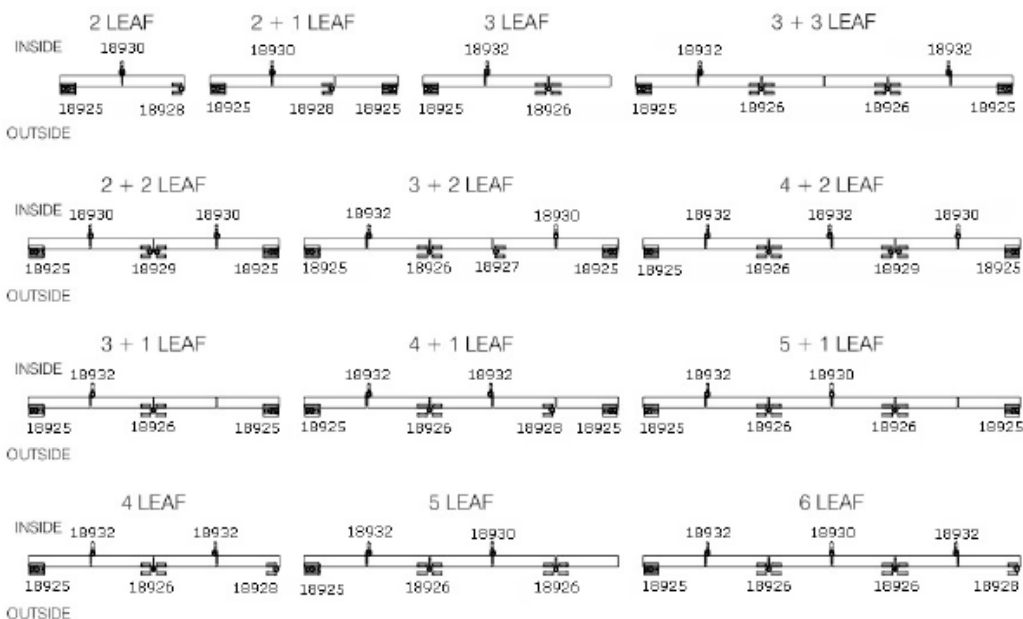


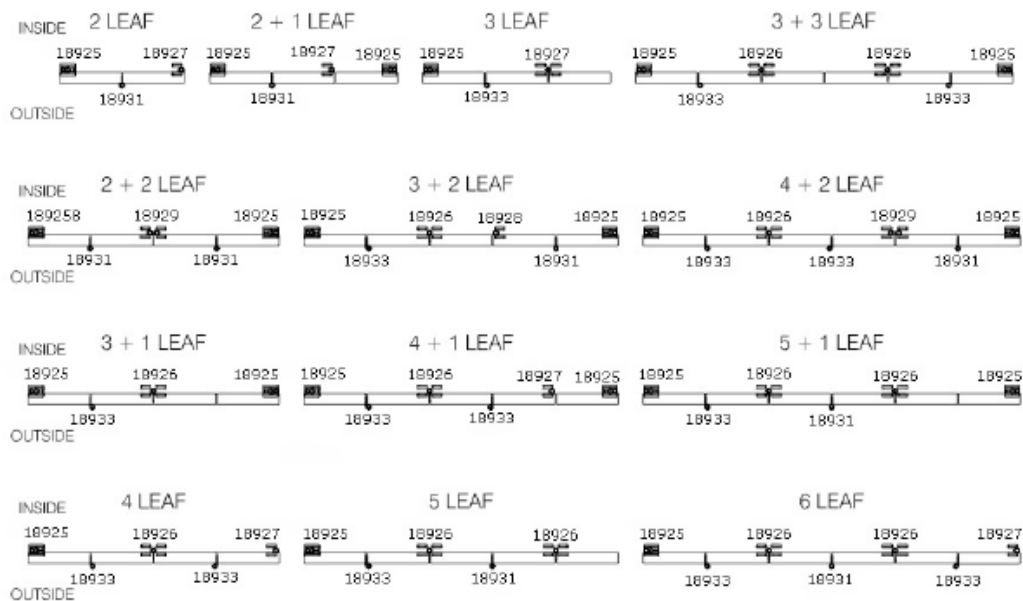
Diagram 5

Diagram 6

DOOR HARDWARE - KIT ORIENTATION, OUTWARD OPENING

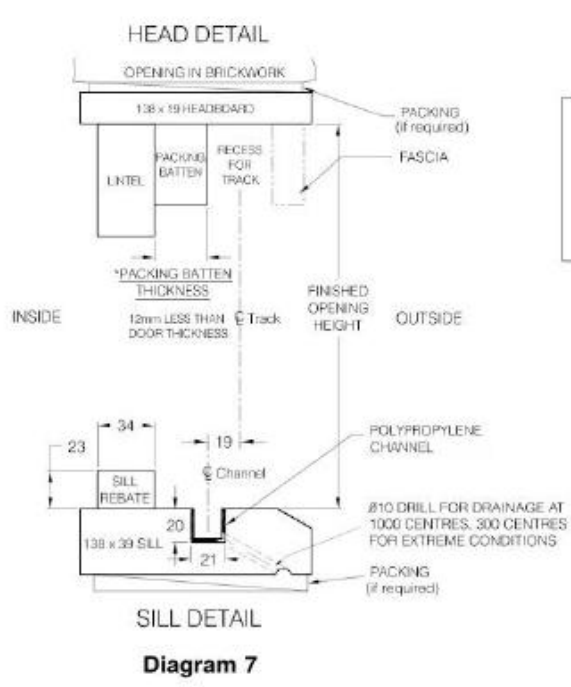


DOOR HARDWARE - KIT ORIENTATION, INWARD OPENING

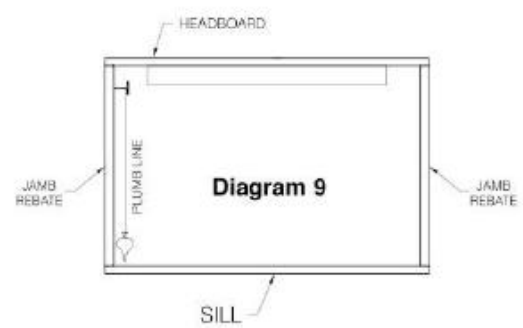
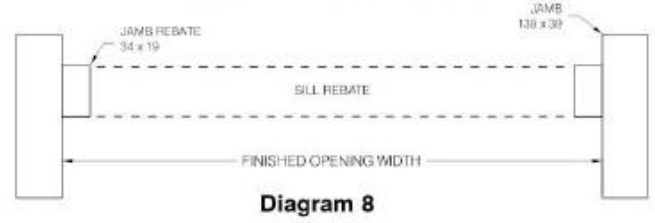


Preparing the opening

Ensure that the opening is square and that all load bearing areas are suitable for the weight of the system. Take particular care to ensure there is sufficient strength in the structure above the opening to take the concentrated weight of the doors when in the stacked position. The **Senator** system provides +/- 3mm of horizontal and vertical adjustment. Use a plumb line to ensure that the centre line of the track and the centre line of the channel are offset by 19mm.



Lintel - 89mm x 34mm
 Fascia - 48mm x 18mm
 Packing batten - 48mm x (leaf thickness - 12)



Preparing the door frame

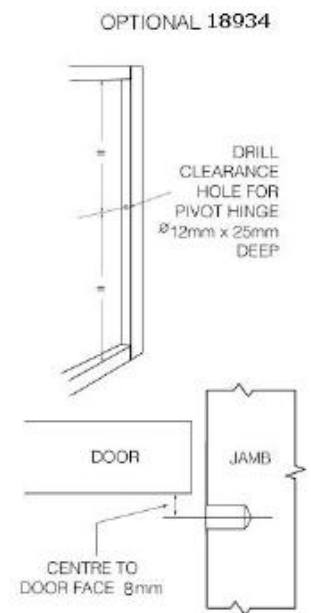
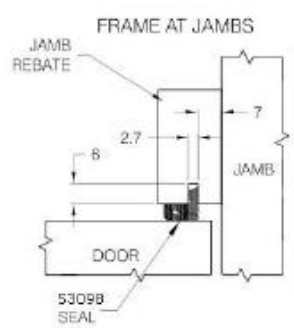
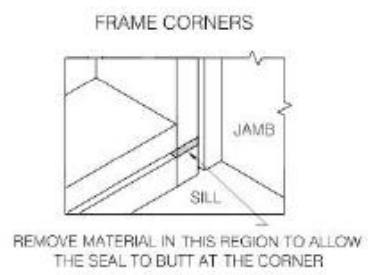
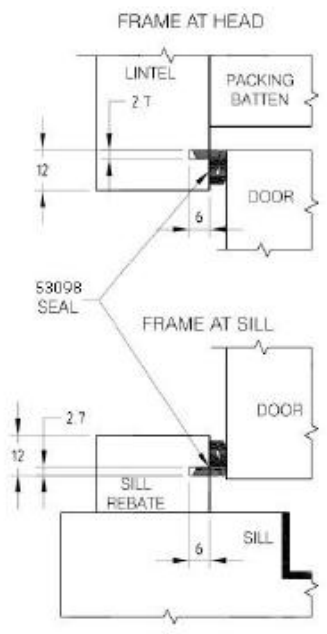


Diagram 10

Preparing the door leaves

Door leaf width calculation

1. Decide how many door leaves you want in the opening.
2. Add together all the 3mm clearances required between door leaves and the jambs (there will be one more than the number of door leaves). This is the total clearance figure.
3. Measure the finished opening width (W) and deduct from this the total clearance figure.
4. Divide this new figure (finished opening width minus total clearance) by the number of doors to produce the actual door width. (N.B. all doors with the Weatherfold system are the same width).

For example: For a 4 door leaf system with a finished opening width of 2345mm the door leaf width would be 2345mm minus (5x3mm) divided by 4 (number of door leaves) = 582.5mm.

Door leaf height calculation

Leaf height = finished opening height (see diagram 7) minus 66mm.

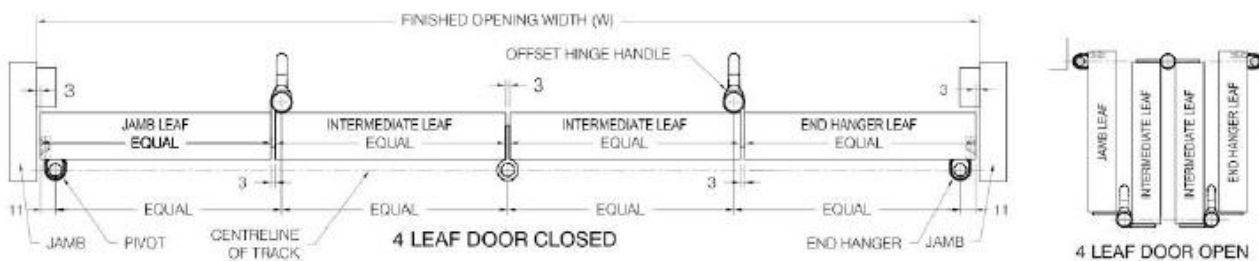


Diagram 11

Door Seals

Prepare the door leaves to accept the 53097 seal.

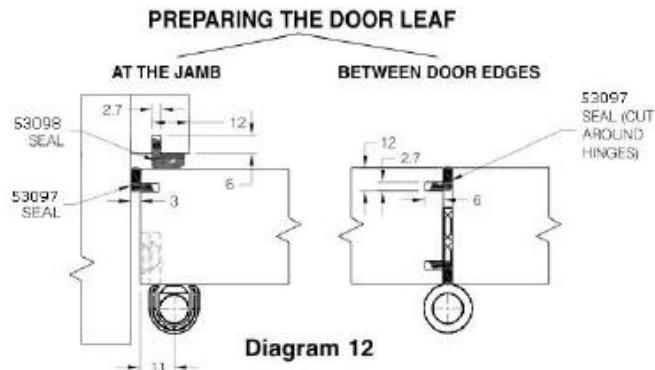


Diagram 12

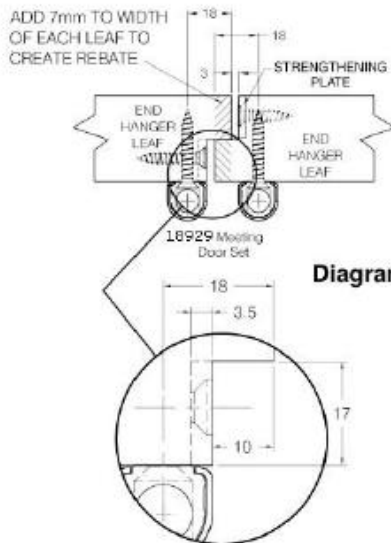
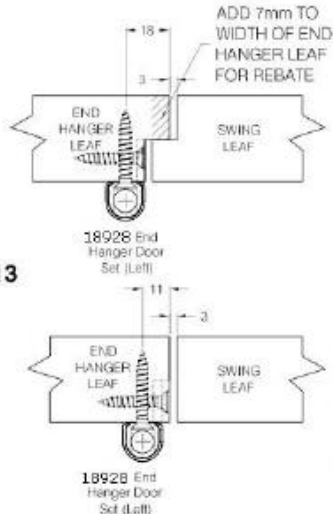


Diagram 13



Meeting Doors

Use the 18929 set for 2+2 rebated timber door configurations. For all other configurations use 18928 (left hand) or 18927 (right hand) end hanger sets. For kit handling refer to diagram 6.

5

Door hardware positioning

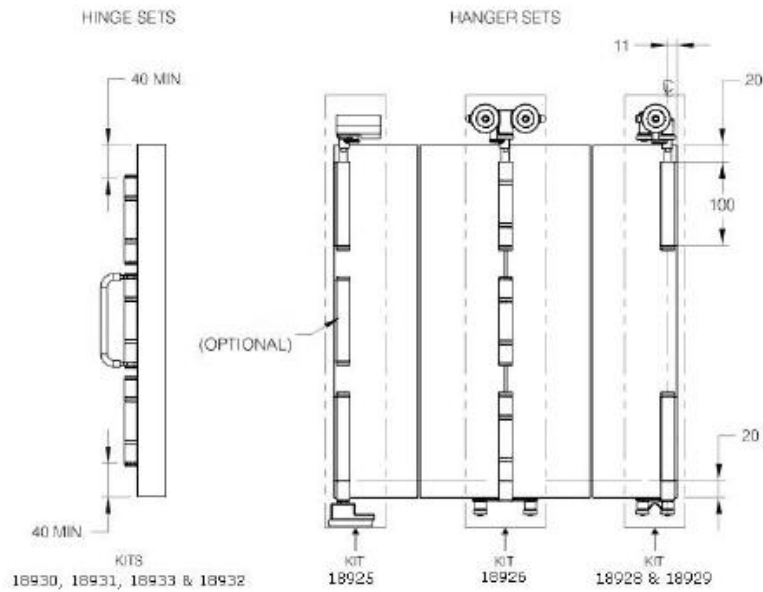


Diagram 14

End door leaf Preparation

SQUARE EDGED TIMBER DOOR REBATED MEETING TIMBER DOORS

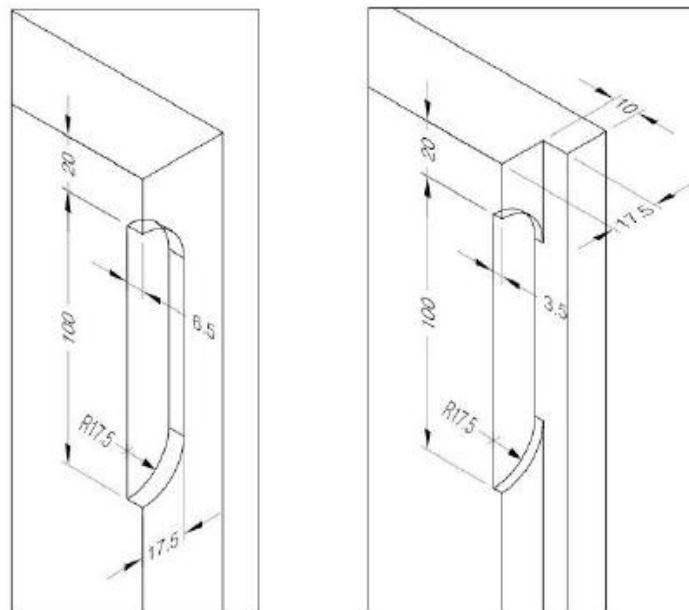
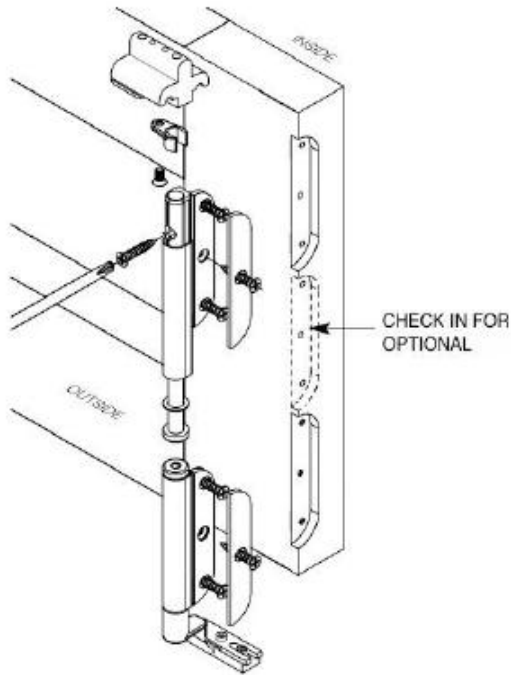
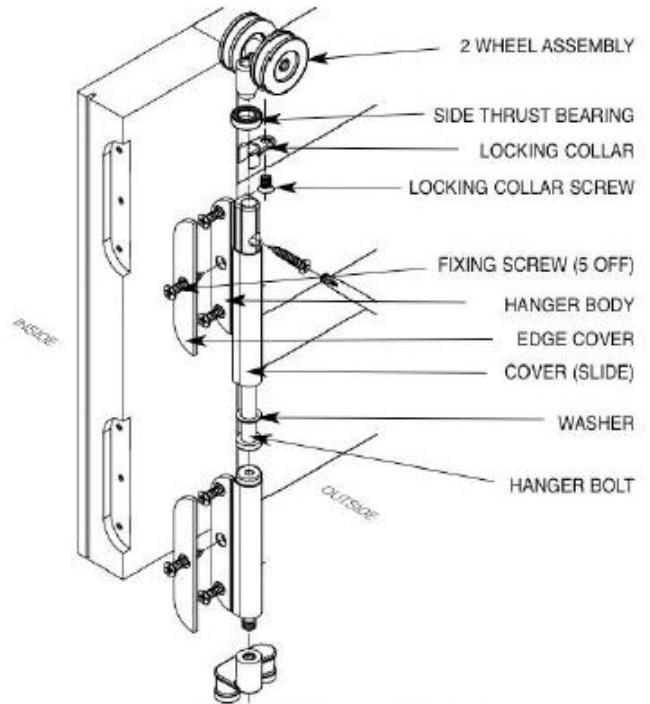


Diagram 15

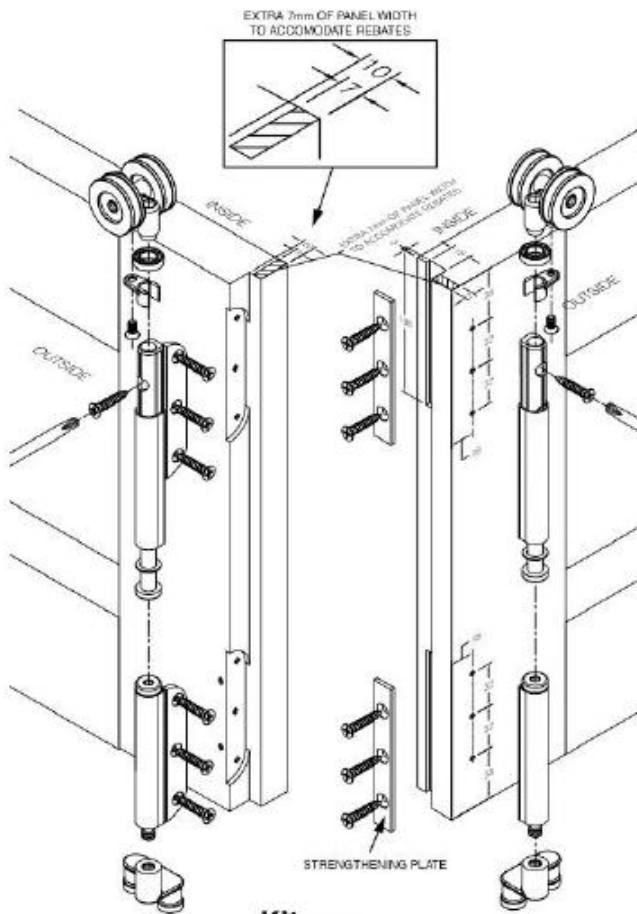
Door hardware attachment



Kit 18925

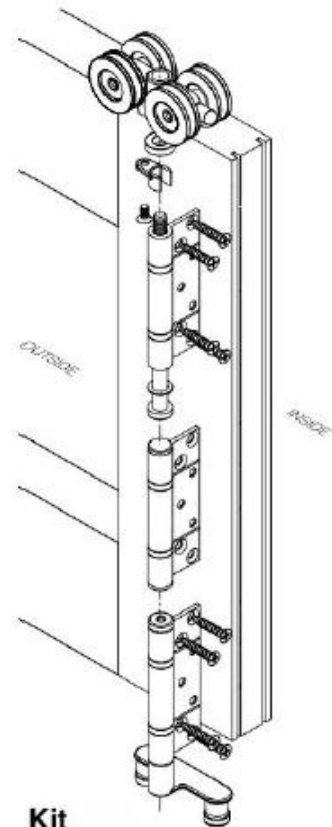


Kit 18928 (or 18927)
Left Right



Kit 18929

Diagram 16



Kit 18926

INSTALLATION

1. Ensure that you have all the required parts. Unpack the components and identify the parts. Lay the parts on the ground in the same configuration as they will be when installed.
2. Cut the track to the required length and pre-drill for fixings in accordance with diagram 17. Extra fixings are required where the doors stack together (see diagram 17).
3. Cut the channel to the required length and fit in the sill, drill drainage holes (see diagram 1).
4. Remove all the wheel assemblies and pivot block from the hanger and pivot bolts. Leave the temporary 'O' rings to retain the hanger bolts. (see diagram 18).
5. Slide the wheel assemblies and pivot block into the track in the correct order and orientation and secure the track in position.
6. For installation, assemble leaves in pairs. To improve the ease of installation pre-drill for all hinge parts. Fit kits 18925, 18932, 18926 & 18934 (optional) to first pair of leaves.
7. Remove the bottom pivot assembly and guide roller assembly (see diagram 19A). Disassemble the bottom pivot assembly.
8. Screw the bottom anchor of the bottom pivot assembly to the bottom of the channel 11mm from the jamb. Please note, the screw nearest the end of the bottom anchor is closest to the jamb (see diagram 19B). Reassemble the pivot assembly leaving the clamping screws loose (see diagram 24).
9. Suspend pairs of leaves by engaging pivot and hanger bolts using 5mm Allen key (see top of diagram 19A).
10. Attach the bottom pivot and guide assembly to their respective hinges, moving the bottom pivot side plate so that it engages with the hinge bolt. Tighten pivot and guide bolts (diagram 20).
11. Lift the next pair of leaves into position and support their weight by screwing the hanger bolt into the wheel assembly and attaching the second and third leaves together.
12. Continue this procedure until all leaves are fitted.

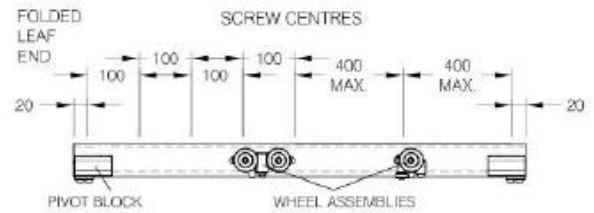


Diagram 17

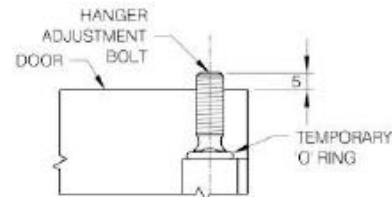


Diagram 18

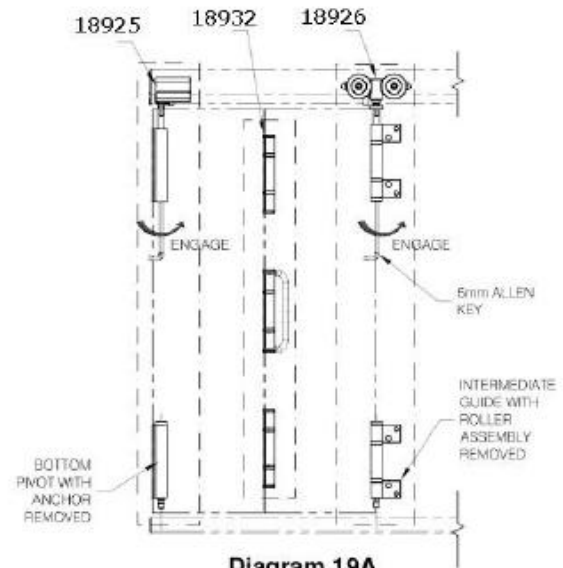


Diagram 19A

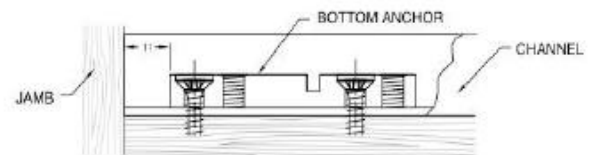


Diagram 19B

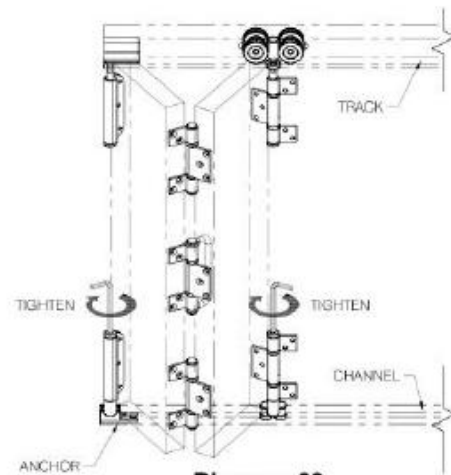
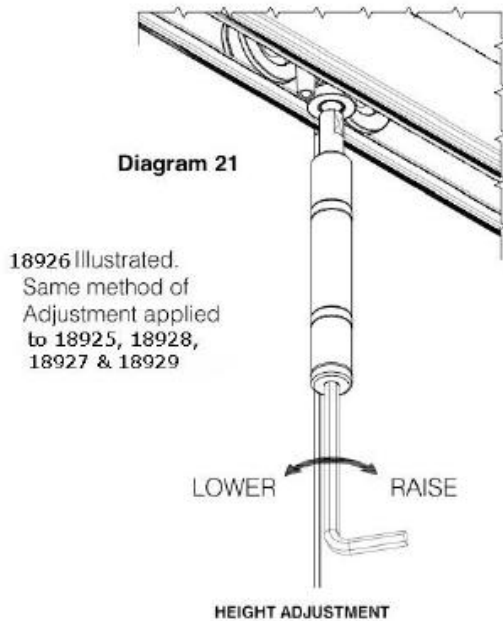
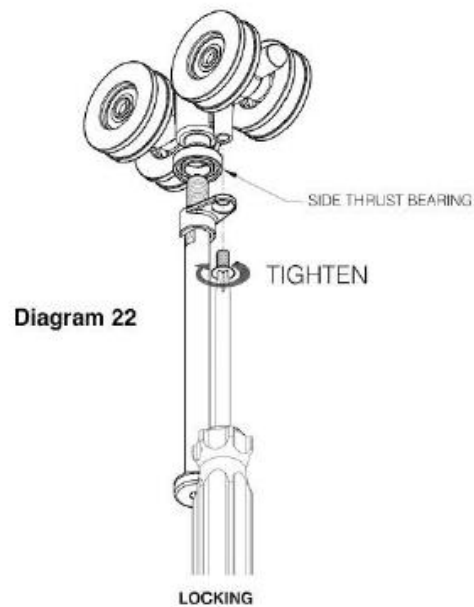


Diagram 20

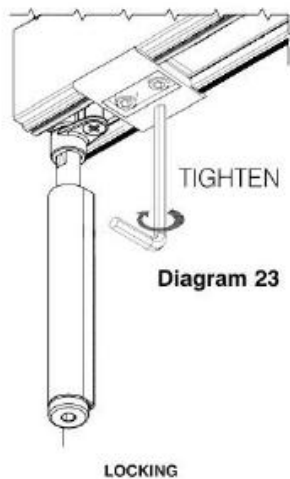
ADJUSTMENT



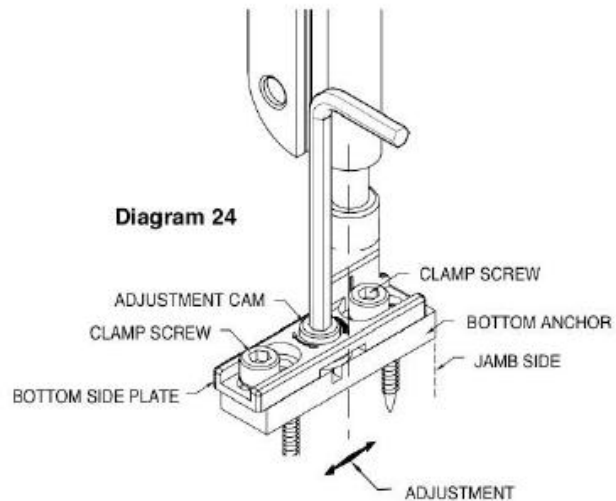
- A. Close leaves, and adjust the door height to achieve an equal gap between the top of the leaves and the track (a 7mm gap is recommended).



- B. Once adjustment is complete, slide the Locking Clamp into position and secure with the M5 screw provided.



- C. With the unit still in the closed position, slide the set of leaves towards the jamb to obtain the desired gap between the jamb and the pivot door. A gap of 3mm is recommended.



- D. Fold the leaves and adjust the bottom side plate using the allen key provided so that the gap between the door and the jamb is the same over the full length of the door. Tighten the two clamping screws to lock the side plate to the bottom anchor.

CARE AND MAINTENANCE

To provide years of trouble free operation, it is recommended that the track is kept free of dirt and debris. Spray track and wheel assemblies regularly with a silicone based dry lubricant. To prolong the appearance of the exposed hinge parts, it is recommended that they are periodically washed with soap and water.