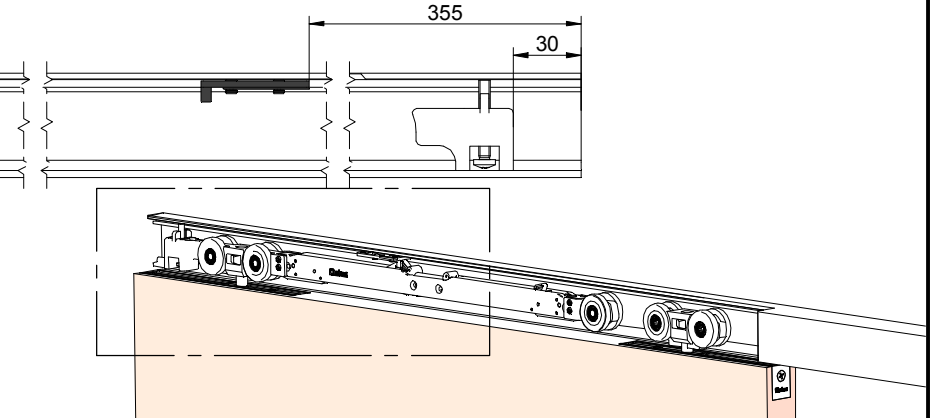
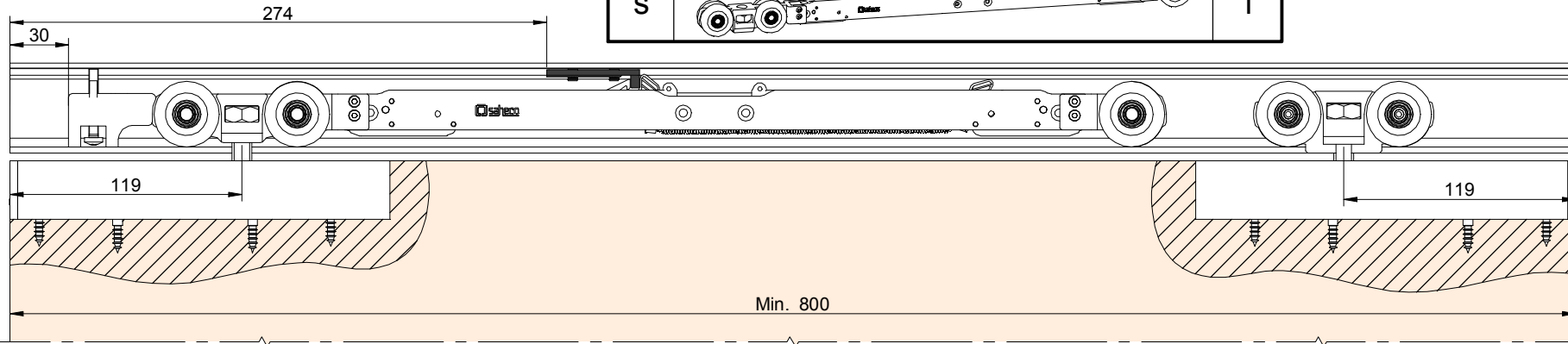
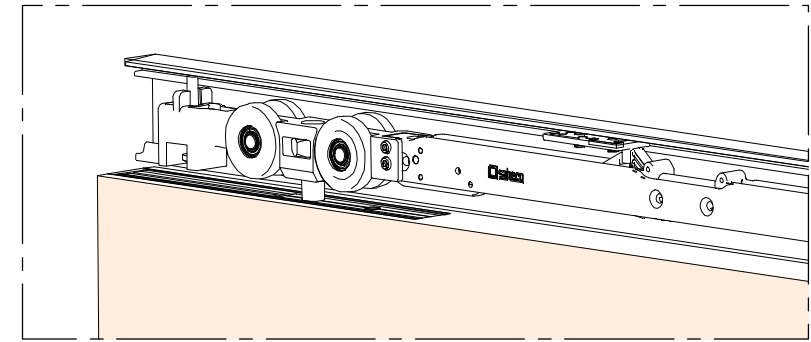




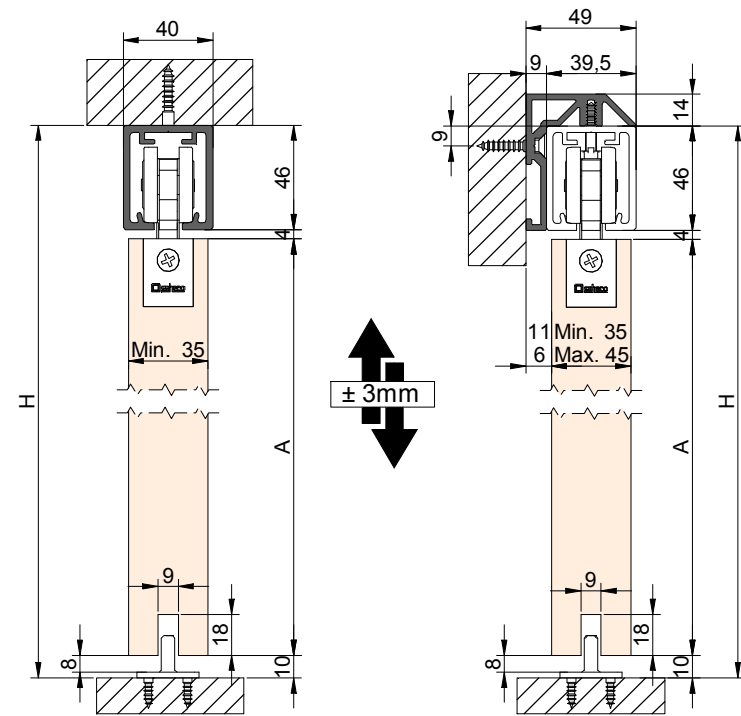
CODE: 0 140 05

a		2	h		2
b		1	j	 DIN 7505 B 5x30	4
c	 DIN 7505 A 4x20	4	k	 DIN 7505 A 5x30	4
d		1	n		1
p		2	s		2
s		1			

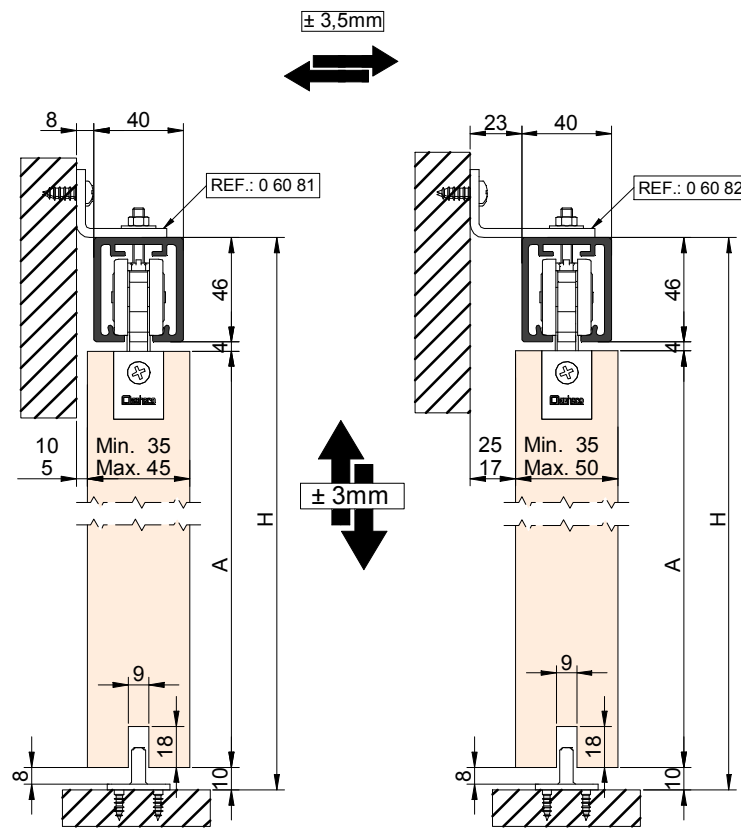
FUERZA ABRIR - Force Open = 9N (0,9Kg)
FUERZA CERRAR - Force Close = 7N (0,7Kg)



PERFIL STAR / Profile Star



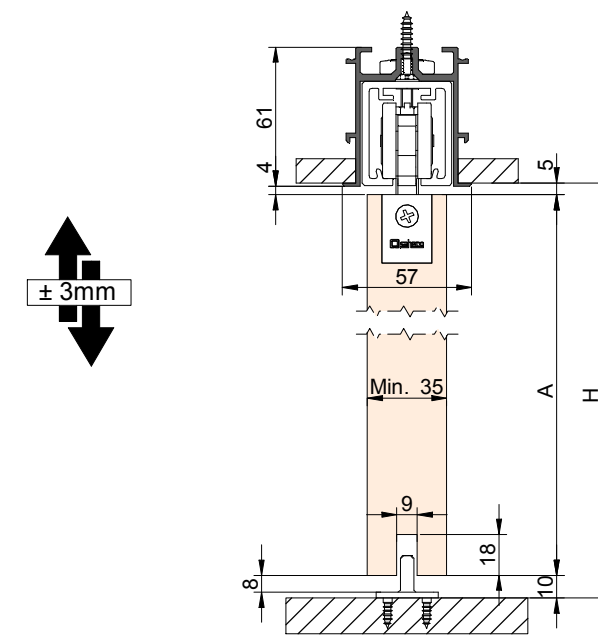
A= H-60



A= H-60

PERFIL FUNDA / cover profile

FALSO TECHO / plasterboard



A= H-15

1 MONTAJE A TECHO / Ceiling mount

2 MONTAJE A PARED + PERFIL SEPARADOR / Wall mount + full width side fixing profile

3 MONTAJE A PARED / Wall mount

4 MONTAJE COMPONENTES / Assembly components

5

6

M10

7

8

MONTAJE PERFIL FUNDA / Assembly cover profile **FALSO TECHO / plasterboard**

9

10 PERFIL STAR / Profile Star

11

12

13