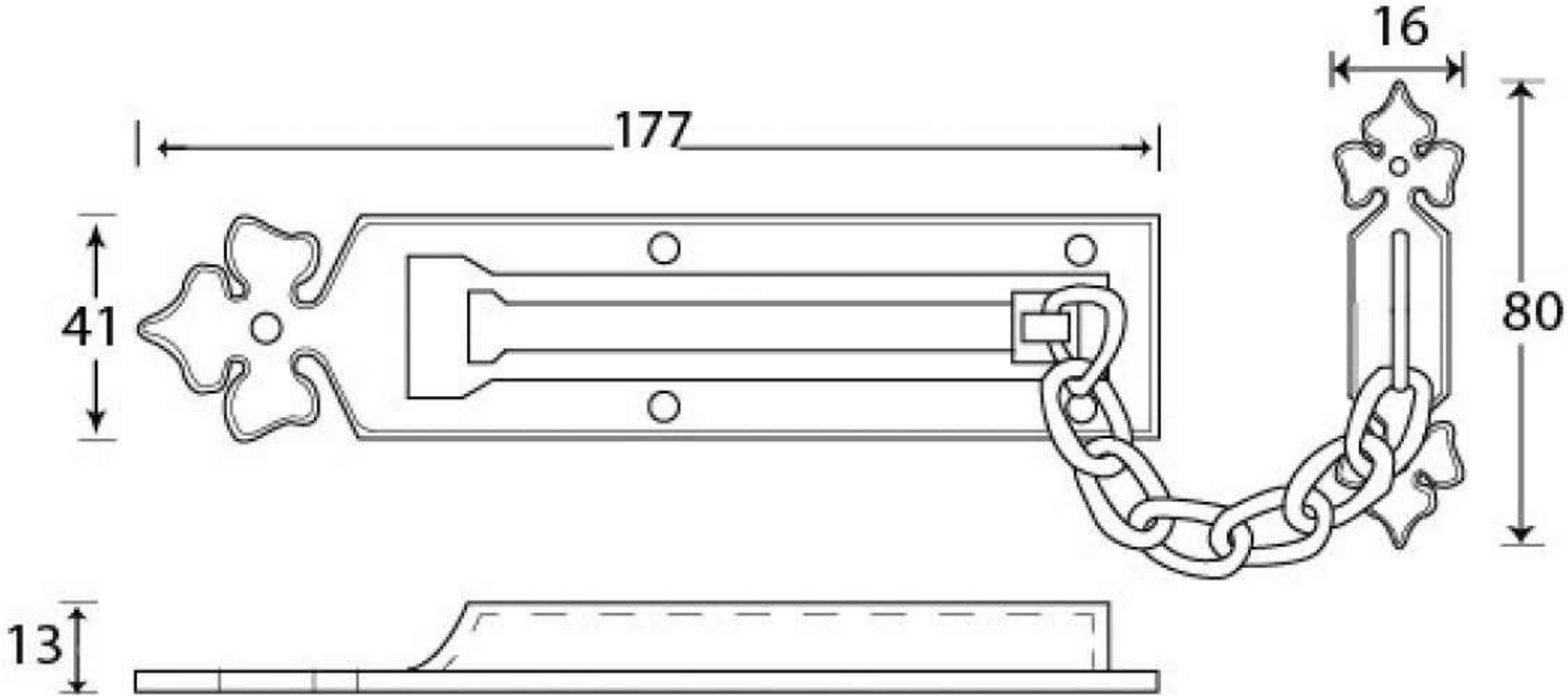


Product Code: 13516

3/4" (19mm)
x7
gauge 6 (3.5mm)



Due to the hand crafted nature of our products all measurements are approximate and should be used as a guide only