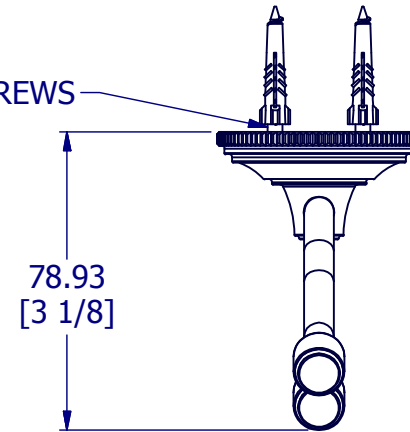
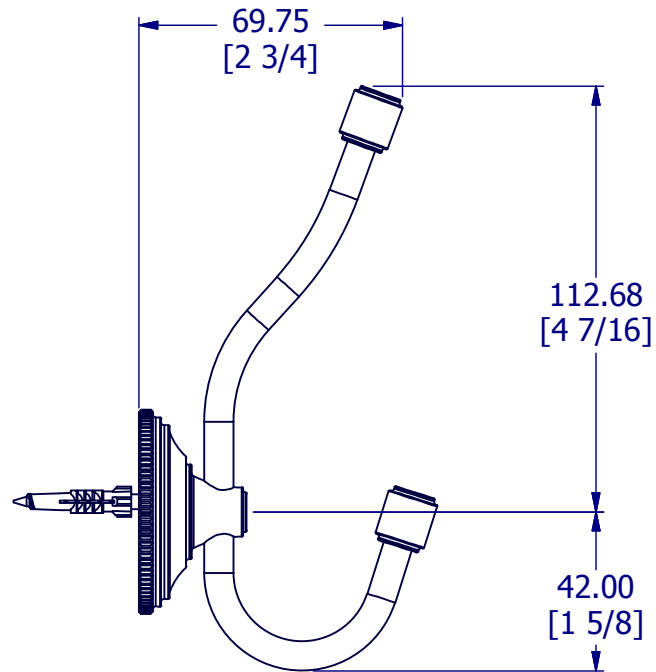


No.8 X 1.5" SCREWS



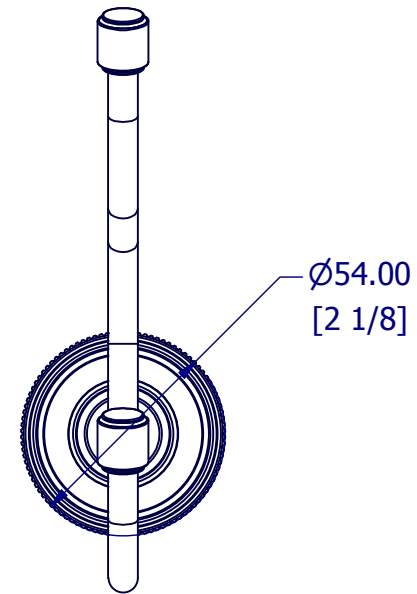
78.93
[3 1/8]



69.75
[2 3/4]

112.68
[4 7/16]

42.00
[1 5/8]



$\text{Ø}54.00$
[2 1/8]