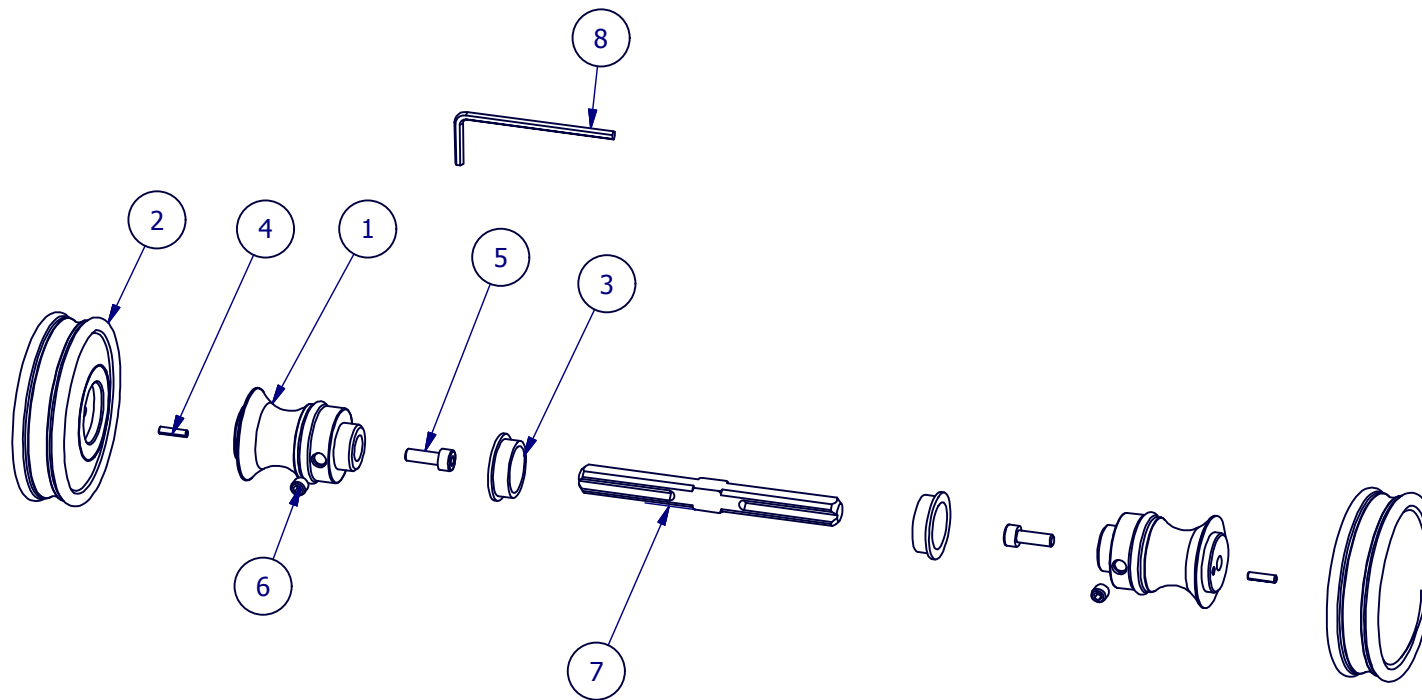


Parts List			
ITEM	QTY	PART NUMBER	DESCRIPTION
1	2	1-9018	DOOR KNOB STEM
2	2	1-9019	DOOR KNOB FINIAL
3	2	9-2798	NYLON SHOULDER WASHER
4	2	9-2263	SPRING PIN 3/32" X 3/8" SS
5	2	9-318	M4 X 12 SOC CAP SCREW
6	2	9-9581-P	M5 X 6 CONE POINT S.STEEL - PATCH
7	1	9-9404	SPINDLE - MS - 90mm
8	1	9-9552	ALLEN KEY - 2.5mm



TOLERANCES UNLESS STATED  
 DIMENSIONS ARE IN MILLIMETRES  
 SURFACE TEXTURE VALUES ARE IN MICROMETRES  
 MACHINE WHERE MARKED ✓

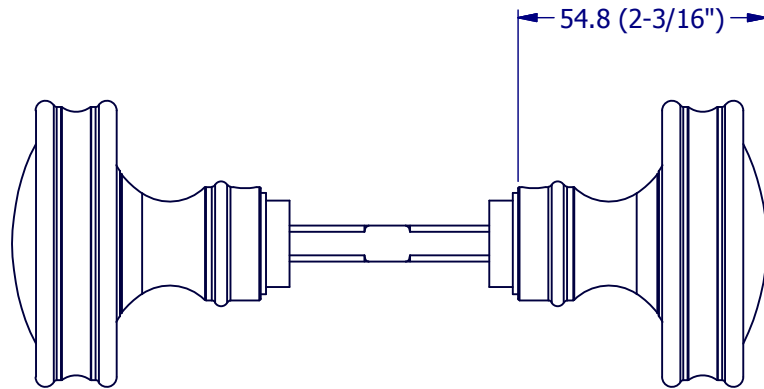
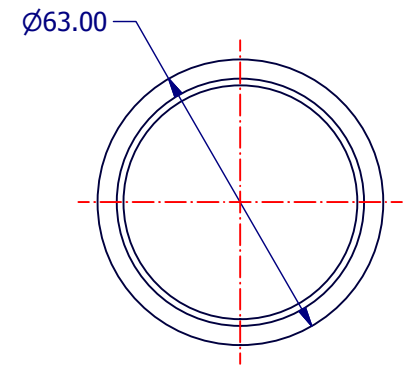
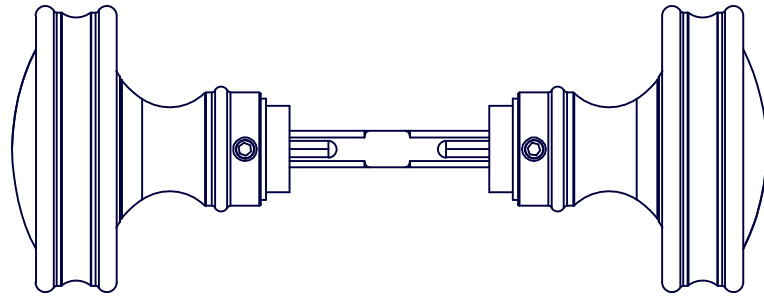
UP TO 6 ± 0.10
OVER 6 UP TO 30 ± 0.20
OVER 30 UP TO 120 ± 0.30
OVER 120 UP TO 315 ± 0.50
OVER 315 UP TO 1000 ± 0.50
OVER 1000 UP TO 2000 ± 0.50

MATERIAL	VARIOUS	SCALE	NTS
BRASS MASS	0.141 kg	DRAWN BY	A.PRICE
TREATMENT		DATE	10.07.15
FINISH	VARIOUS	CHECKED	AD

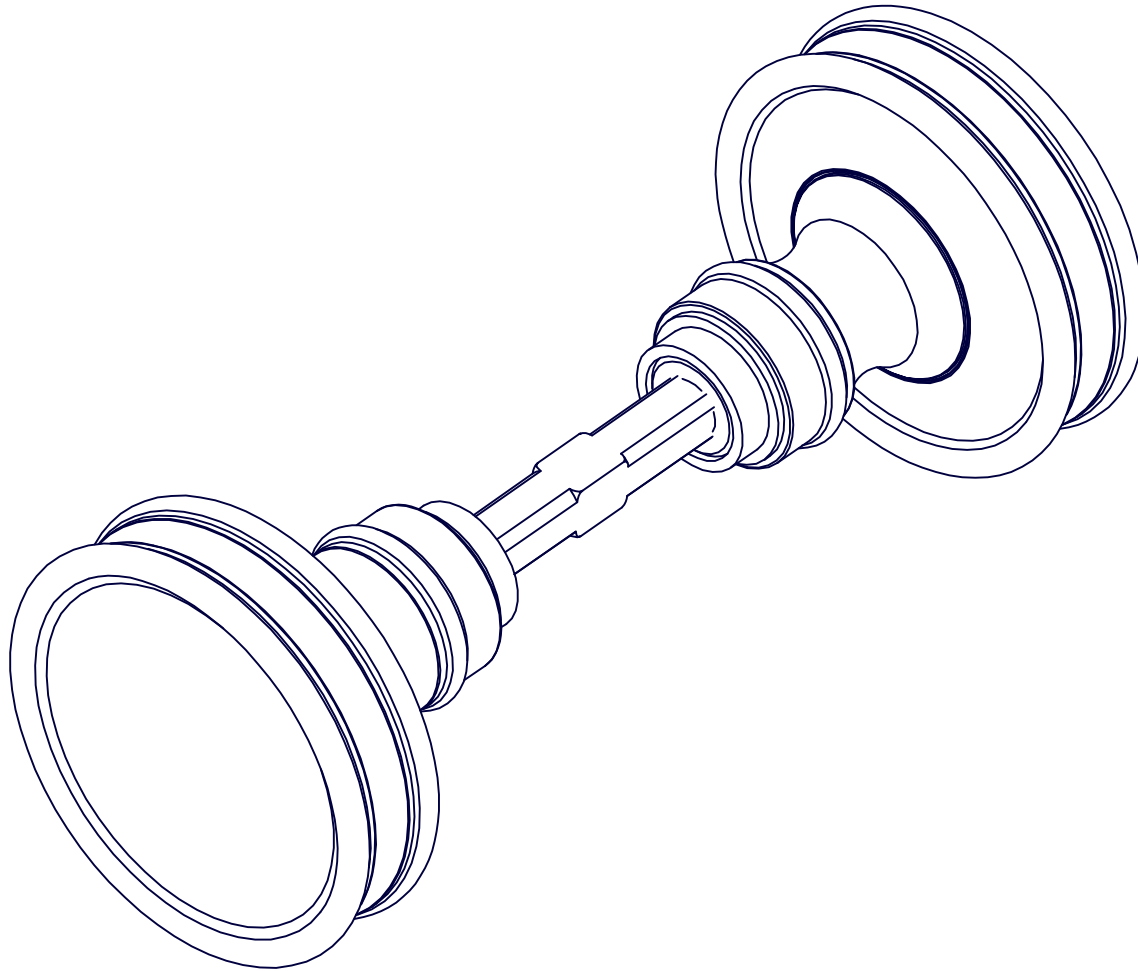
TITLE: DOOR KNOB SET
PROJECT: 940



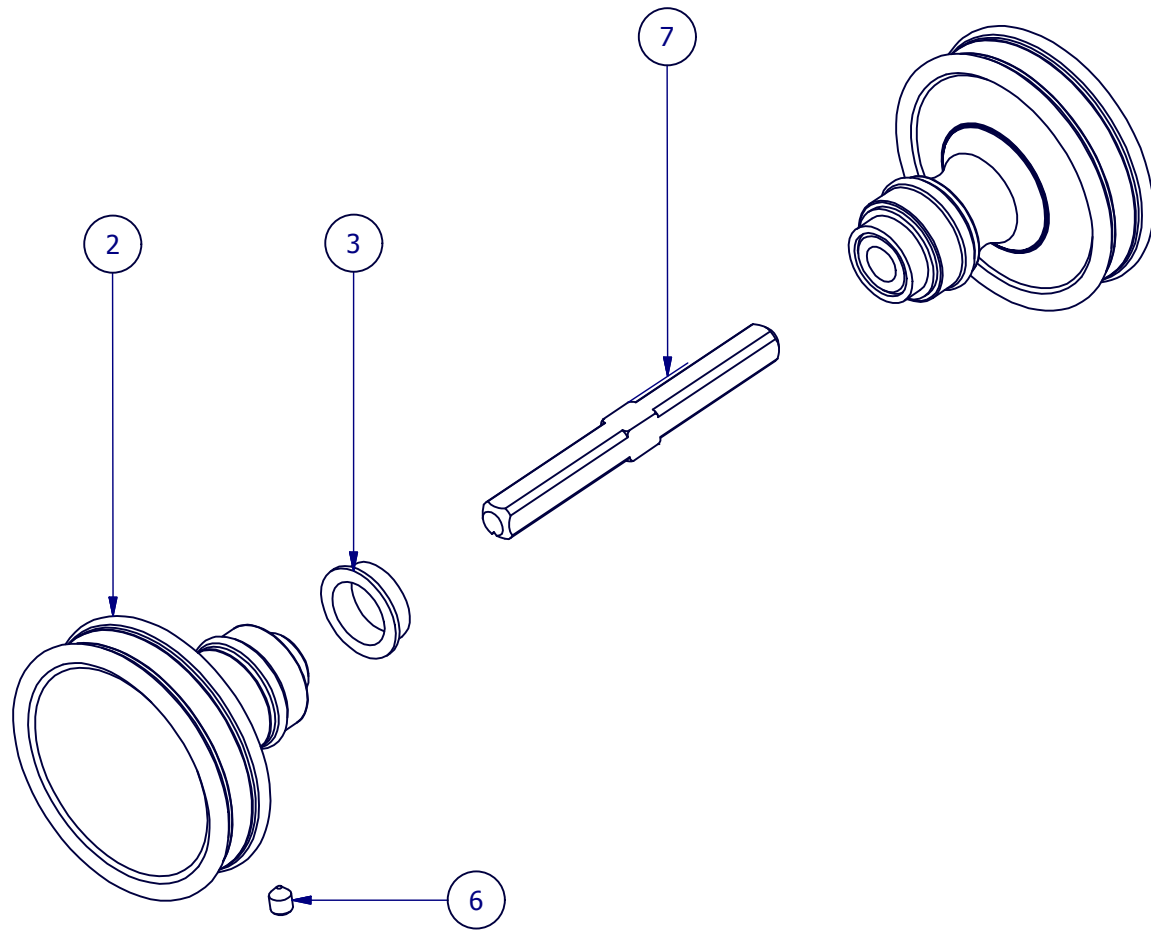
A4	THIRD ANGLE PROJ
ISS DATE	20.07.15
ISS NO	2
SHEET	1
DRG No	P8060-B



PROPERTY OF SAMUEL HEATH ©			DESIGNER	A.PRICE		
A4	DRG No	P8060-B	ISSUE NO.	2	ISSUE DATE	20.07.15



PROPERTY OF SAMUEL HEATH ©			DESIGNER	A.PRICE	
A4	DRG No	P8060-B	ISSUE NO.	2	ISSUE DATE 20.07.15



PROPERTY OF SAMUEL HEATH ©			DESIGNER	A.PRICE	
A4	DRG No	P8060-B	ISSUE NO.	2	ISSUE DATE 20.07.15