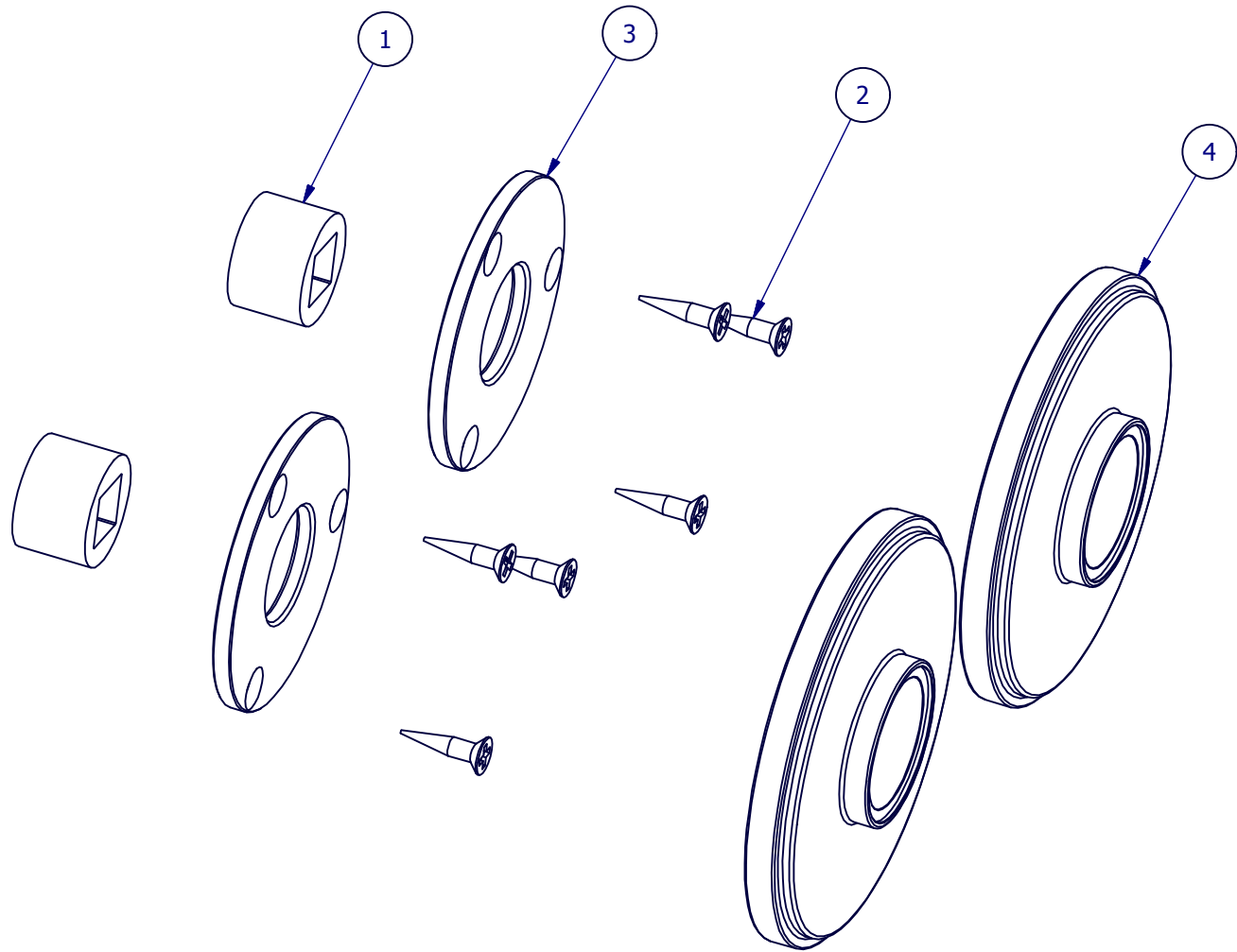


Parts List			
ITEM	QTY	PART NUMBER	DESCRIPTION
1	2	9-1997	SPACER SETTING TOOL
2	6	9-2201	No.4 X 1/2" CSK ZP POZI TWINS
3	2	1-5926	CHASSIS
4	2	1-9034	CONTEMPORARY ROSE



TOLERANCES UNLESS STATED  
 DIMENSIONS ARE IN MILLIMETRES  
 SURFACE TEXTURE VALUES ARE IN MICROMETRES  
 MACHINE WHERE MARKED ✓

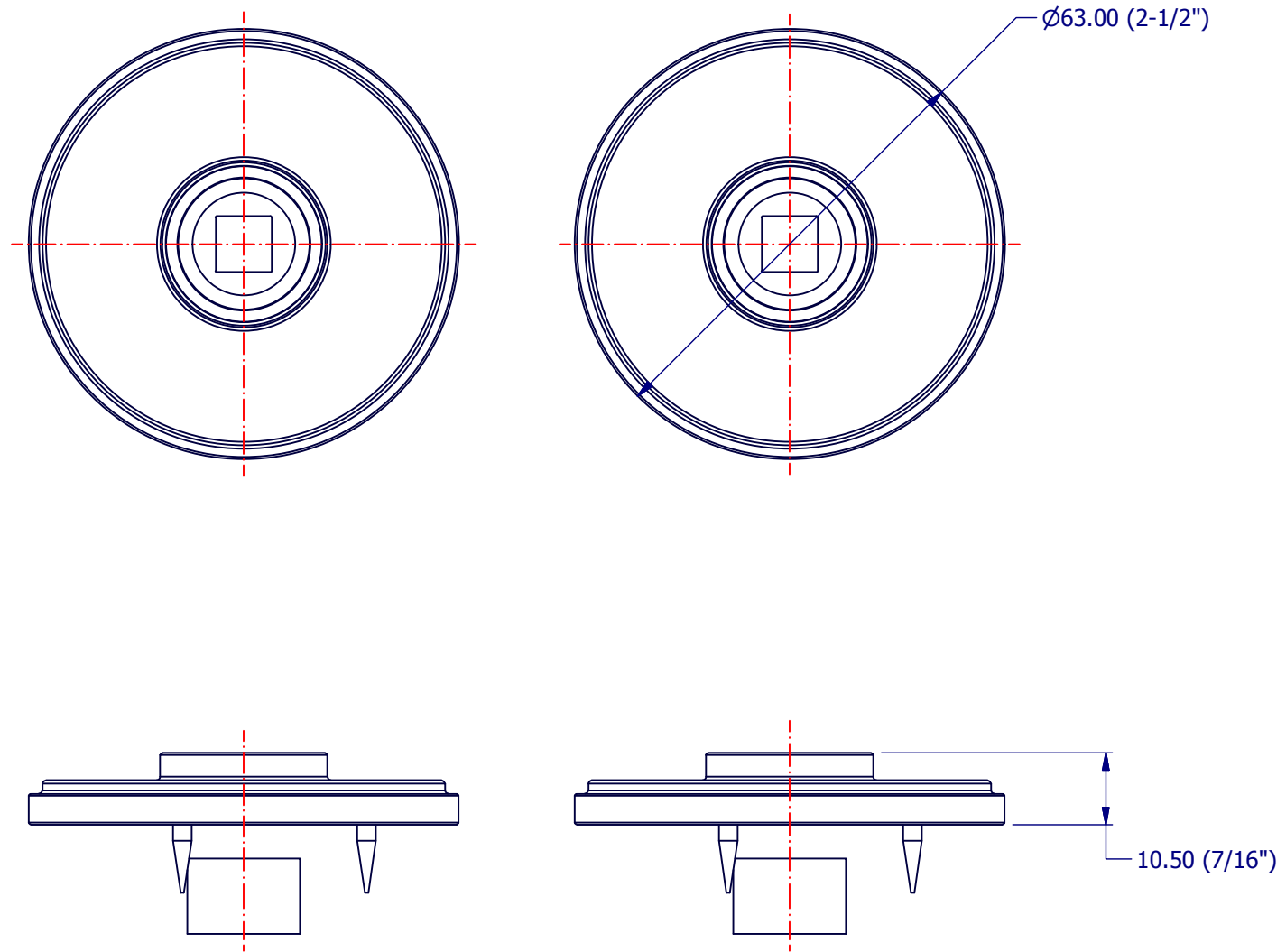
UP TO 6 ± 0.10  
 OVER 6 UP TO 30 ± 0.20  
 OVER 30 UP TO 120 ± 0.30  
 OVER 120 UP TO 315 ± 0.50  
 OVER 315 UP TO 1000 ± 0.50  
 OVER 1000 UP TO 2000 ± 0.50

MATERIAL	BRASS	SCALE	NTS
BRASS MASS	0.255 kg	DRAWN BY	A.PRICE
TREATMENT		DATE	30.06.15
FINISH	VARIOUS	CHECKED	AD

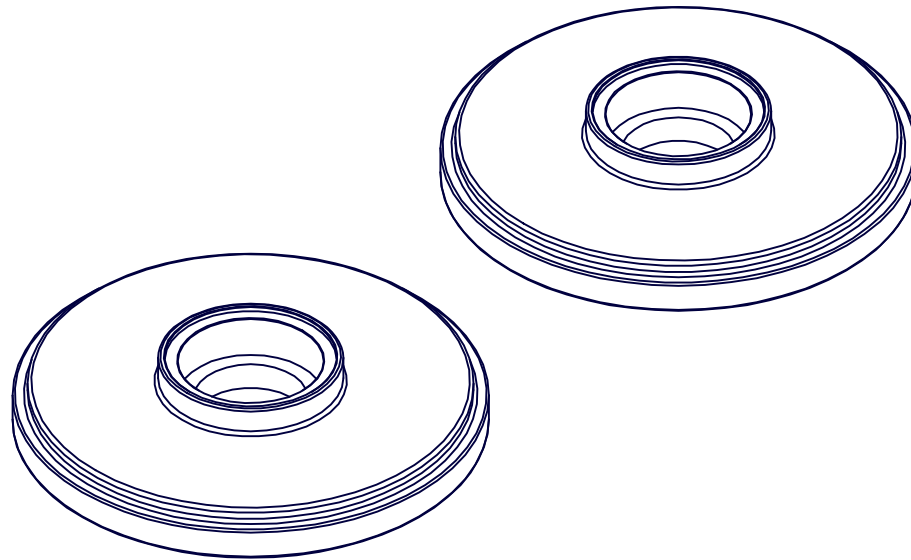
TITLE:	SPARE ROSE SET
PROJECT:	940



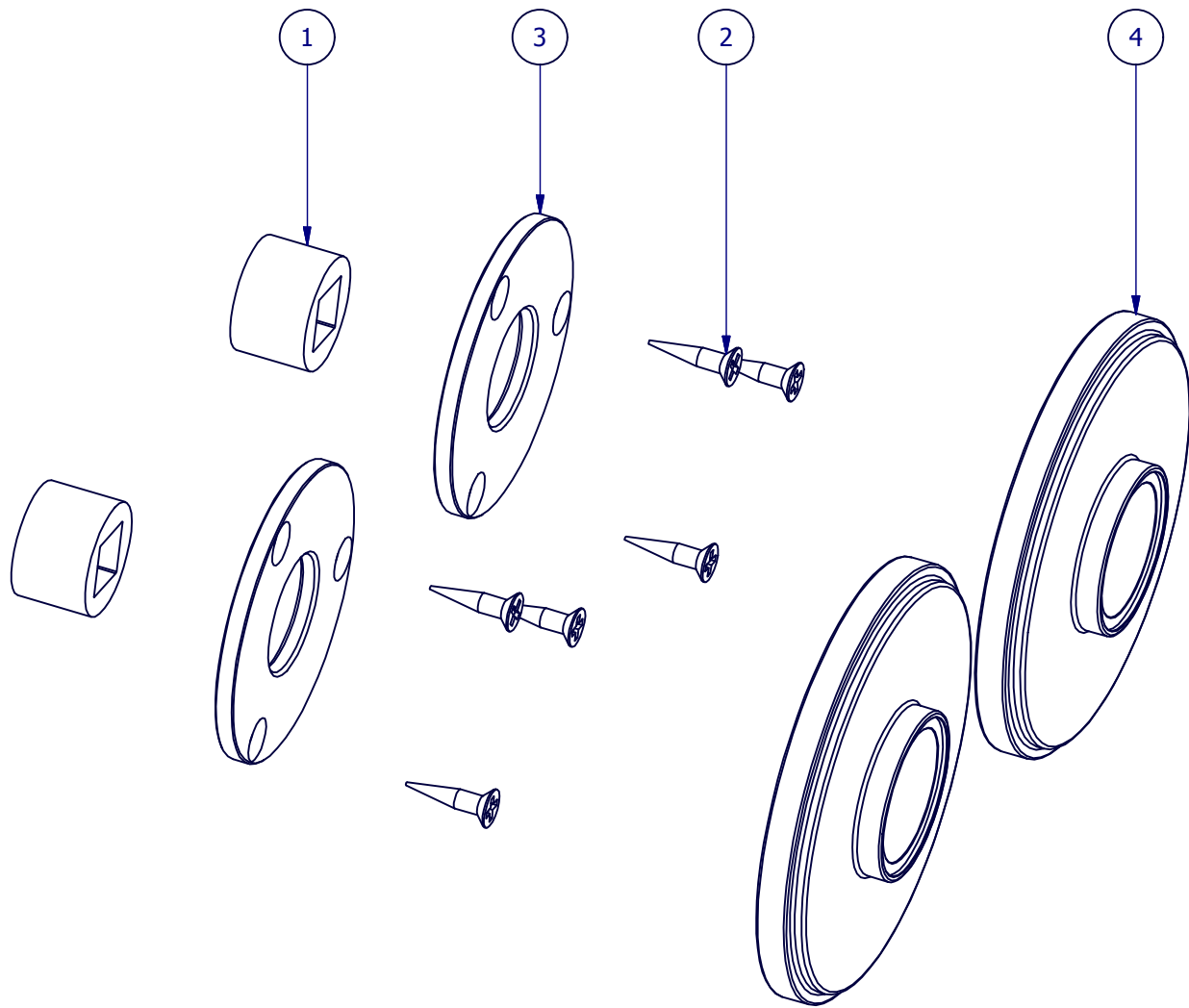
A4	THIRD ANGLE PROJ
ISS DATE	30.06.15
ISS NO	1
SHEET	1
DRG No	P8009-B



PROPERTY OF SAMUEL HEATH ©			DESIGNER	A.PRICE	
A4	DRG No.	P8009-B	ISSUE NO.	1	ISSUE DATE 14.07.15



PROPERTY OF SAMUEL HEATH ©			DESIGNER	A.PRICE		
A4	DRG No	P8009-B	ISSUE NO.	1	ISSUE DATE	14.07.15



PROPERTY OF SAMUEL HEATH ©			DESIGNER	A.PRICE	
A4	DRG No	P8009-B	ISSUE NO.	1	ISSUE DATE 15.07.15