

| Parts List | | | |
|------------|-----|-------------|-----------------------------------|
| ITEM | QTY | PART NUMBER | DESCRIPTION |
| 1 | 2 | 1-9035 | CONTEMPORARY STEM |
| 2 | 2 | 1-9036 | CONTEMPORARY KNOB |
| 3 | 2 | 9-2798 | NYLON SHOULDER WASHER |
| 4 | 2 | 9-2263 | SPRING PIN 3/32" X 3/8" SS |
| 5 | 2 | 9-318 | M4 X 12 SOC CAP SCREW |
| 6 | 2 | 9-9581-P | M5 X 6 CONE POINT S.STEEL - PATCH |
| 7 | 1 | 9-9404 | SPINDLE - MS - 90mm |
| 8 | 1 | 9-9552 | ALLEN KEY - 2.5mm |

TOLERANCES UNLESS STATED
 DIMENSIONS ARE IN MILLIMETRES
 SURFACE TEXTURE VALUES ARE IN MICROMETRES
 MACHINE WHERE MARKED ✓

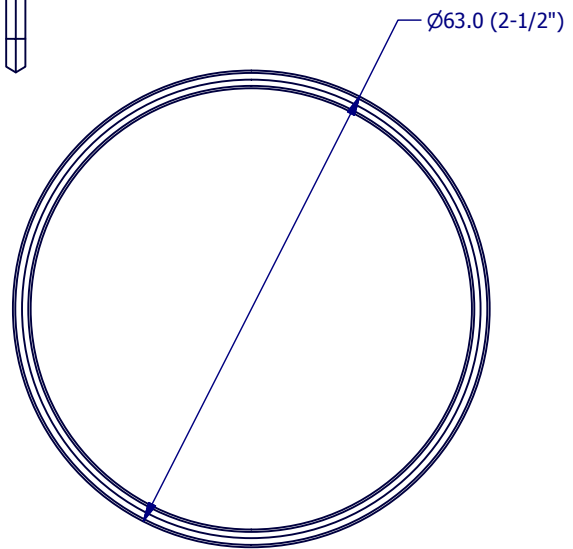
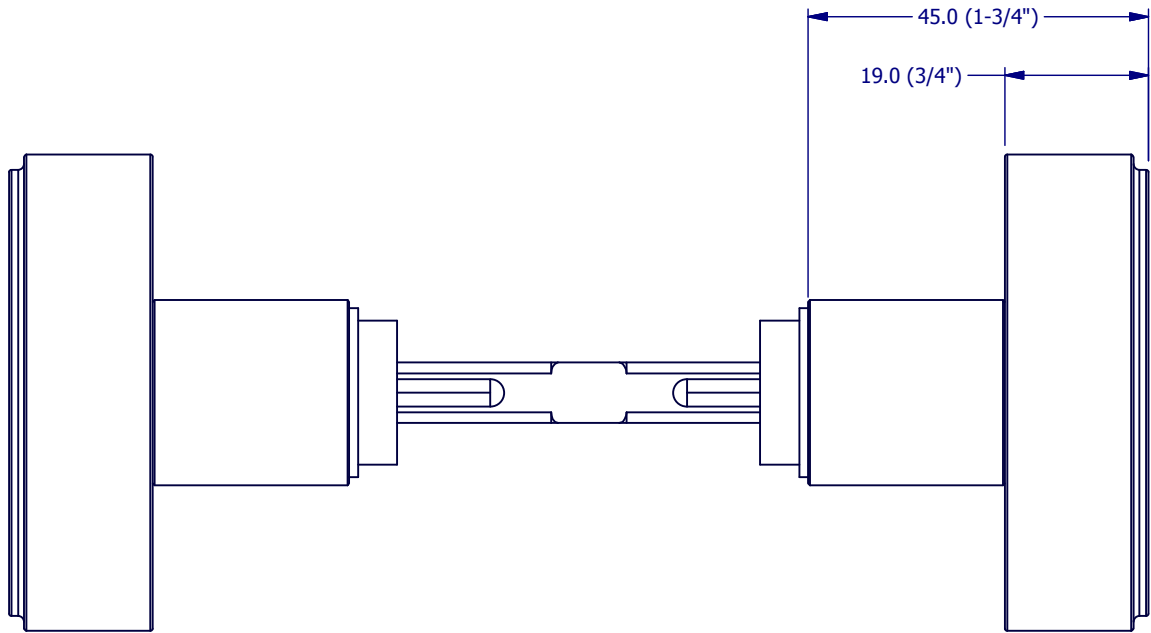
| |
|-----------------------------|
| UP TO 6 ± 0.10 |
| OVER 6 UP TO 30 ± 0.20 |
| OVER 30 UP TO 120 ± 0.30 |
| OVER 120 UP TO 315 ± 0.50 |
| OVER 315 UP TO 1000 ± 0.50 |
| OVER 1000 UP TO 2000 ± 0.50 |

| | | | |
|------------|----------|----------|----------|
| MATERIAL | VARIOUS | SCALE | NTS |
| BRASS MASS | 1.188 kg | DRAWN BY | A.PRICE |
| TREATMENT | | DATE | 30.06.15 |
| FINISH | VARIOUS | CHECKED | AD |

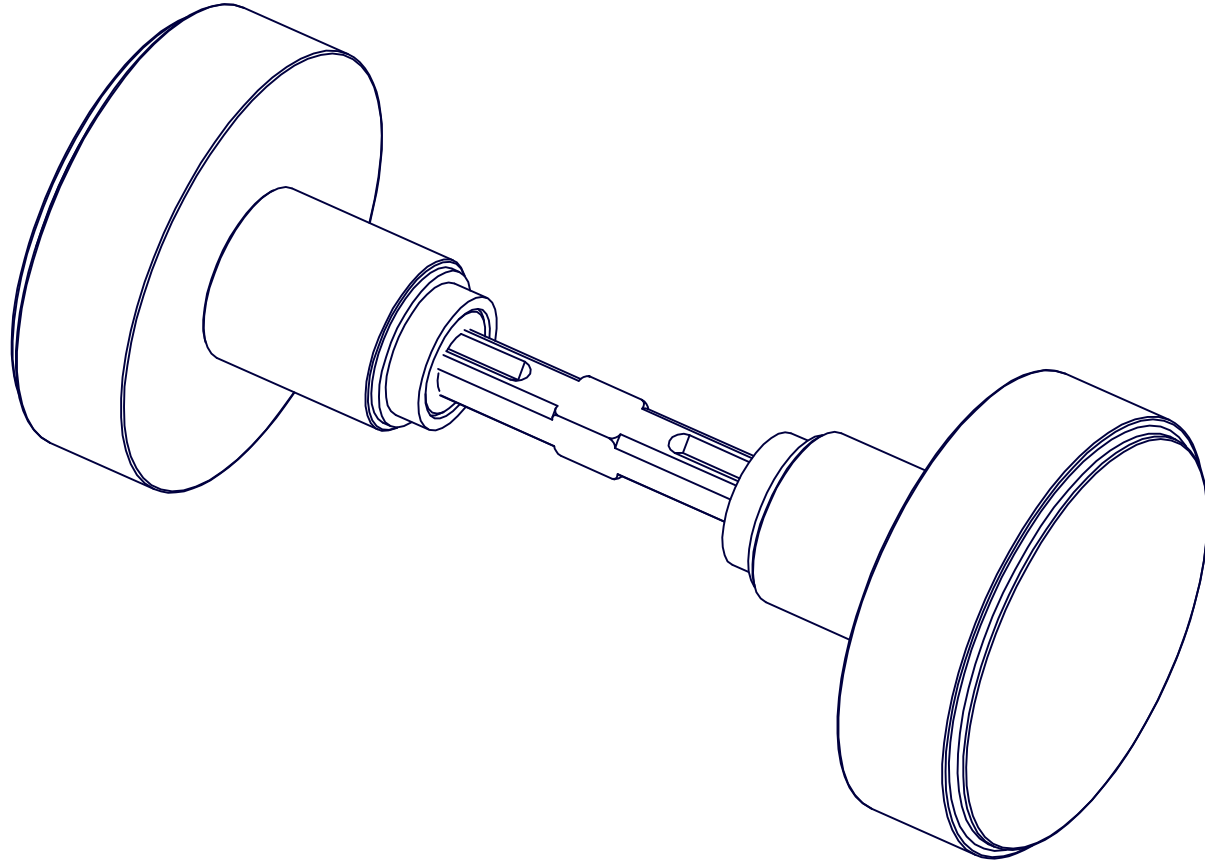
TITLE: DOOR KNOB SET
 PROJECT: 940



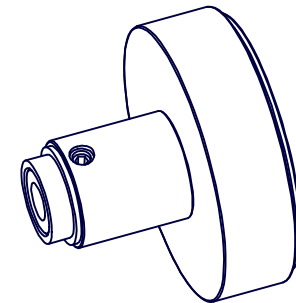
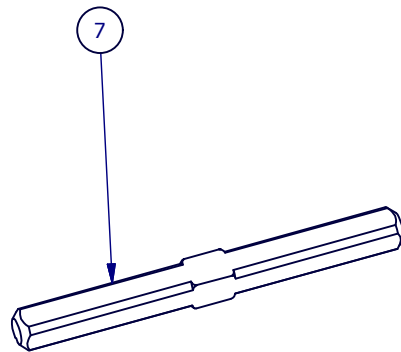
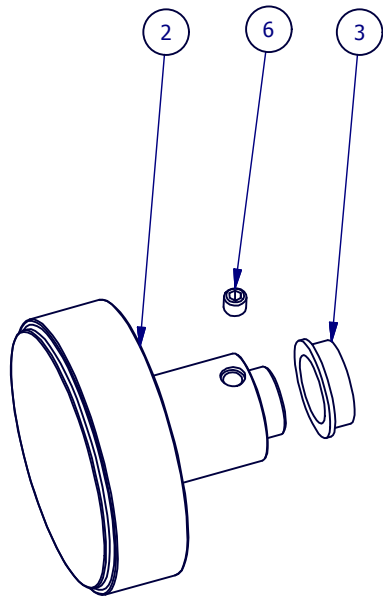
| | |
|----------|------------------|
| A4 | THIRD ANGLE PROJ |
| ISS DATE | 20.07.15 |
| ISS NO | 2 |
| SHEET | 1 |
| DRG No | P8065-B |



| | | | | | | |
|----------------------------|--------|---------|-----------|---------|------------|----------|
| PROPERTY OF SAMUEL HEATH © | | | DESIGNER | A.PRICE | | |
| A4 | DRG No | P8065-B | ISSUE NO. | 2 | ISSUE DATE | 20.07.15 |



| | | | | | |
|----------------------------|--------|---------|-----------|---------|---------------------|
| PROPERTY OF SAMUEL HEATH © | | | DESIGNER | A.PRICE | |
| A4 | DRG No | P8065-B | ISSUE NO. | 2 | ISSUE DATE 20.07.15 |



| | | | | | |
|----------------------------|--------|---------|-----------|---------|---------------------|
| PROPERTY OF SAMUEL HEATH © | | | DESIGNER | A.PRICE | |
| A4 | DRG No | P8065-B | ISSUE NO. | 2 | ISSUE DATE 20.07.15 |