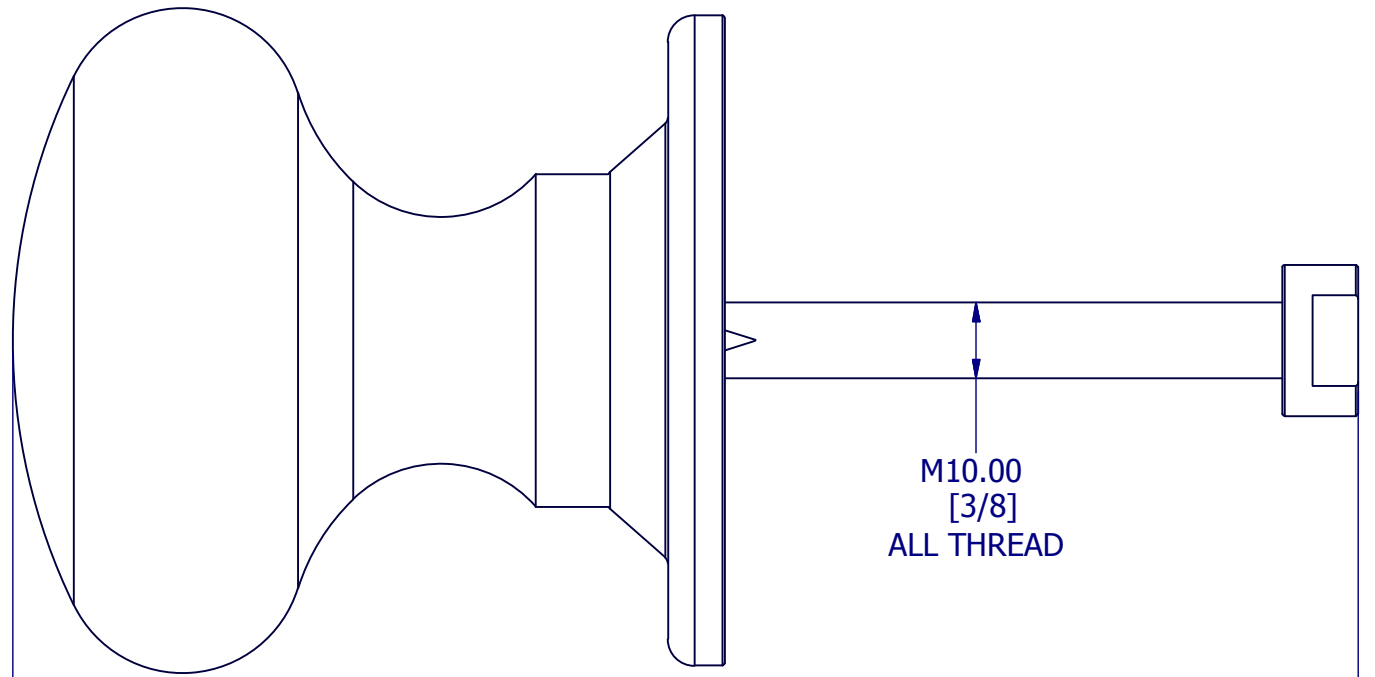


Ø88.00
[3 7/16]



177.90
[7]

M10.00
[3/8]
ALL THREAD

PROPERTY OF SAMUEL HEATH ©			DESIGNER	ALI SHAMI	
A4	DRG No	P2132B	ISSUE NO.	A	ISSUE DATE 29/11/13