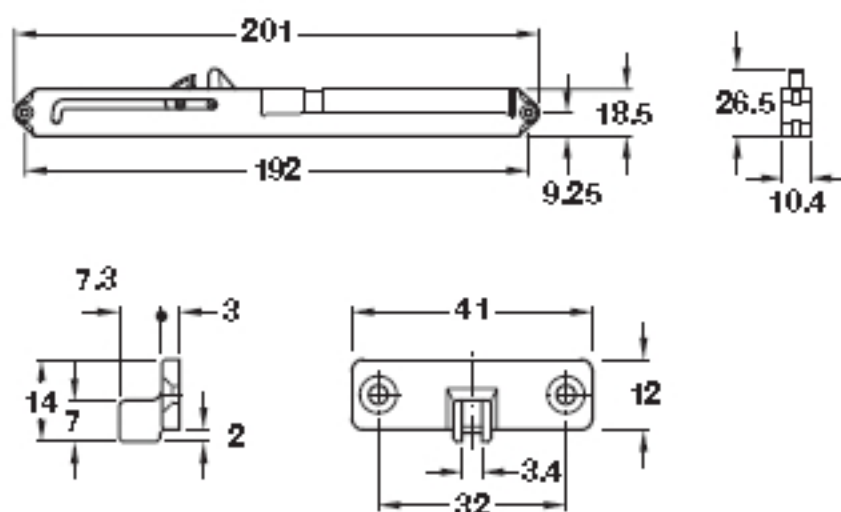


Smuso soft and self closing mechanism

With follower for wooden drawers

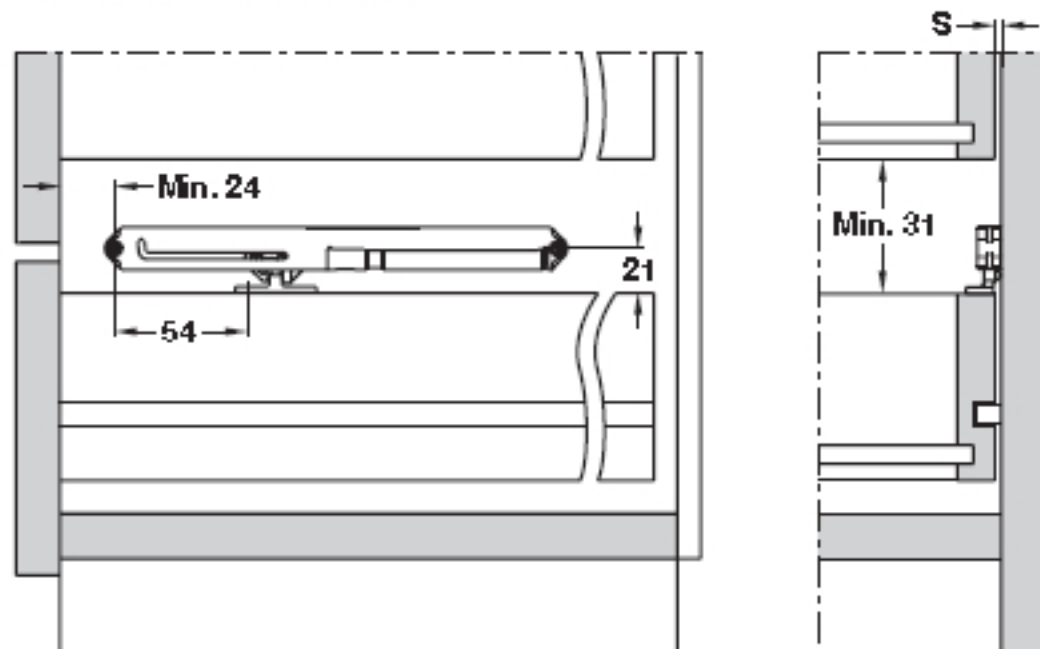


smuso



Follower for wooden drawers

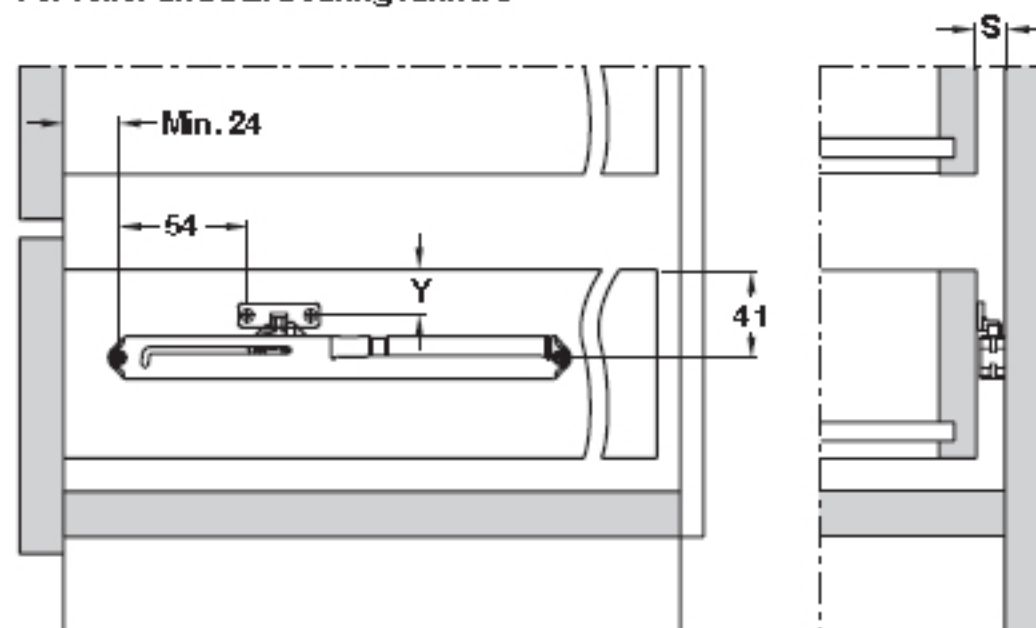
For groove mounted runners



- > Note: The installation on one side or both sides is determined by the installation situation (width, depth, running properties and load bearing capacity of the runners).
- > Always use 2 soft closing mechanisms for drawers wider than 400 mm or if the drawer's depth exceeds its width.

Installation

For roller and ball bearing runners



Gap width $S = 12$ to 15 mm

Not self closing
(without lowering)

Self closing

$Y = 21$ mm

$Y = 23$ mm

- > For use on roller runners, ball bearing runners without retainer retention or groove mounted runners
- > Max. 25 kg load bearing capacity with one sides installation or 50 kg with two sided installation
- > Installation: On one or both sides, soft and self closing mechanism for screw fixing to cabinet side panel, follower for screw fixing to drawer side
- > Light grey and black plastic
- > Order qty: 1 pc

