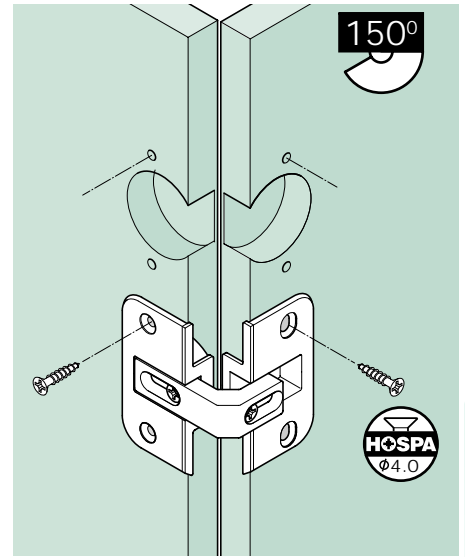
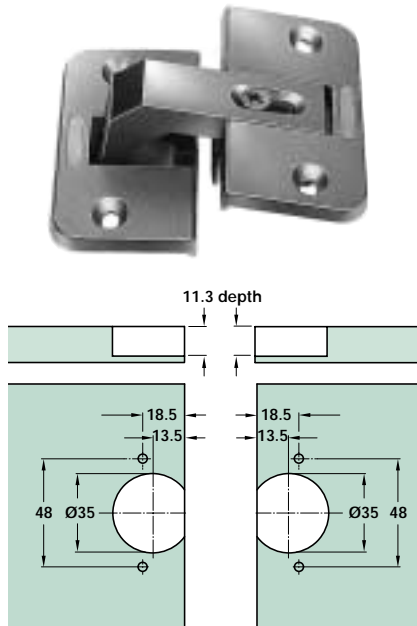


Pie-cut Corner Hinges

Dimensions in mm



- Pie-cut corner hinge
- Opening angle 150°
- For variable door thickness 15 to 24 mm
- Ø 35 mm cup
- Screw fixing
- Adjustable in 3 directions
- Nickel-plated zinc alloy hinge
- Designed to leave a small gap for air circulation
- **Wide angle hinges** are shown on pages 13, 31 and 32

Pie-cut corner hinge

Cat. No.	343.90.700
Packing:	10 pcs

Mounting screws
Hospa chipboard screws
countersunk head
Ø 4.0 mm
with cross slots



Finish: Nickel-plated steel

Length	Cat.No.
15 mm	015.35.824
17 mm	015.35.833
20 mm	015.35.842

Packing: 1000 pcs

