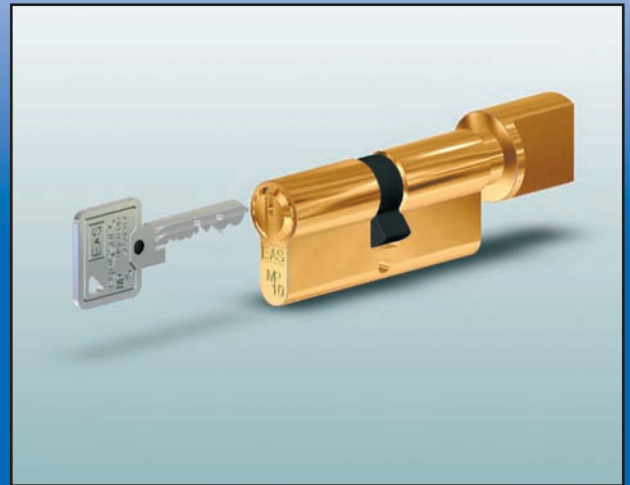
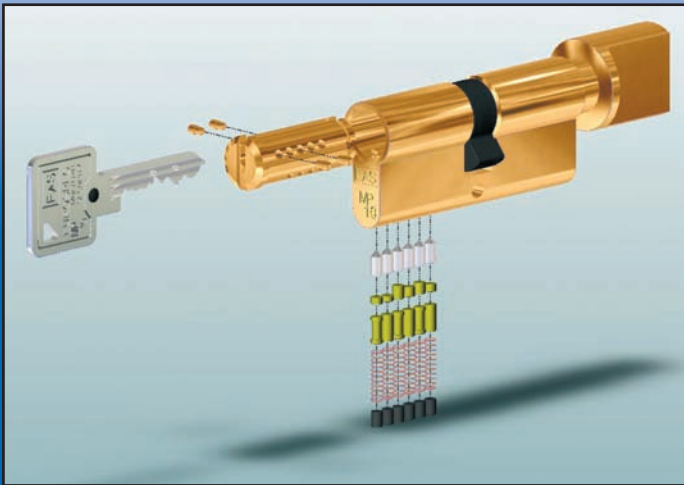


INTRODUCING THE NEW RANGE OF MP10 HIGH SECURITY CYLINDERS FROM



SDS LONDON LTD
www.sdslondon.co.uk

**MP
10**



ALL STANDARD PROFILES AVAILABLE INCLUDING PADLOCKS - CALL SALES ON 020 7228 1185 FOR FURTHER INFORMATION

HARD WEARING 10 PIN NICKEL SILVER KEYS

- COLOUR CODED INSERTS FOR EASE OF RECOGNITION (GREEN, BLUE, RED AND BLACK)
- EXTENDED NECK FOR USE WITH SECURITY ESCUTCHEONS
- DIFFER NUMBERS STAMPED ON KEYS FOR EASE OF RE-ORDERING
- OVER 200 POSSIBLE KEY PROFILES
- OVER 2 MILLION KEY DIFFERS
- SPECIALLY DESIGNED UNIQUE KEYWAY
- RESTRICTED KEY SECTION (KEYS ONLY AVAILABLE THROUGH APPROVED DISTRIBUTORS)
- EXTENSIVE MASTER KEYING CAPABILITIES



HIGH QUALITY, HIGH SECURITY 10 PIN CYLINDER OFFERING:

- ANTI PICK 1 - SPECIAL ANTI-PICK PINS IN CYLINDER
- ANTI PICK 2 - MULTI-PIN SECURITY OFFERS 3 SETS OF CYLINDER PINS (TOP, LEFT AND RIGHT)
- ANTI PICK 3 - UNIQUE KEY SECTION TO FRUSTRATE THE USE OF MANY CYLINDER LOCK PICKS
- ANTI-DRILL (STAINLESS STEEL HARDENED INSERTS IN CYLINDER HOUSING AND PLUG)
- SPECIAL MILLING ON CYLINDER FRONT FOR ADDITIONAL KEY STRENGTH
- 3 ARCHITECTURAL FINISHES (PB, PC AND SC)
- CONSTRUCTION KEY OR CHANGE KEY CAPABILITIES
- TESTED TO BS EN 1303 SECURITY GRADE 4



SDS LONDON Tel: 020 7228 1185 Web: www.sdslondon.co.uk