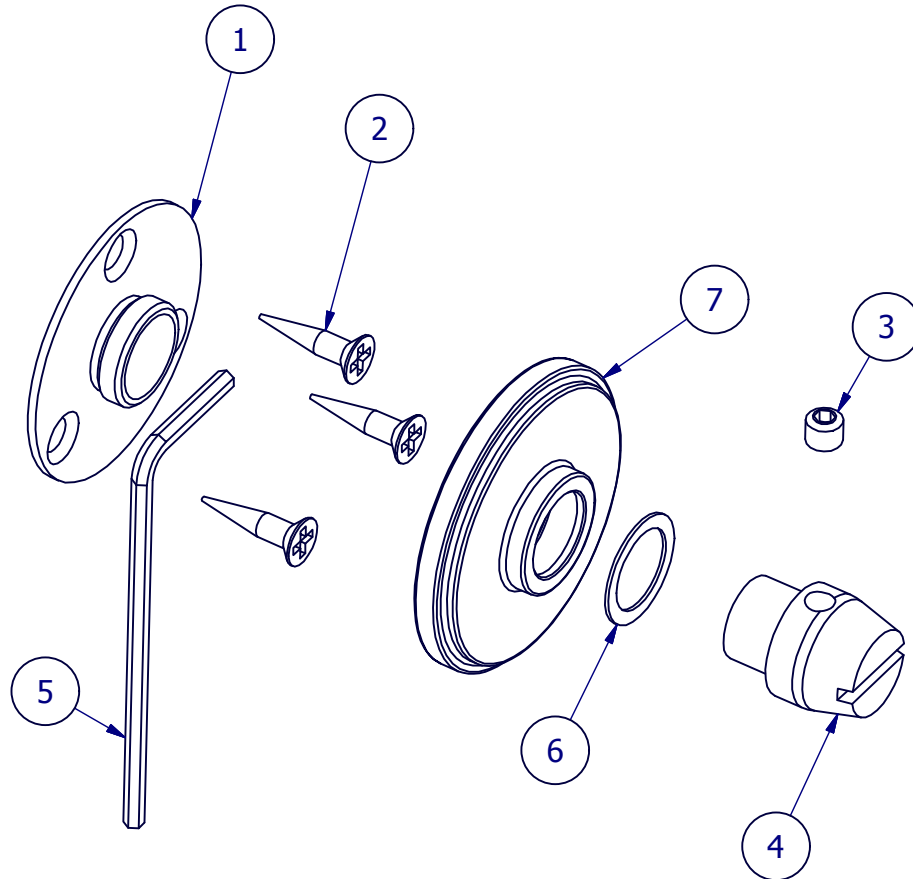


Parts List

ITEM	QTY	PART NUMBER	DESCRIPTION
1	1	1-5933	CHASSIS
2	3	9-2201	No.4 X 1/2" CSK ZP POZI TWINS
3	1	9-2339	M4x4 - SOCKET SET SCREW, CONE POINT SS
4	1	1-5892	COIN RELEASE
5	1	9-2277	ALLEN KEY - 2mm
6	1	9-1632	WASHER
7	1	1-9068	



TOLERANCES UNLESS STATED
 DIMENSIONS ARE IN MILLIMETRES
 SURFACE TEXTURE VALUES ARE IN MICROMETRES
 MACHINE WHERE MARKED ✓

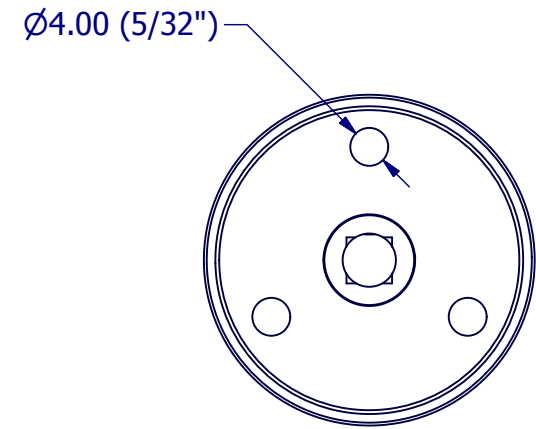
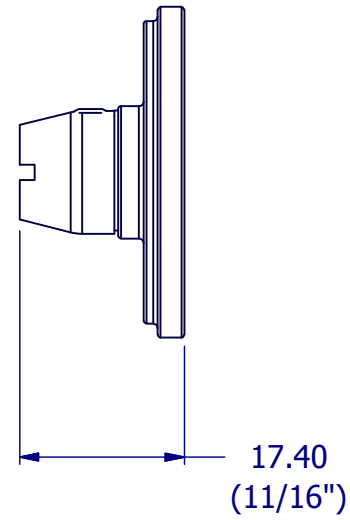
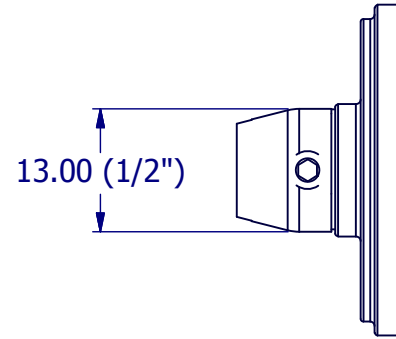
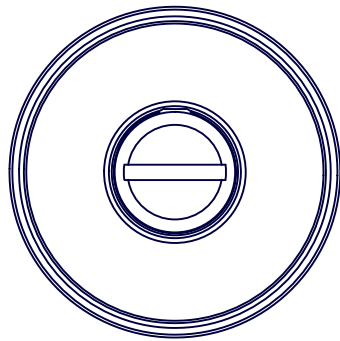
UP TO 6 ± 0.10
 OVER 6 UP TO 30 ± 0.20
 OVER 30 UP TO 120 ± 0.30
 OVER 120 UP TO 315 ± 0.50
 OVER 315 UP TO 1000 ± 0.50
 OVER 1000 UP TO 2000 ± 0.50

MATERIAL	VARIOUS	SCALE	NTS
BRASS MASS	0.013 kg	DRAWN BY	A.PRICE
TREATMENT		DATE	29.06.15
FINISH	VARIOUS	CHECKED	AD

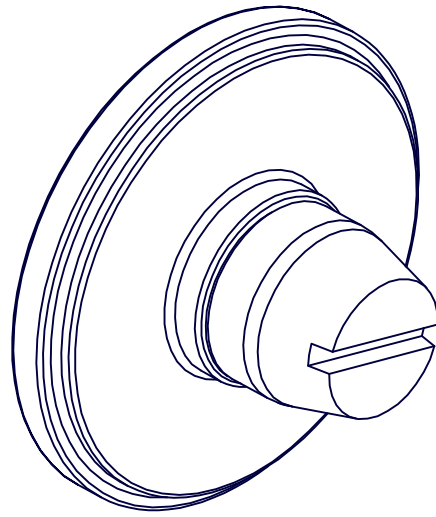
TITLE: COIN RELEASE
 PROJECT: 940



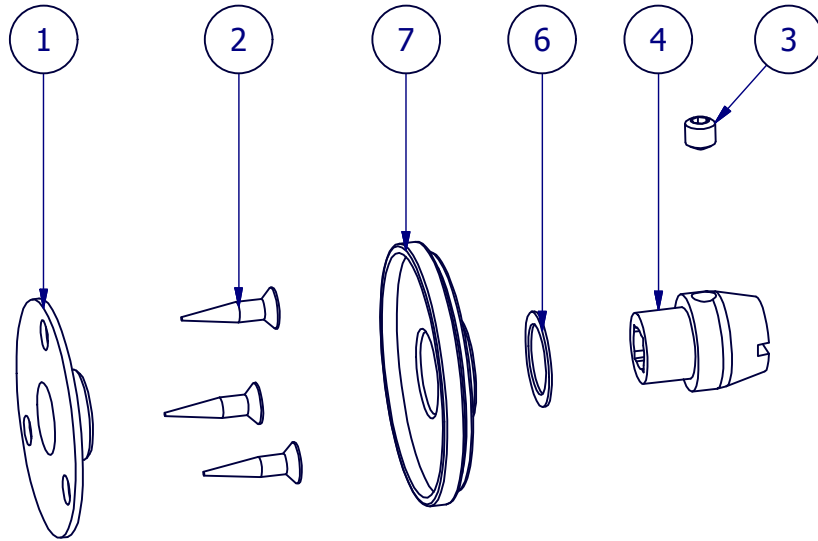
A4	THIRD ANGLE PROJ
ISS DATE	29.06.15
ISS NO	1
SHEET	1
DRG No	P8165-CR



PROPERTY OF SAMUEL HEATH ©			DESIGNER	A.PRICE		
A4	DRG No	P8165-CR	ISSUE NO.	1	ISSUE DATE	29.06.15



PROPERTY OF SAMUEL HEATH ©			DESIGNER	A.PRICE		
A4	DRG No	P8165-CR	ISSUE NO.	1	ISSUE DATE	29.06.15



PROPERTY OF SAMUEL HEATH ©			DESIGNER	A.PRICE	
A4	DRG No	P8165-CR	ISSUE NO.	1	ISSUE DATE 29.06.15