

HEAVY DUTY SOFT-DOWN STAY



HDS-20

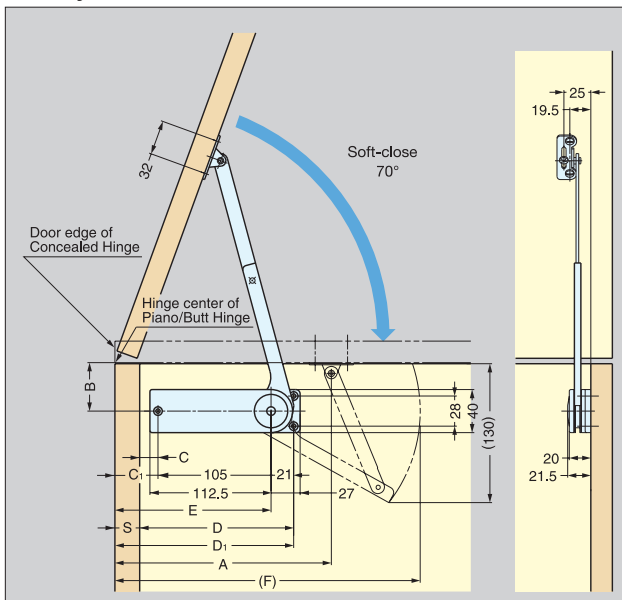
LID SUPPORTS

HEAVY DUTY SOFT-DOWN STAY

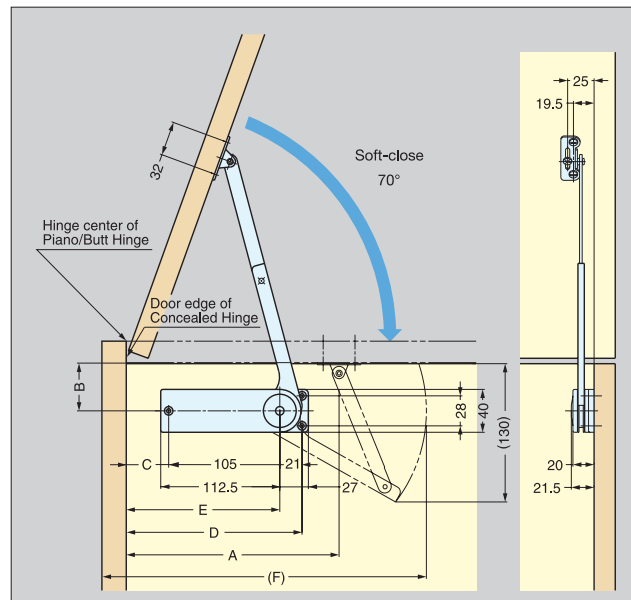


- For TOP-OPENING FLAP DOOR with piano, butt or concealed hinges.
- Used in pairs
- HDS-20 is designed to hold door in fully opened position.
- Torque Calculation :
 $\text{Torque} = \text{Door Height} \times 1/2 \times \text{Door Weight}$
 K-Type (Light Duty) : 140~200kg-cm (121~173 lbs-inch) / pair
 M-Type (Medium Duty) : 200~250 kg-cm (173~216 lbs-inch) / pair
 H-Type (Heavy Duty) : 250~300 kg-cm (216~260 lbs-inch) / pair

Overlay Use



Inset Use



Overlay Use

Hinge Type	A	B	C	D	C ₁	D ₁	E	F
Concealed Hinge	198.5	45	42-S	168-S	-	-	145	283.5
Piano / Butt Hinge			-	-	41	167	142.5	281

Inset Use

Hinge Type	A	B	C	D	E	F
Concealed Hinge	203	45	46	172	151	286
Piano / Butt Hinge			33	159	138	273

S=Overlay coverage in case of concealed hinge (mm)

Item No.		Type	Torque (kg-cm/pair)	Weight (g)	Box (pcs)	Carton (pcs)
Left	Right					
HDS-20KL	HDS-20KR	Light Duty	140~200	280	40	200
HDS-20ML	HDS-20MR	Medium Duty	200~250	290		
HDS-20HL	HDS-20HR	Heavy Duty	250~300	300		

Material	Finish/Color
Steel	Nickel
Plastic	Black, White