

OPTIMO REVER

BK-11



OPTIMO REVER practical, versatile and reversible

Structure kit for sliding door in plasterboard partition wall.
Easy assembly and installation with hardly any tools.
Small sized packaging, easing transport, storage and handling.

REVERSIBLE

Suitable for finished walls of 100mm and 125mm.

BOXKEL
MI-O

OPTIMO REVER



CROSSBAR COVERS



A moulded galvanized steel profile is fixed on the sliding guide to contain the plasterboard plate.

EASY AND EXACT ASSEMBLY



The mounting of the crossbars is fast and exact, thanks to the clipping of the elements that make up the structure.

MOULDED FRONT PROFILE



The front profiles of the frame are moulded and grooved to guarantee possible lateral flexing.

OPTIMO REVER

Presented in a packing of 223cm x 20cm x 12cm, which eases handling and transport.

Composed of crossbars, vertical posts, rollers, rail and other accessories for a quick and exact assembly and installation.

REVERSIBLE

The main differentiating component is the possibility of applying the same kit for finished walls of 100mm or 125mm with a simple 90° rotation.

CAPACITY

The running gear and the guide can support up to 160Kg.



OPTIMO REVER

A PRODUCT FOR TWO
WALL THICKNESSES:

100mm
125mm

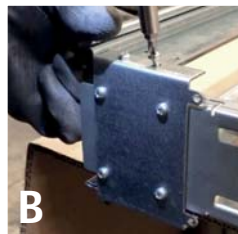


Turn the plate 90° to
modify wall thickness



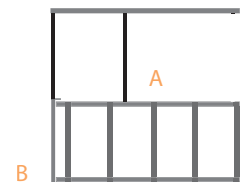
A

Turn plate 90°



B

Insert and fix the
thick plate on the
top cover



KIT CONTENT:

Structure



Crossbars



Vertical wooden post



Top rail



Running gear set



Accessories bag

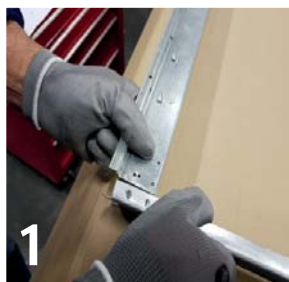


PRODUCT ASSEMBLY

OPTIMO REVER

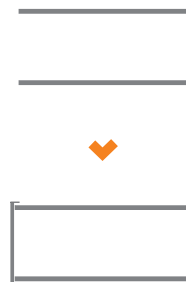
Designed specifically for plasterboard walls only. Tools needed:

- Screwdriver
- Hammer



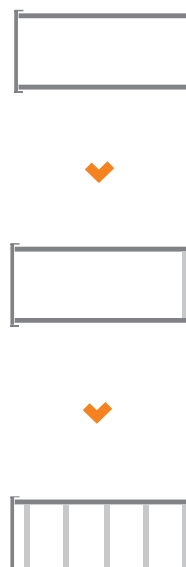
1 - 2 - 3

Place the top cover



4 - 5 - 6 - 7

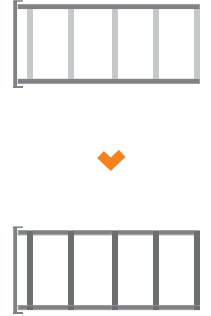
Mount the side supports and complete one side of the structure



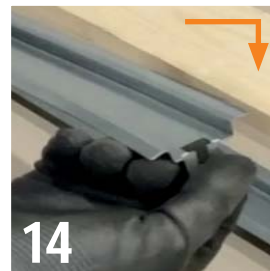
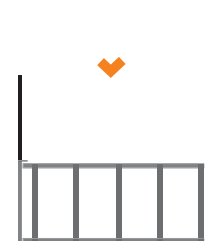
PRODUCT ASSEMBLY



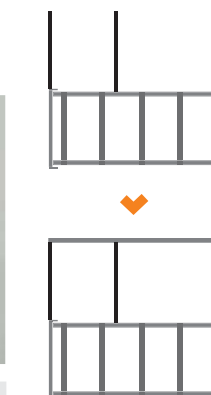
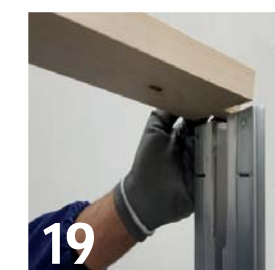
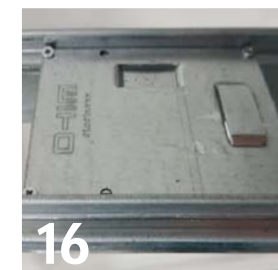
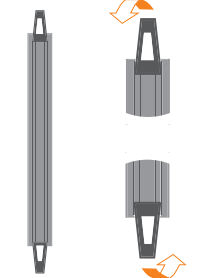
8 - 9
Repeat steps to complete other side



10 - 11 - 12
Insert guide in the top cover



13 - 14 - 15
Bend the flaps in the crossbars



16 - 17 - 18
Place and insert the crossbars



19 - 20 - 21
Insert upper guide on wooden vertical post

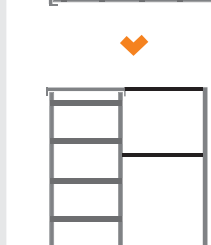
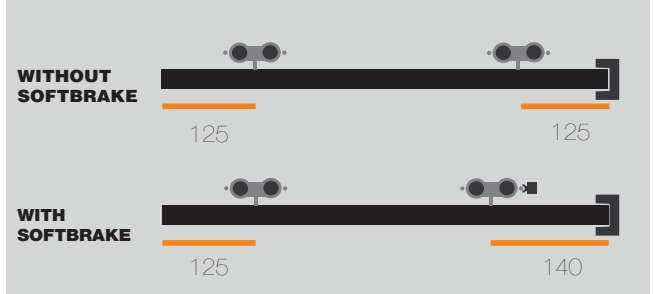
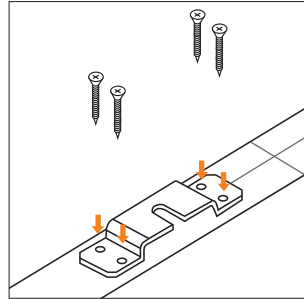
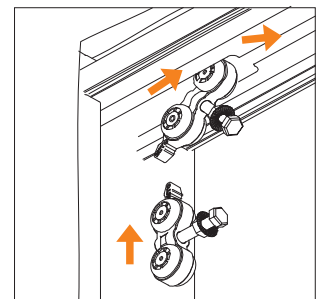
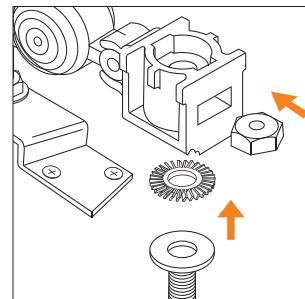
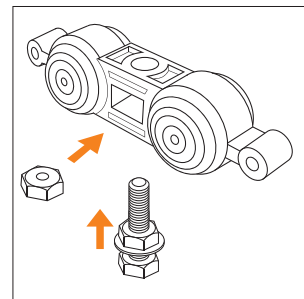


PLATE MOUNTING



ROLLER MOUNTING

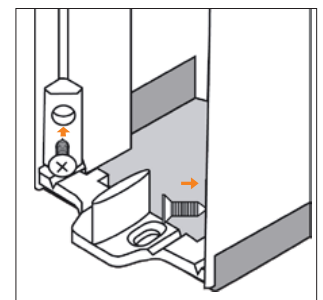
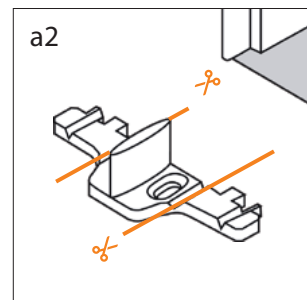
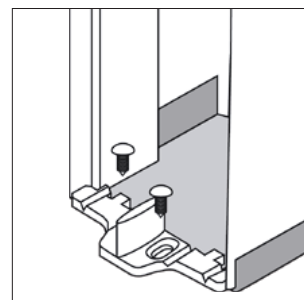
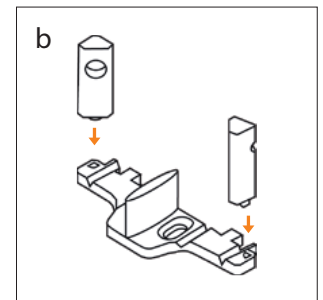
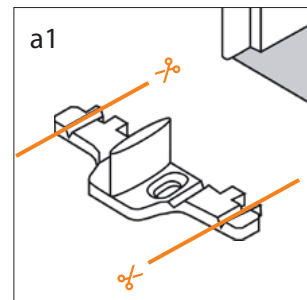
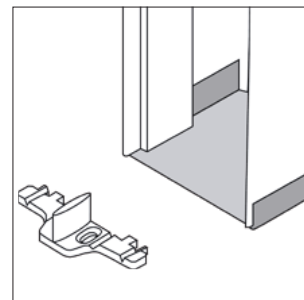


ROLLER MOUNTING



a1-a2
for plaster 90/125 /
145mm and plaster-
board 100mm cut
along the orange line
before proceeding with
the application.

b
it is also possible to fix
the nose piece directly
on the case

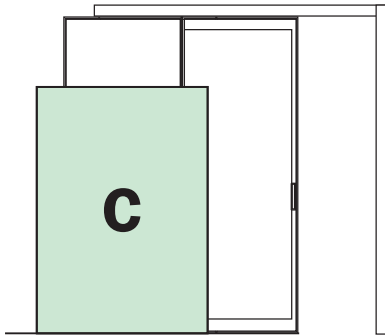




Standard sizes

WALL FINISHED IN: PLASTERBOARD

Measures and sizes
100 | 125 finished wall



Ref.	Max passage width		Door sizes		Overall sizes	
	Width	Height	Width	Height	Width	Height
99692050	600	2030	626	2040	1288	2115
99692051	700	2030	726	2040	1488	2115
99692052	800	2030	826	2040	1688	2115
99692053	900	2030	926	2040	1888	2115
99692054	1000	2030	1026	2040	2088	2115
99692055	585	1971	610	1981	1273	2056
99692056	661	1971	686	1981	1449	2056
99692057	737	1971	762	1981	1625	2056
99692058	813	1971	838	1981	1701	2056
99692059	900	1971	914	1981	1881	2056

Finished wall thickness	Internal size	External size	Min. door thickness	Max. door thickness
100	58	75,6	40	44
125	83	100,6	44	55

ORDER FORMAT

Width x height

Measures in millimetres

OPTIMO REVER **Boxkel**

BOXKEL
OPTIMO

www.boxkel.com

C/Bellmunt, 104
Poligono Industrial la Foradada
08580 San Quirze de Besora - Barcelona (SPAIN)
Tel. +34 93 852 97 15
boxkel@boxkel.com