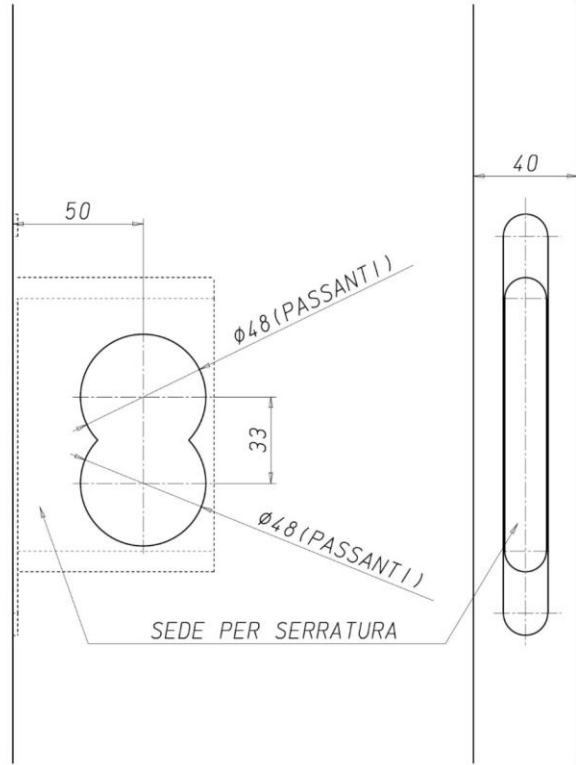
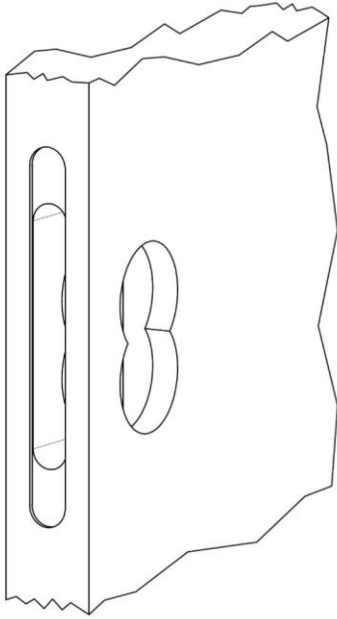
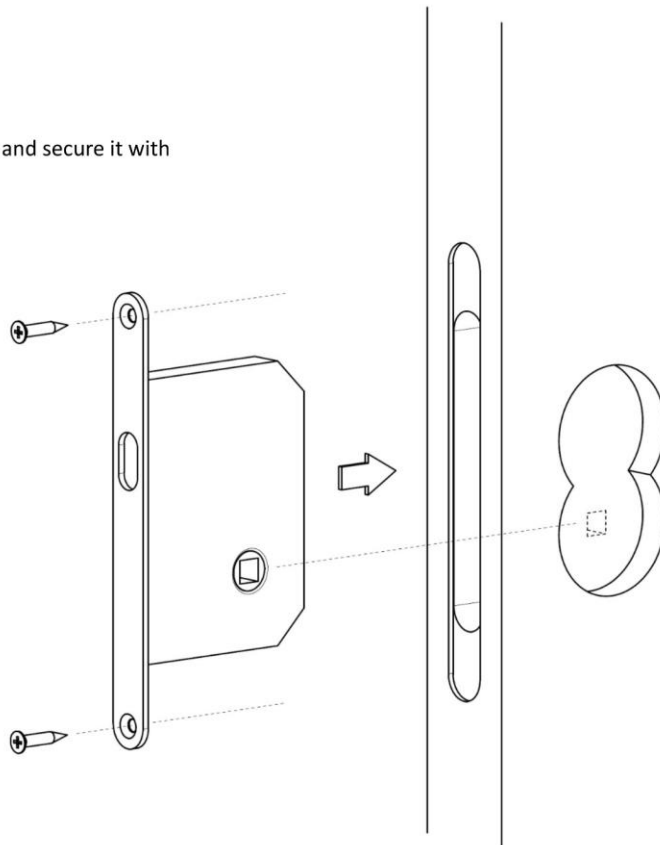


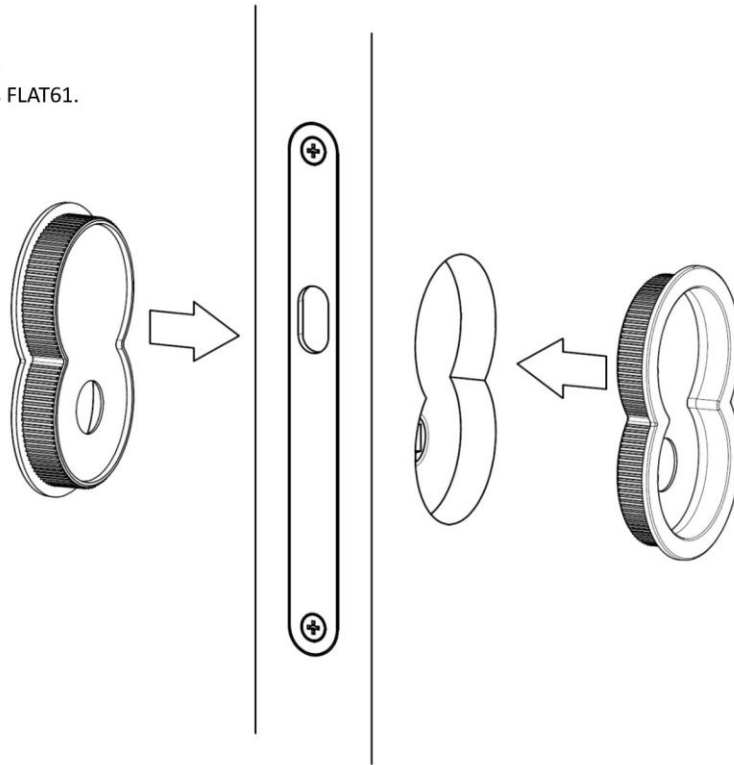
•Door preparation (see template)



•Install the lock in its seat and secure it with two (2) screws D4x20mm



•Install the two (2) plates FLAT61.



•Install the thumb turn from the inside of the room and the relative emergency release turn from the outside and insert the screw to secure the thumb turn.

