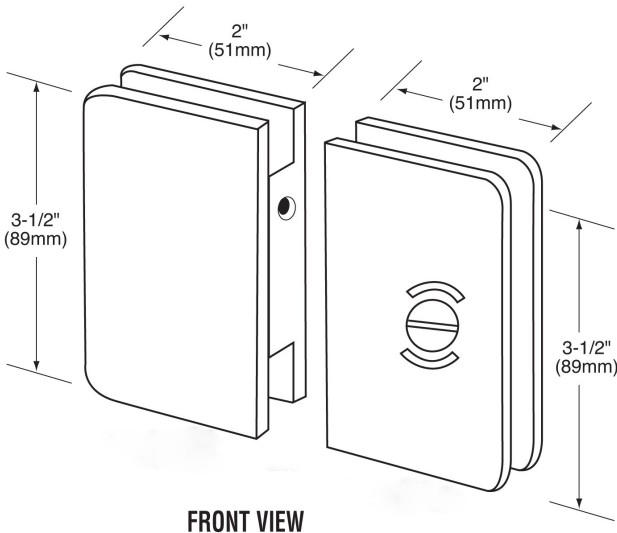


# Glass Door Lock with Indicator & Glass Door Keeper

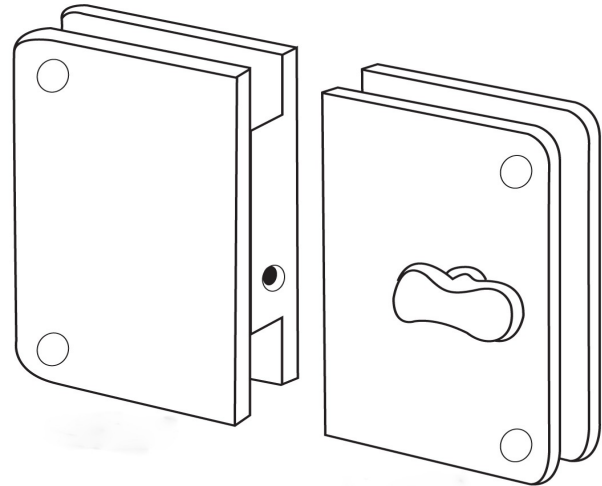
Suitable for Frameless Glass Doors



SDS LONDON



FRONT VIEW



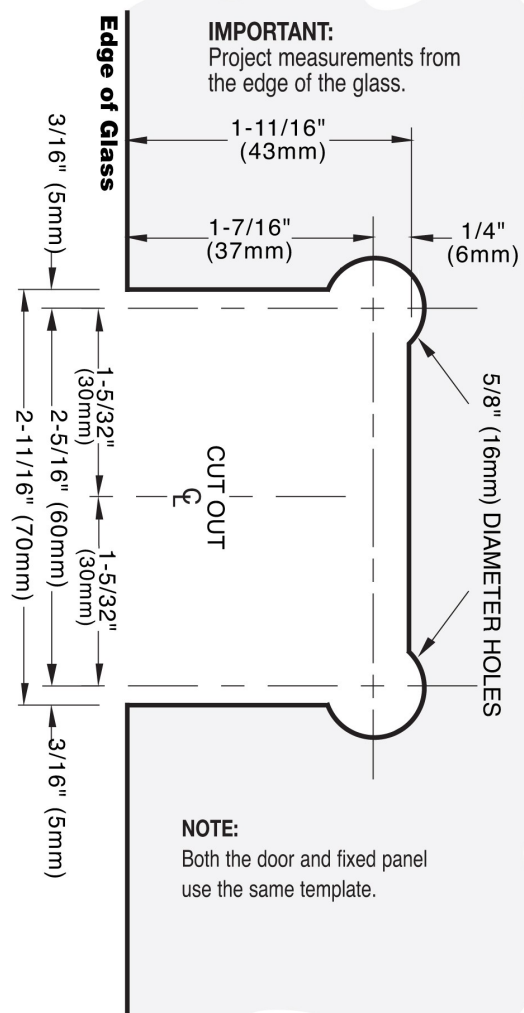
REAR VIEW

## Specifications

**Material:** Solid Brass **Standard Finish:** Satin Nickel

**Glass Thickness:** 6mm to 12mm

- Thumb turn/Indicator Display/Coin Release
- Standard Lock is Glass to Wall, optional Glass to Glass Keeper Available
- Requires glass drilling & notching
- Additional finishes available: Polished Chrome, Polished Brass, Oil Rubbed Bronze
- When using Glass to Wall fixing, the minimum clearance between the door glass & wall/timber is 3mm, and the maximum clearance is 12mm. The standard recommended clearance is 5mm.
- When using glass-to-glass fixings, the clearance between panels is 1.5mm to 3mm.



[www.sdslondon.co.uk](http://www.sdslondon.co.uk)